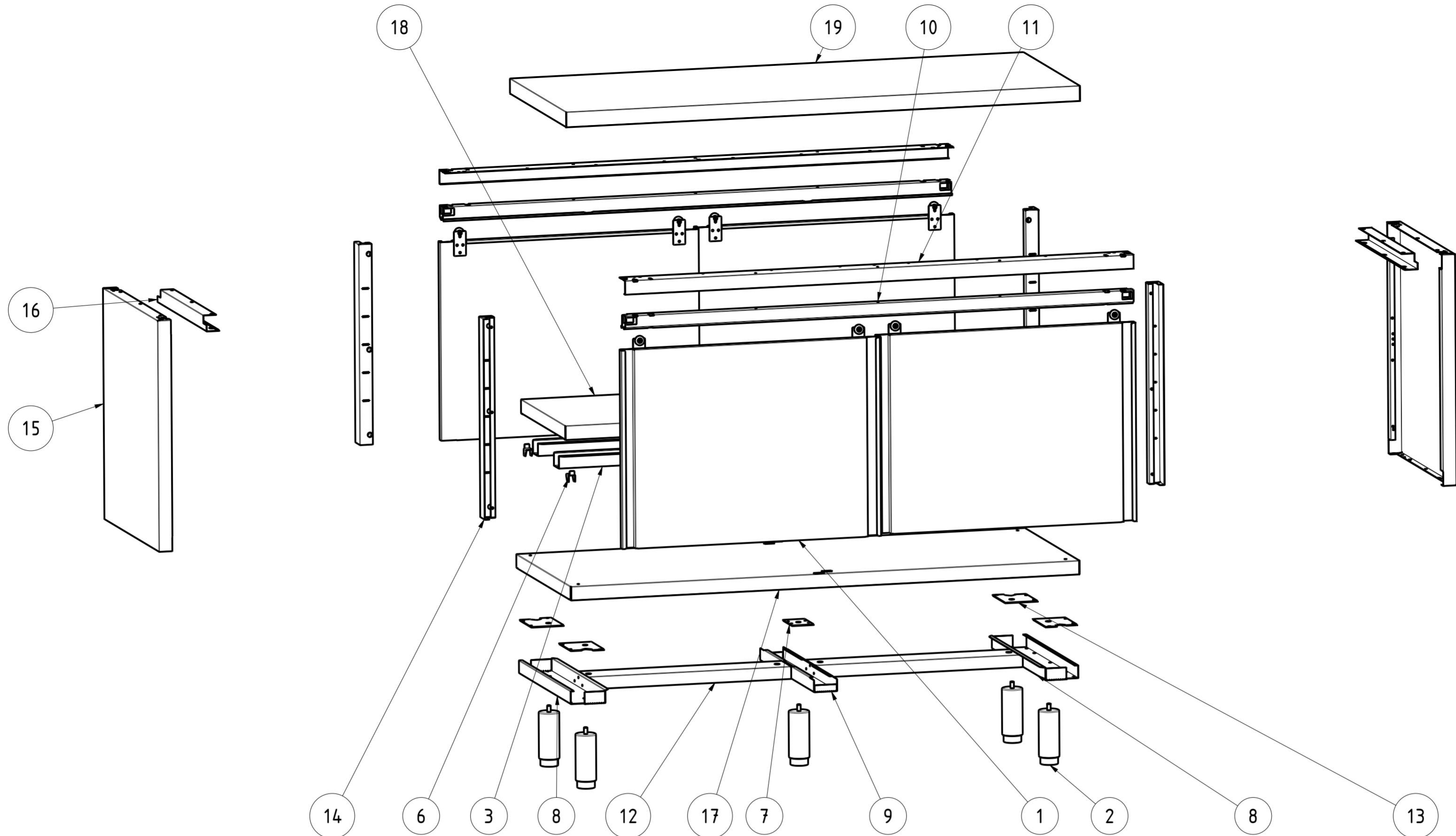


EXPLOSIONSZEICHNUNG



KBS Gastrotechnik GmbH – Schoßbergstraße 26 – 65201 Wiesbaden



19	NT3922Q	1	TOP Q 150x60	TOP Q 150x60
18	NT7664	1	PIANO INTERNO REGOLABILE TAP TF 150x60	INTERNAL ADJUSTABLE SHELF TAP 150x60
17	NT4405	1	PIANO BASE TAP 150x60	BASE SHELF TAP 150x60
16	NT4150	2	COLLEGAMENTO MONTANTI P60	UPRIGHT CONNECTION P60
15	NT4148	2	FIANCO DX/SX TAVOLO SU FIANCHI/PASSANTE P60	RIGHT SIDE / LEFT SIDE TABLE ON SIDES P60
14	NT4147	4	MONTANTE ASOLATO	HOLED UPRIGHT
13	NT4144	4	PIASTRA RIV PIEDINO PORTA BATTENTE	PLATE EXTERNAL LEG HINGED DOOR
12	NT4060	2	OMEGA LONGITUDINALE (DIV.2) L150	LONGITUDINAL OMEGA L150
11	NT3593	2	ANGOLARE SUPP. BINARIO L150	ANGULAR BINARY SUPPORT L150
10	NT3582	2	BINARIO TAVOLI ARMADIATI L150	BINARY L150
9	NT2353	1	OMEGA CENTR RIV. PIANO BASE P60	CENTRAL OMEGA BASE SHELF P60
8	NT2351	2	OMEGA LATERALE PIANO BASE P60	LATERAL OMEGA BASE SHELF P60
7	NT335	1	PIASTRA RINFORZO PER GAMBA CENTRALE	PLATE CENTRAL LEG
6	NT330	4	STAFFA SUPPORTO RIPIANO INTERNO	GANCRIIP - INTERNAL SHELF SUPPORT BRACKET
5	NT317	4	PAN. EST. ANTA SCORREVOLE PER PENSILE L150 H85	EXTERNAL SLIDING DOOR CABINET L150 H85
4	NT310	4	PAN. INT. ANTA SCORREVOLE PENSILE L150 H85	INTERNAL SLIDING DOOR CABINET L150 H85
3	NT186	2	OMEGA RINFORZO PIANO INTERNO L150	OMEGA SHELF RENINFORCEMENT L150
2	DSPIEDTA	5	PIEDINO PER TAVOLI ARMADIATI	FOOT FOR CABINET TABLES
1	APS_L150_H85	4	ASSIEME PORTE SCORREVOLI L150 H85	SLIDING DOORS ASSEMBLY L150 H85
ITEM NO	PART NUMBER	QTY	DESCRIPTION	

DATA	MODIF. N.	DESCRIZIONE MODIFICHE	DISegnATO	APPROVATO
DATE	MODIF. NO.	MODIFICATION DESCRIPTION	DRAWN BY	APPROVED
MODELLO	TAVOLO PASSANTE 150x60		DISegno N.	SCALA
MODEL	OPEN TABLE SLIDING DOORS 150x60		DRAWING NO. DSTAP156	SCALE -
PARTICOLARE	SCHEDA TECNICA		DISegnATO	DATA
DETAIL	DATA SHEET		DRAWN BY M.PAPI	DATE -
MATERIALE	SPESS.	APPROVATO	SHEET	
MATERIAL	THICK.	APPROVED	3 OF 4	
FINITURA	PEZZI N.	SOSTITUISCE IL DIS. N.	ULTIMA EMISS.	
FINISH	PIECES NO.	IT REPLACES DRAWING NO.	LAST EDITION	
TRATTAMENTO	COLORE	SOSTITUITO DAL DIS. N.		
TREATMENT	COLOR	REPLACED BY DRAWING NO.		
RISTOPRO		RISTOPRO SRL		
PROFESSIONAL CATERING EQUIPMENT		FRAZ. BORGO TUFICO, 47 FABRIANO (AN)		
		ITALY +39.732.043494		
		WWW.RISTOPRO.COM		mm

ELABORATO CON SISTEMA CAD
 DESIGNED BY CAD/STEM
 QUOTA PRIMARIA
 PRIMARY DIMENSION
 XX
 ANGOLI
 Angles
 >500
 >±0.75
 400-500
 >±0.65
 315-400
 >±0.60
 250-315
 >±0.55
 120-180
 >±0.45
 80-120
 >±0.40
 30-50
 >±0.30
 10-18
 >±0.20
 5-10
 >±0.15
 0-5
 >±0.10
 LUNGHEZZE E DIAM.
 LENGTH AND DIAM.
 TOLLERANZA UNLESS OTHERWISE STATED
 QUOTE SENZA TOLLERANZA
 DIMENSIONS WITHOUT TOLERANCES
 FORM.A-2