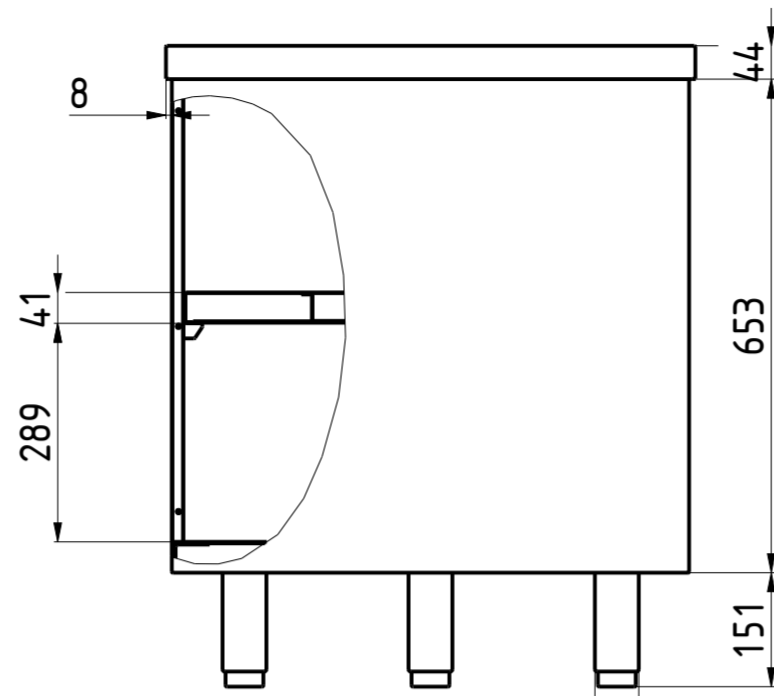
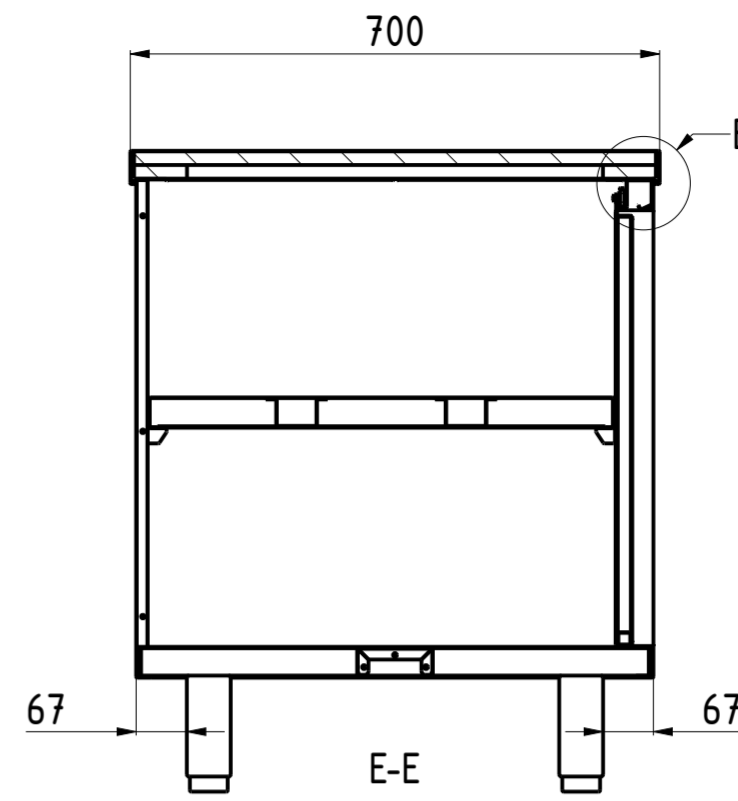


C-C 1:10

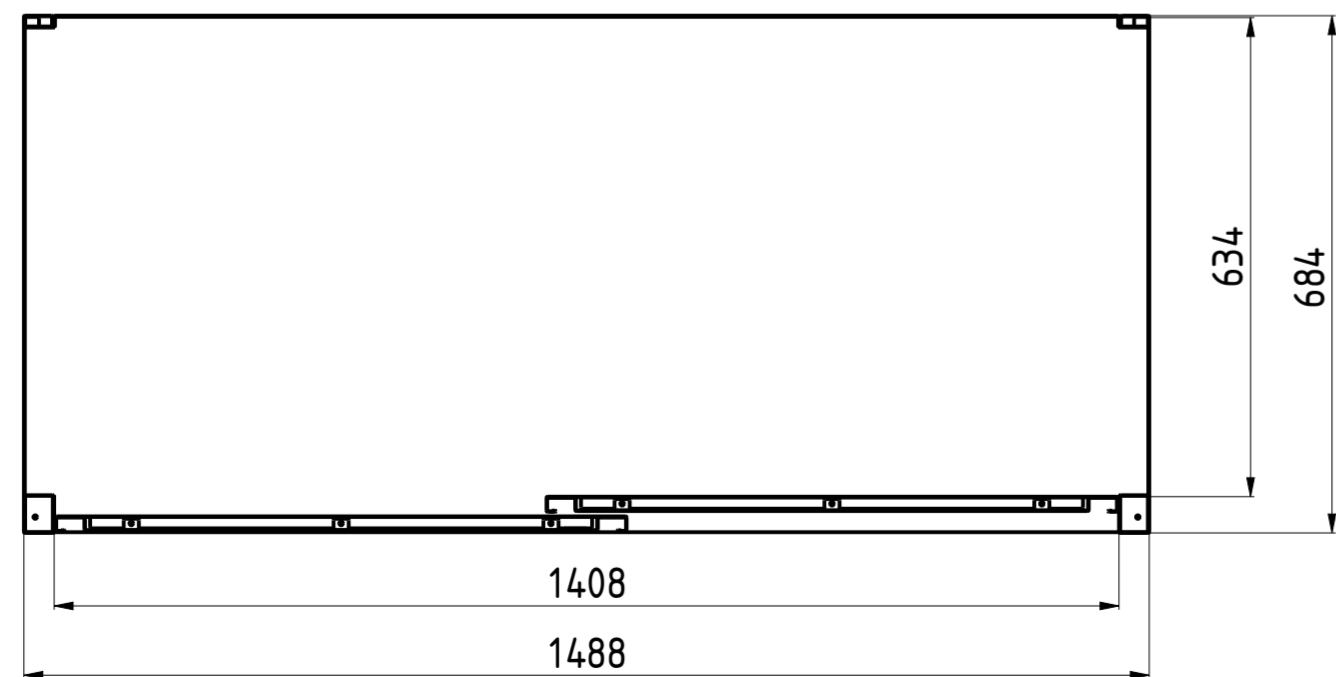


A-A

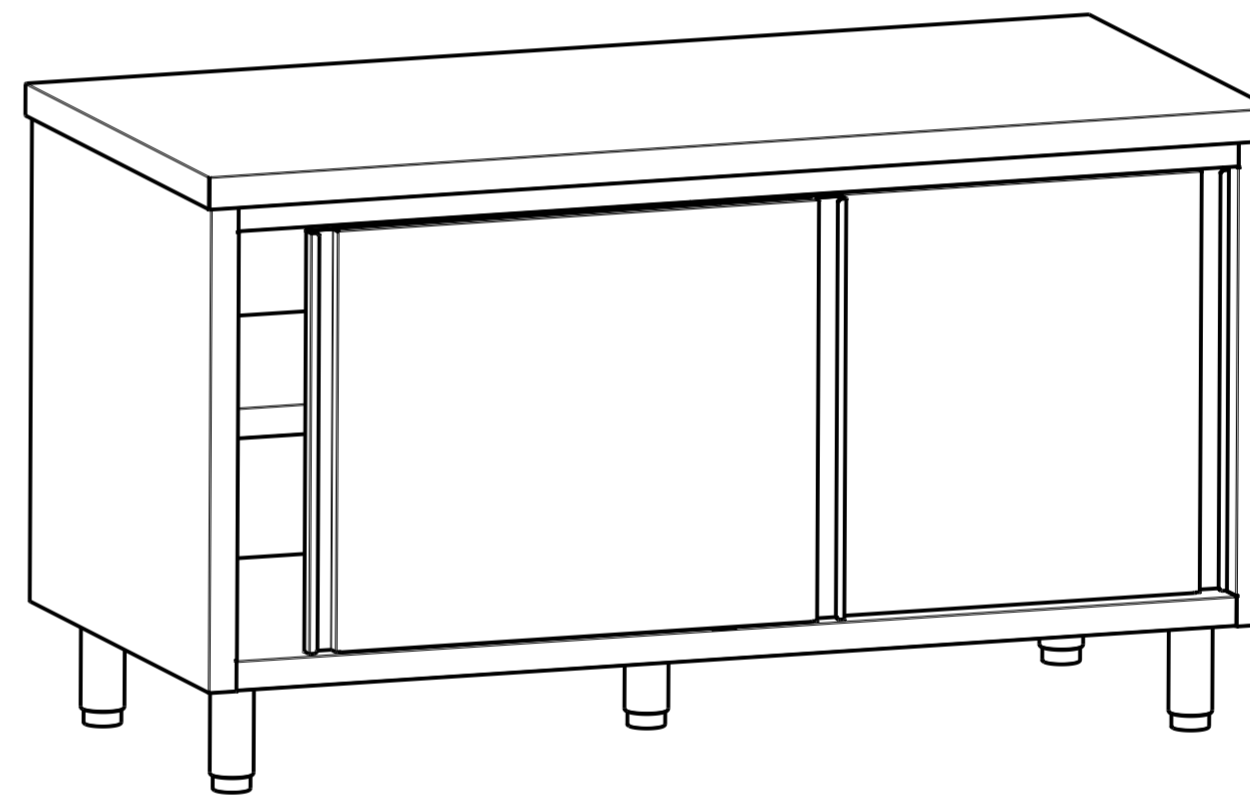


E-E

B 1:2



INTERNAL DIM  
D-D



DATA DATE	MODIF. N. MODIF. NO.	DESCRIZIONE MODIFICHE MODIFICATION DESCRIPTION	DISegnATO DRAWN BY	APPROVATO APPROVED
MODELLO MODEL	TAVOLO ARMADIATO 150x70 TABLE CABINET 150x70		DISEGNO N. DRAWING NO. DSTA157	SCALA SCALE -
PARTICOLARE DETAIL	SCHEDA TECNICA DATA SHEET		DISEGNATO DRAWN BY M.PAPI	DATA DATE -
MATERIALE MATERIAL	SPESS. THICK. -		APPROVATO APPROVED	SHEET 3 OF 4
FINITURA FINISH	PEZZI N. PIECES NO.	SOSTITUISCE IL DIS. N. IT REPLACES DRAWING NO.		ULTIMA EMISS. LAST EDITION
TRATTAMENTO TREATMENT	COLORE COLOUR	SOSTITUITO DAL DIS. N. REPLACED BY DRAWING NO.		
<b>RISTOPRO</b> PROFESSIONAL CATERING EQUIPMENT		RISTOPRO SRL FRAZ. BORGO TUFICO, 47 FABRIANO (AN) ITALY +39.732.043494 WWW.RISTOPRO.COM		 mm

ELABORATO CON SISTEMA CAD  
 DESIGNED BY CAD/STEM  
 QUOTA PRIMARIA  
 PRIMARY DIMENSION  
 XX  
 ANGOLI  
 Angles  
 30°  
 >500  
 ±0.75  
 400-500  
 ±0.65  
 315-400  
 ±0.60  
 250-315  
 ±0.55  
 180-250  
 ±0.50  
 120-180  
 ±0.45  
 80-120  
 ±0.40  
 50-80  
 ±0.35  
 30-50  
 ±0.30  
 18-30  
 ±0.25  
 10-18  
 ±0.20  
 5-10  
 ±0.15  
 0-5  
 ±0.10  
 LUNGHEZZE E DIAM.  
 LENGTH AND DIAM.  
 TOLLERANZA UNLESS OTHERWISE STATED  
 TOLERANCE  
 QUOTE SENZA TOLLERANZA  
 DIMENSIONS WITHOUT TOLERANCE  
 FORM.A-2