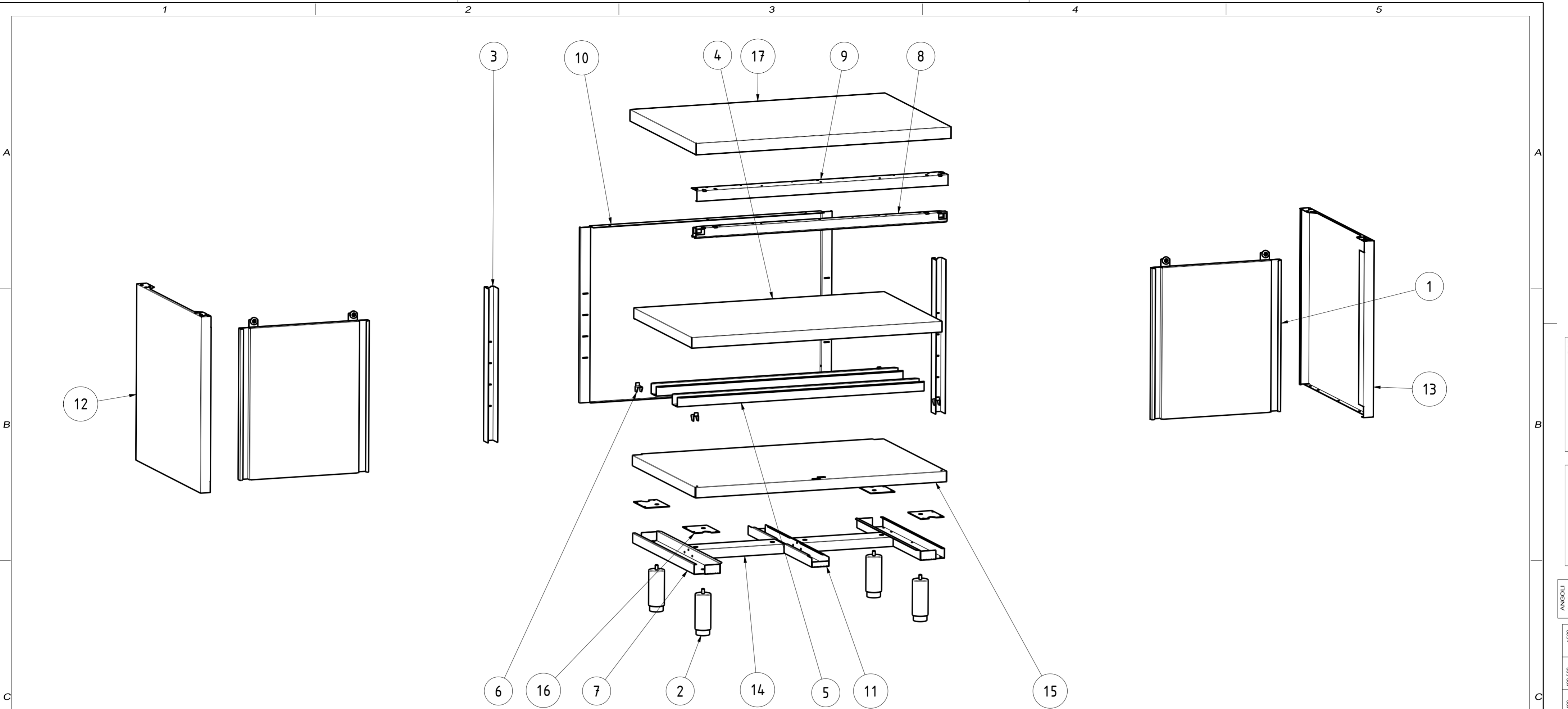


EXPLOSIONSZEICHNUNG



KBS Gastrotechnik GmbH – Schoßbergstraße 26 – 65201 Wiesbaden



17	NT3932Q	1	TOP Q 100x70	TOP Q 100x70
16	NT4144	4	PIASTRA RIV PIEDINO PORTA BATTENTE	PLATE EXTERNAL LEG HINGED DOOR
15	NT4076	1	PIANO BASE 100x70	BASE SHELF 100x70
14	NT4056	2	OMEGA LONGITUDINALE (DIV.2) L100	LONGITUDINAL OMEGA L100
13	NT4046	1	PANNELLO LATERALE DX P70 H85	RIGHT SIDE PANEL P70 H85
12	NT4044	1	PANNELLO LATERALE SX P70 H85	LEFT SIDE PANEL P70 H85
11	NT4033	1	OMEGA CENTR RIV. PIANO BASE P70	CENTRAL OMEGA BASE SHELF P70
10	NT3628	1	SCHIENALE L100 H85	BACK L100 H85
9	NT3588	1	ANGOLARE SUPP. BINARIO L100	ANGULAR BINARY SUPPORT L100
8	NT3577	1	BINARIO TAVOLI ARMADIATI L100	BINARY L100
7	NT2450	2	OMEGA LATERALE PIANO BASE P70	LATERAL OMEGA BASE SHELF P70
6	NT330	4	STAFFA SUPPORTO RIPIANO INTERNO	GANCRIIP - INTERNAL SHELF SUPPORT BRACKET
5	NT183	2	OMEGA RINFORZO PIANO INTERNO L100	OMEGA SHELF RENIFORCEMENT L100
4	NT172	1	PIANO INTERNO REGOLABILE TA 100x70	INTERNAL ADJUSTABLE SHELF TA 100x70
3	NT101	2	MONTANTE ASOLATO PER LATERALI H85	SLOTTED UPRIGHT H85
2	DSPIEDTA	4	PIEDINO PER TAVOLI ARMADIATI	FOOT FOR CABINET TABLES
1	APS_L100_H85	2	ASSIEME PORTE SCORREVOLI L100 H85	SLIDING DOORS ASSEMBLY L100 H85
ITEM NO	PART NUMBER	QTY	DESCRIPTION	

DATA DATE	MODIF. N. MODIF. NO.	DESCRIZIONE MODIFICHE MODIFICATION DESCRIPTION	DISegnATO DRAWN BY	APPROVATO APPROVED
MODELLO MODEL	TAVOLO ARMADIATO 100x70 TABLE CABINET 100x70		DISegno N. DRAWING NO. DSTA107	SCALA SCALE -
PARTICOLARE DETAIL	ESPLOSO EXPLODED VIEW		DISegnATO DRAWN BY M.PAPI	DATA DATE -
MATERIALE MATERIAL	AISI 304 - AISI 430	SPESS. THICK. -	APPROVATO APPROVED	SHEET 4 OF 4
FINITURA FINISH		PEZZI N. PIECES NO.	SOSTITUISCE IL DIS. N. IT REPLACES DRAWING NO.	ULTIMA EMISS. LAST EDITION
TRATTAMENTO TREATMENT	COLORE COLOUR		SOSTITUITO DAL DIS. N. REPLACED BY DRAWING NO.	
		RISTOPRO SRL FRAZ. BORGO TUFICO, 47 FABRIANO (AN) ITALY +39.732.043494 WWW.RISTOPRO.COM		 mm

QUOTE SENZA TOLLERANZA TOLLERANCE UNLESS OTHERWISE STATED
 QUOTA PRIMARIA ELABORATO CON SISTEMA CAD DESIGNED BY CAD/STEM
 QUOTA PRIMARIA PRIMARY DIMENSION XX
 ANGOLI Angles >500 ±0.75
 400-500 ±0.65
 315-400 ±0.55
 250-315 ±0.50
 180-250 ±0.45
 120-180 ±0.40
 80-120 ±0.35
 50-80 ±0.30
 30-50 ±0.25
 10-30 ±0.20
 5-10 ±0.15
 0-5 ±0.10
 LUNGHEZZE E DIAM. LENGTH AND DIAM.