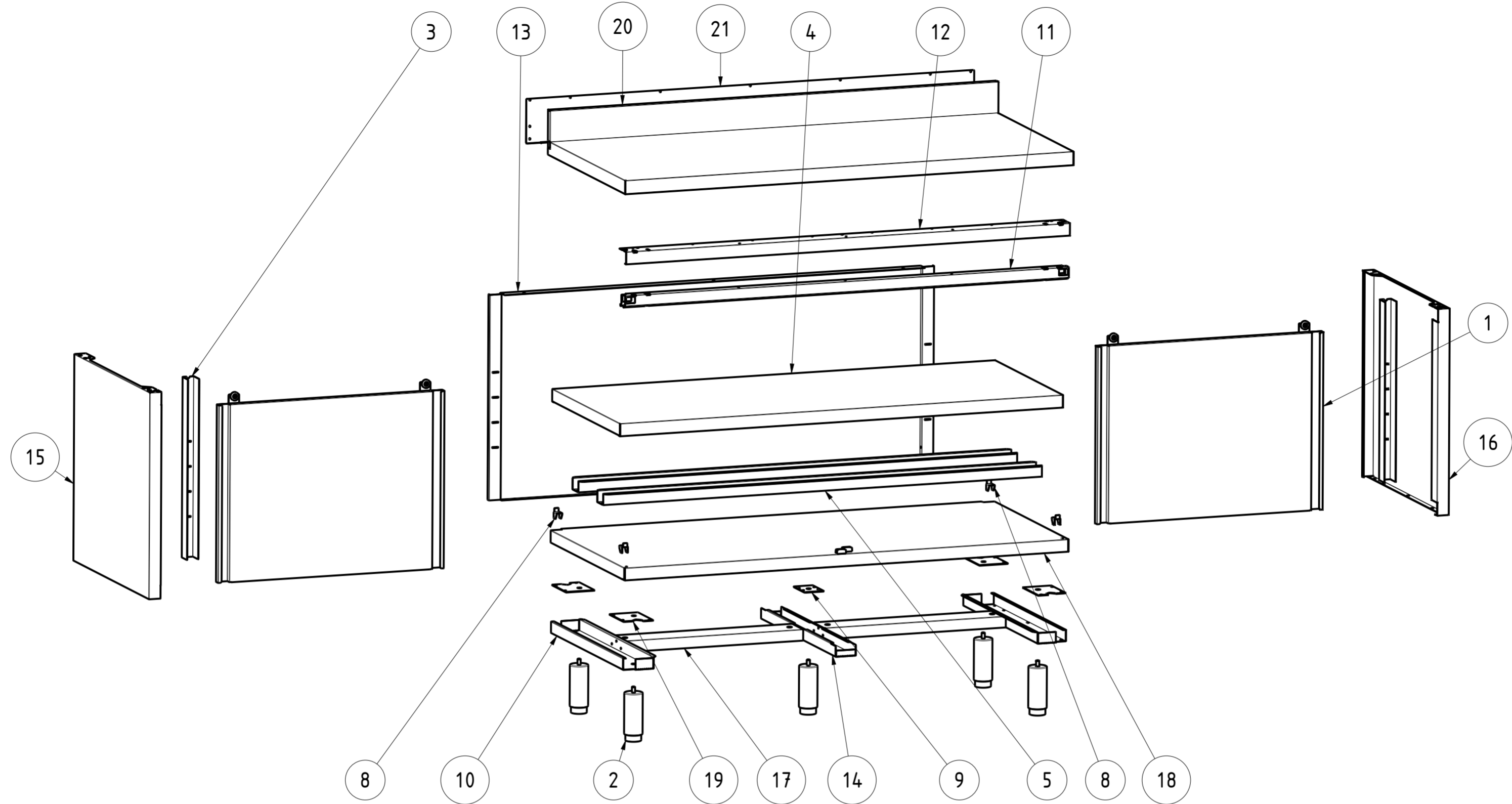


# EXPLOSIONSZEICHNUNG



KBS Gastrotechnik GmbH – Schoßbergstraße 26 – 65201 Wiesbaden



22	TACCHDSTA	2	TACCHETTO GUIDA PORTE	SLIDING DOOR GUIDE
21	NT4014Q	1	CHIUSURA ALZATINA TOP Q L150	UPSTAND BACK TOP Q L150
20	NT3967Q	1	TOP Q CON ALZATINA 150x70	TOP Q UPSTAND 150x70
19	NT4144	4	PIASTRA RIV PIEDINO PORTA BATTENTE	PLATE EXTERNAL LEG HINGED DOOR
18	NT4079	1	PIANO BASE 150x70	BASE SHELF 150x70
17	NT4060	2	OMEGA LONGITUDINALE (DIV.2) L150	LONGITUDINAL OMEGA L150
16	NT4046	1	PANNELLO LATERALE DX P70 H85	RIGHT SIDE PANEL P70 H85
15	NT4044	1	PANNELLO LATERALE SX P70 H85	LEFT SIDE PANEL P70 H85
14	NT4033	1	OMEGA CENTR RIV. PIANO BASE P70	CENTRAL OMEGA BASE SHELF P70
13	NT3633	1	SCHIENALE L150 H85	BACK L150 H85
12	NT3593	1	ANGOLARE SUPP. BINARIO L150	ANGULAR BINARY SUPPORT L150
11	NT3582	1	BINARIO TAVOLI ARMADIATI L150	BINARY L150
10	NT2450	2	OMEGA LATERALE PIANO BASE P70	LATERAL OMEGA BASE SHELF P70
9	NT335	1	PIASTRA RINFORZO PER GAMBA CENTRALE	PLATE CENTRAL LEG
8	NT330	4	STAFFA SUPPORTO RIPIANO INTERNO	GANCRIP - INTERNAL SHELF SUPPORT BRACKET
7	NT317	2	PAN. EST. ANTA SCORREVOLE PER PENSILE L150 H85	EXTERNAL SLIDING DOOR CABINET L150 H85
6	NT310	2	PAN. INT. ANTA SCORREVOLE PENSILE L150 H85	INTERNAL SLIDING DOOR CABINET L150 H85
5	NT186	2	OMEGA RINFORZO PIANO INTERNO L150	OMEGA SHELF RENINFORCEMENT L150
4	NT175	1	PIANO INTERNO REGOLABILE TA 150x70	INTERNAL ADJUSTABLE SHELF TA 150x70
3	NT101	2	MONTANTE ASOLATO PER LATERALI H85	SLOTTED UPRIGHT H85
2	DSPIEDTA	5	PIEDINO PER TAVOLI ARMADIATI	FOOT FOR CABINET TABLES
1	APS_L150_H85	2	ASSIEME PORTE SCORREVOLI L150 H85	SLIDING DOORS ASSEMBLY L150 H85
ITEM NO	PART NUMBER	QTY	DESCRIPTION	

DATA DATE	MODIF. N. MODIF. NO.	DESCRIZIONE MODIFICHE MODIFICATION DESCRIPTION	DISegnATO DRAWN BY	APPROVATO APPROVED
MODELLO MODEL	TAVOLO ARMADIATO 150x70 ALZ TABLE CABINET 150x70 UPSTAND		DISEGNO N. DRAWING NO. DSTA157A	SCALA SCALE -
PARTICOLARE DETAIL	ESPLOSO EXPLODED VIEW		DISEGNATO DRAWN BY M.PAPI	DATA DATE -
MATERIALE MATERIAL	SPESSE THICK. -	APPROVATO APPROVED	SHEET 4 OF 4	
FINITURA FINISH	PEZZI N. PIECES NO.	SOSTITUISCE IL DIS. N. IT REPLACES DRAWING NO.	ULTIMA EMISS. LAST EDITION	
TRATTAMENTO TREATMENT	COLORE COLOUR	SOSTITUITO DAL DIS. N. REPLACED BY DRAWING NO.		
		RISTOPRO SRL FRAZ. BORGO TUFICO, 47 FABRIANO (AN) ITALY +39.732.043494 WWW.RISTOPRO.COM		 mm

ELABORATO CON SISTEMA CAD  
 DESIGNED BY CAD/STEM  
 QUOTA PRIMARIA  
 PRIMARY DIMENSION  
 XX  
 ANGOLI  
 Angles  
 >30°  
 >500  
 <math>\pm 0,75</math>  
 400-500  
 <math>\pm 0,65</math>  
 315-400  
 <math>\pm 0,60</math>  
 250-315  
 <math>\pm 0,55</math>  
 180-250  
 <math>\pm 0,50</math>  
 120-180  
 <math>\pm 0,45</math>  
 80-120  
 <math>\pm 0,40</math>  
 50-80  
 <math>\pm 0,35</math>  
 30-50  
 <math>\pm 0,30</math>  
 10-30  
 <math>\pm 0,25</math>  
 5-10  
 <math>\pm 0,15</math>  
 0-5  
 <math>\pm 0,10</math>  
 TOLLERANZA UNLESS OTHERWISE STATED  
 QUOTE SENZA TOLLERANZA  
 DIMENSIONS WITHOUT TOLERANCES  
 LUNGHEZZE E DIAMETRI  
 LENGTH AND DIAMETERS  
 FORM.A-2