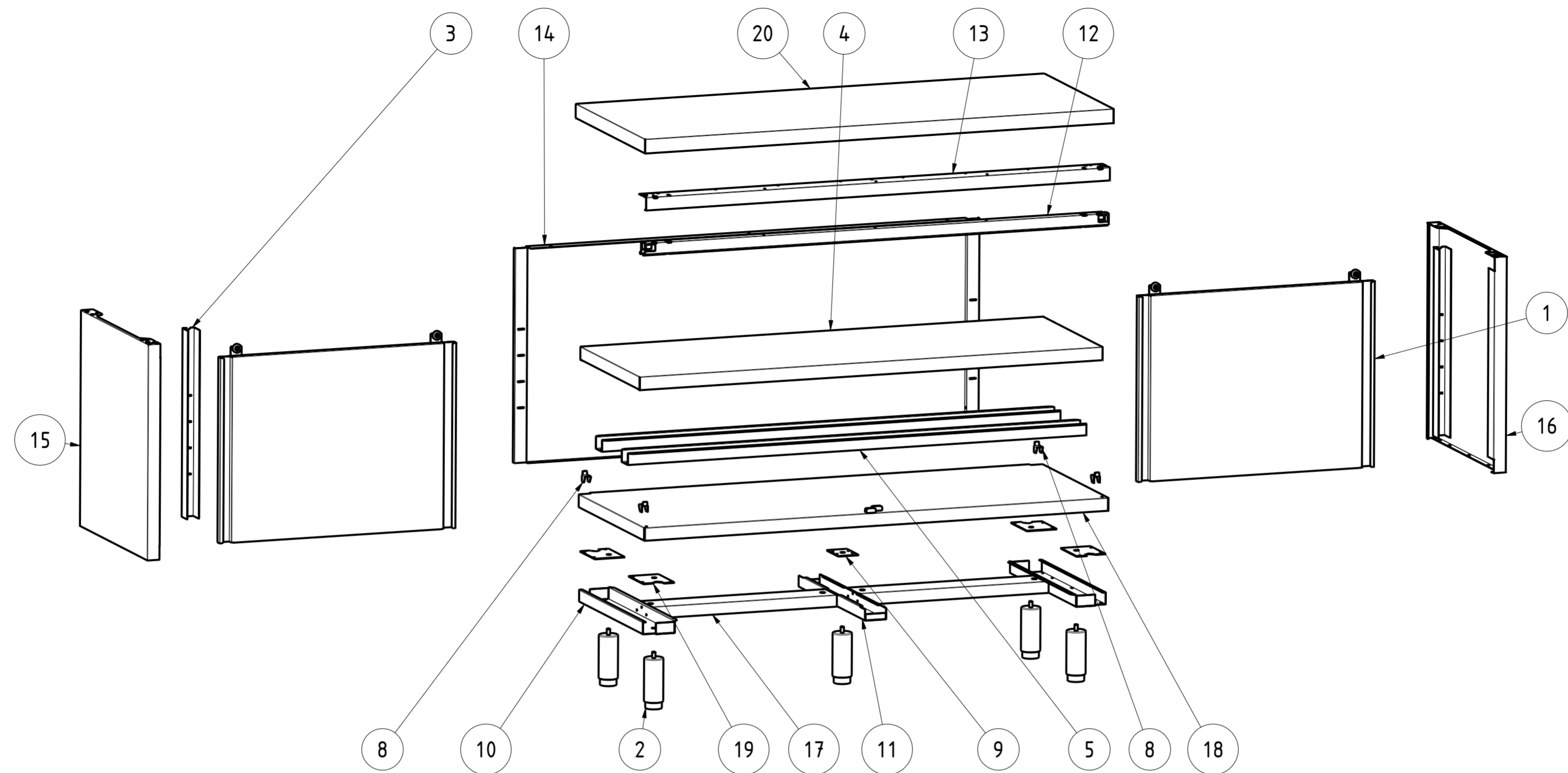


EXPLOSIONSZEICHNUNG



KBS Gastrotechnik GmbH – Schoßbergstraße 26 – 65201 Wiesbaden



21	TACCHDSTA	2	TACCHETTO GUIDA PORTE	SLIDING DOOR GUIDE
20	NT3922Q	1	TOP Q 150x60	TOP Q 150x60
19	NT4144	4	PIASTRA RIV PIEDINO PORTA BATTENTE	PLATE EXTERNAL LEG HINGED DOOR
18	NT4070	1	PIANO BASE 150x60	BASE SHELF 150x60
17	NT4060	2	OMEGA LONGITUDINALE (DIV.2) L150	LONGITUDINAL OMEGA L150
16	NT4045	1	PANNELLO LATERALE DX P60 H85	RIGHT SIDE PANEL P60 H85
15	NT4042	1	PANNELLO LATERALE SX P60 H85	LEFT SIDE PANEL P60 H85
14	NT3633	1	SCHIENALE L150 H85	BACK L150 H85
13	NT3593	1	ANGOLARE SUPP. BINARIO L150	ANGULAR BINARY SUPPORT L150
12	NT3582	1	BINARIO TAVOLI ARMADIATI L150	BINARY L150
11	NT2353	1	OMEGA CENTR RIV. PIANO BASE P60	CENTRAL OMEGA BASE SHELF P60
10	NT2351	2	OMEGA LATERALE PIANO BASE P60	LATERAL OMEGA BASE SHELF P60
9	NT335	1	PIASTRA RINFORZO PER GAMBA CENTRALE	PLATE CENTRAL LEG
8	NT330	4	STAFFA SUPPORTO RIPIANO INTERNO	GANCRIP - INTERNAL SHELF SUPPORT BRACKET
7	NT317	2	PAN. EST. ANTA SCORREVOLE PER PENSILE L150 H85	EXTERNAL SLIDING DOOR CABINET L150 H85
6	NT310	2	PAN. INT. ANTA SCORREVOLE PENSILE L150 H85	INTERNAL SLIDING DOOR CABINET L150 H85
5	NT186	2	OMEGA RINFORZO PIANO INTERNO L150	OMEGA SHELF RENINFORCEMENT L150
4	NT166	1	PIANO INTERNO REGOLABILE TA 150x60	INTERNAL ADJUSTABLE SHELF TA 150x60
3	NT101	2	MONTANTE ASOLATO PER LATERALI H85	SLOTTED UPRIGHT H85
2	DSPIEDTA	5	PIEDINO PER TAVOLI ARMADIATI	FOOT FOR CABINET TABLES
1	APS_L150_H85	2	ASSIEME PORTE SCORREVOLI L150 H85	SLIDING DOORS ASSEMBLY L150 H85
ITEM NO	PART NUMBER	QTY	DESCRIPTION	

DATA DATE	MODIF. N. MODIF. NO.	DESCRIZIONE MODIFICHE MODIFICATION DESCRIPTION	DISegnATO DRAWN BY	APPROVATO APPROVED
MODELLO MODEL	TAVOLO ARMADIATO 150x60 TABLE CABINET 150x60		DISEGNO N. DRAWING NO.	SCALA SCALE
PARTICOLARE DETAIL	ESPLOSO EXPLODED VIEW		DISEGNATO DRAWN BY	DATA DATE
MATERIALE MATERIAL	SPES. THICK.		APPROVATO APPROVED	SHEET 4 OF 4
FINITURA FINISH	PEZZI N. PIECES NO.		SOSTITUISCE IL DIS. N. IT REPLACES DRAWING NO.	ULTIMA EMISS. LAST EDITION
TRATTAMENTO TREATMENT	COLORE COLOUR		SOSTITUITO DAL DIS. N. REPLACED BY DRAWING NO.	
		RISTOPRO SRL FRAZ. BORGO TUFICO, 47 FABRIANO (AN) ITALY +39.732.043494 WWW.RISTOPRO.COM		 mm

ELABORATO CON SISTEMA CAD
 DESIGNED BY CAD/STEM
 QUOTA PRIMARIA
 PRIMARY DIMENSION
 XX
 ANGOLI
 Angles
 >500
 ±0,75
 400-500
 ±0,65
 315-400
 ±0,60
 250-315
 ±0,55
 180-250
 ±0,50
 120-180
 ±0,45
 80-120
 ±0,40
 30-50
 ±0,30
 10-30
 ±0,25
 5-10
 ±0,15
 0-5
 ±0,10
 LUNGHEZZE E DIAMETRI
 LENGTH AND DIAM.
 TOLLERANZA UNLESS OTHERWISE STATED
 TOLERANCE
 QUOTE SENZA TOLLERANZA
 DIMENSIONS WITHOUT TOLERANCE
 FORM.A-2