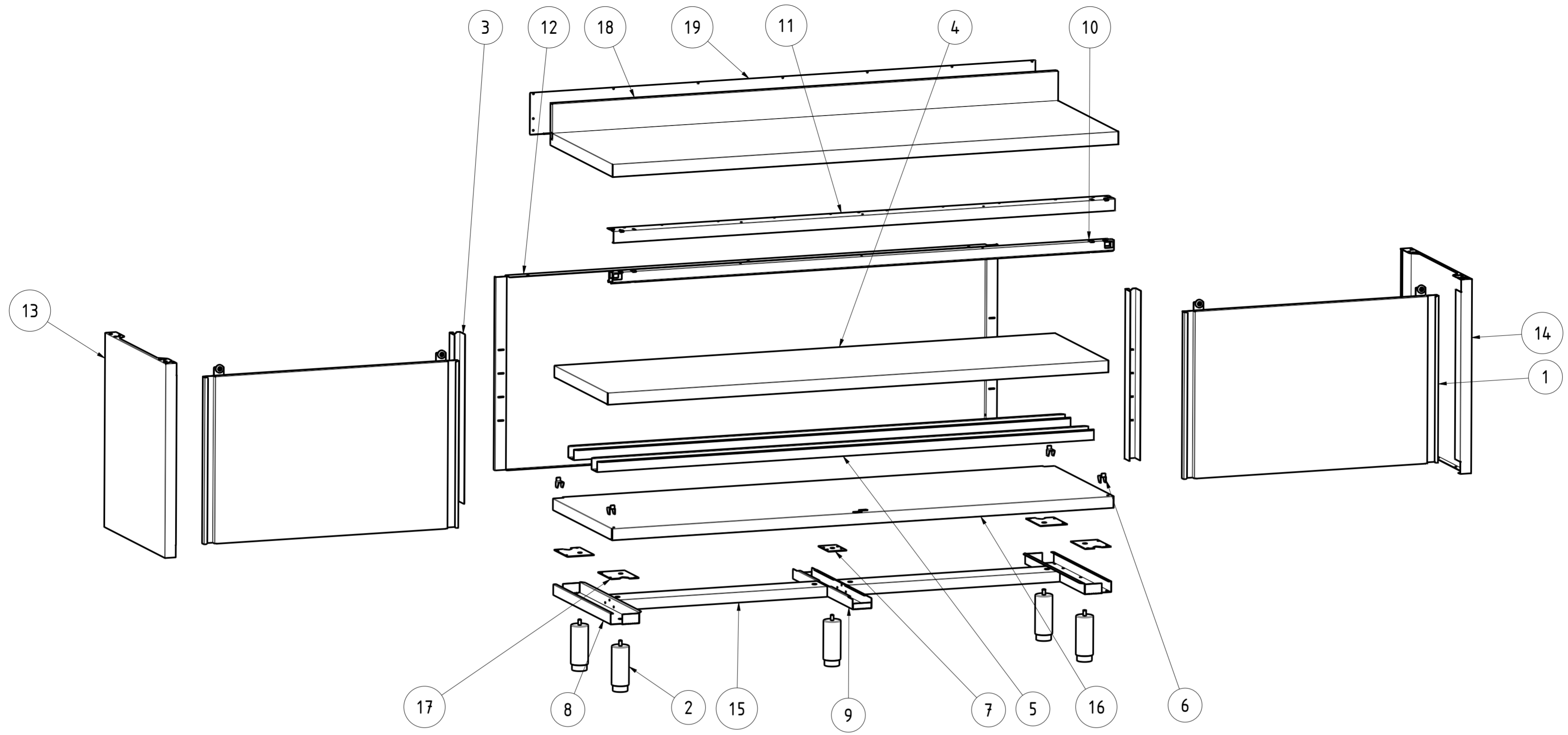


EXPLOSIONSZEICHNUNG



KBS Gastrotechnik GmbH – Schoßbergstraße 26 – 65201 Wiesbaden



19	NT4016Q	1	CHIUSURA ALZATINA TOP Q L180	UPSTAND BACK TOP Q L180
18	NT3954Q	1	TOP Q CON ALZATINA 180x60	TOP Q UPSTAND 180x60
17	NT4144	4	PIASTRA RIV PIEDINO PORTA BATTENTE	PLATE EXTERNAL LEG HINGED DOOR
16	NT4072	1	PIANO BASE 180x60	BASE SHELF 180x60
15	NT4062	2	OMEGA LONGITUDINALE (DIV.2) L180	LONGITUDINAL OMEGA L180
14	NT4045	1	PANNELLO LATERALE DX P60 H85	RIGHT SIDE PANEL P60 H85
13	NT4042	1	PANNELLO LATERALE SX P60 H85	LEFT SIDE PANEL P60 H85
12	NT3636	1	SCHIENALE L180 H85	BACK L180 H85
11	NT3596	1	ANGOLARE SUPP. BINARIO L180	ANGULAR BINARY SUPPORT L180
10	NT3585	1	BINARIO TAVOLI ARMADIATI L180	BINARY L180
9	NT2353	1	OMEGA CENTR RIV. PIANO BASE P60	CENTRAL OMEGA BASE SHELF P60
8	NT2351	2	OMEGA LATERALE PIANO BASE P60	LATERAL OMEGA BASE SHELF P60
7	NT335	1	PIASTRA RINFORZO PER GAMBA CENTRALE	PLATE CENTRAL LEG
6	NT330	4	STAFFA SUPPORTO RIPIANO INTERNO	GANCRIP - INTERNAL SHELF SUPPORT BRACKET
5	NT188	2	OMEGA RINFORZO PIANO INTERNO L180	OMEGA SHELF RENINFORCEMENT L180
4	NT168	1	PIANO INTERNO REGOLABILE TA 180x60	INTERNAL ADJUSTABLE SHELF TA 180x60
3	NT101	2	MONTANTE ASOLATO PER LATERALI H85	SLOTTED UPRIGHT H85
2	DSPIEDTA	5	PIEDINO PER TAVOLI ARMADIATI	FOOT FOR CABINET TABLES
1	APS_L180_H85	2	ASSIEME PORTE SCORREVOLI L180 H85	SLIDING DOORS ASSEMBLY L180 H85
ITEM NO	PART NUMBER	QTY	DESCRIPTION	

DATA DATE	MODIF. N. MODIF. NO.	DESCRIZIONE MODIFICHE MODIFICATION DESCRIPTION	DISegnATO DRAWN BY	APPROVATO APPROVED
MODELLO MODEL		TAVOLO ARMADIATO 180x60 ALZATINA TABLE CABINET 180x60 UPSTAND	DISegno N. DRAWING NO.	DSTA186A
PARTICOLARE DETAIL		ESPLOSO EXPLODED VIEW	DISegnATO DRAWN BY	M.PAPI
MATERIALE MATERIAL		AISI 304 - AISI 430	SPESSE THICK.	-
FINITURA FINISH			PEZZI N. PIECES NO.	
TRATTAMENTO TREATMENT			COLORE COLOUR	
			SOSTITUISCE IL DIS. N. IT REPLACES DRAWING NO.	ULTIMA EMISS. LAST EDITION
			SOSTITUITO DAL DIS. N. REPLACED BY DRAWING NO.	
RISTOPRO		PROFESSIONAL CATERING EQUIPMENT	RISTOPRO SRL FRAZ. BORGO TUFICO, 47 FABRIANO (AN) ITALY +39.732.043494 WWW.RISTOPRO.COM	
			mm	

ELABORATO CON SISTEMA CAD
 DESIGNED BY CADSTEM
 QUOTA PRIMARIA
 PRIMARY DIMENSION
 XX
 ANGOLI
 Angles
 >500
 >±0.75
 400-500
 >±0.65
 315-400
 >±0.60
 250-315
 >±0.55
 180-250
 >±0.50
 120-180
 >±0.45
 80-120
 >±0.40
 50-80
 >±0.35
 30-50
 >±0.30
 10-30
 >±0.25
 5-10
 >±0.15
 0-5
 >±0.10
 LUNGHEZZE E DIAMETRI
 LENGTH AND DIAM.
 TOLLERANZA UNLESS OTHERWISE STATED
 QUOTE SENZA TOLLERANZA
 TOLERANCE UNLESS OTHERWISE STATED
 FORM.A-2