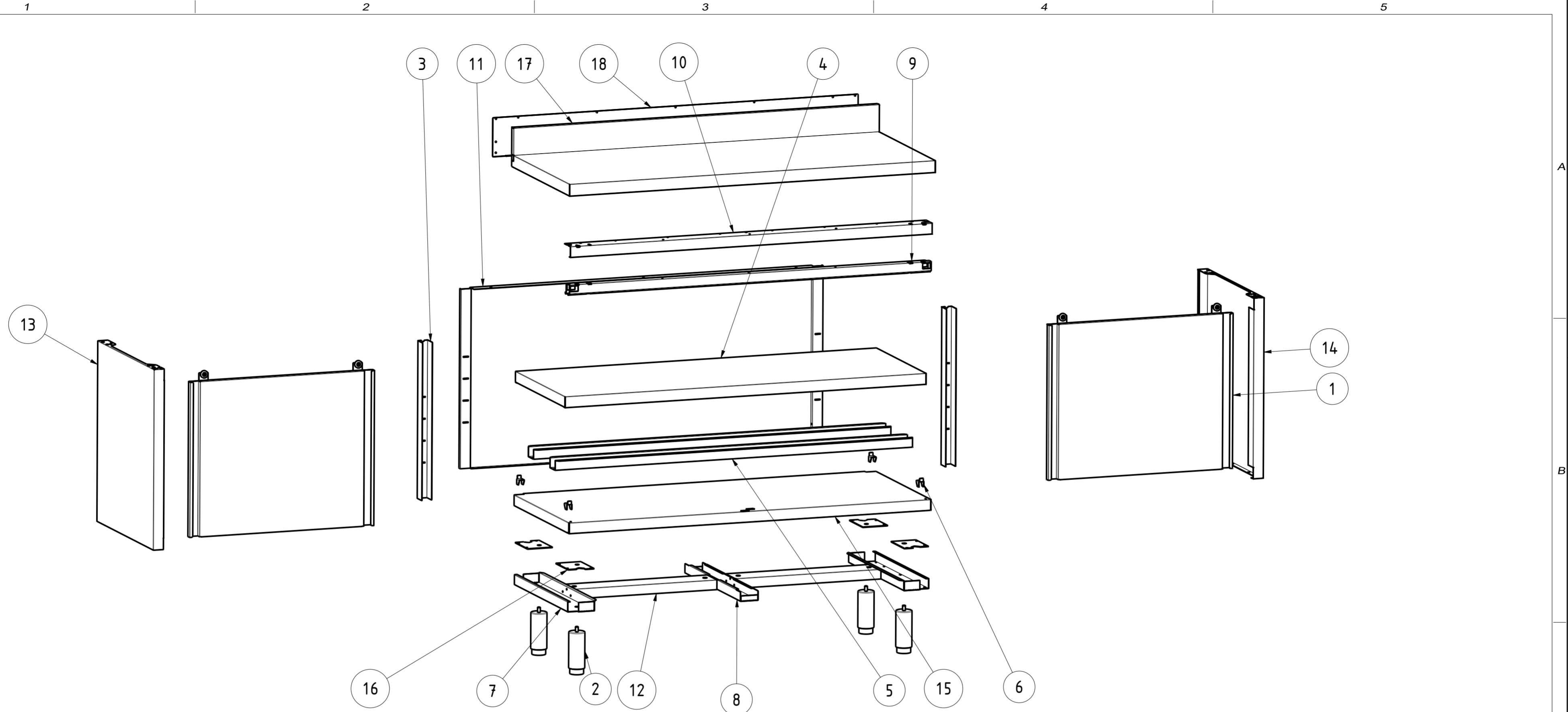


EXPLOSIONSZEICHNUNG



KBS Gastrotechnik GmbH – Schoßbergstraße 26 – 65201 Wiesbaden



18	NT4013Q	1	CHIUSURA ALZATINA TOP Q L140	UPSTAND BACK TOP Q L140
17	NT3951Q	1	TOP Q CON ALZATINA 140x60	TOP Q UPSTAND 140x60
16	NT4144	4	PIASTRA RIV PIEDINO PORTA BATTENTE	PLATE EXTERNAL LEG HINGED DOOR
15	NT4069	1	PIANO BASE 140x60	BASE SHELF 140x60
14	NT4045	1	PANNELLO LATERALE DX P60 H85	RIGHT SIDE PANEL P60 H85
13	NT4042	1	PANNELLO LATERALE SX P60 H85	LEFT SIDE PANEL P60 H85
12	NT4030	2	OMEGA LONGITUDINALE (DIV.2) L140	LONGITUDINAL OMEGA L140
11	NT3632	1	SCHIENALE L140 H85	BACK L140 H85
10	NT3592	1	ANGOLARE SUPP. BINARIO L140	ANGULAR BINARY SUPPORT L140
9	NT3581	1	BINARIO TAVOLI ARMADIATI L140	BINARY L140
8	NT2353	1	OMEGA CENTR RIV. PIANO BASE P60	CENTRAL OMEGA BASE SHELF P60
7	NT2351	2	OMEGA LATERALE PIANO BASE P60	LATERAL OMEGA BASE SHELF P60
6	NT330	4	STAFFA SUPPORTO RIPIANO INTERNO	GANCRIP - INTERNAL SHELF SUPPORT BRACKET
5	NT185	2	OMEGA RINFORZO PIANO INTERNO L140	OMEGA SHELF RENINFORCEMENT L140
4	NT165	1	PIANO INTERNO REGOLABILE TA 140x60	INTERNAL ADJUSTABLE SHELF TA 140x60
3	NT101	2	MONTANTE ASOLATO PER LATERALI H85	SLOTTED UPRIGHT H85
2	DSPIEDTA	4	PIEDINO PER TAVOLI ARMADIATI	FOOT FOR CABINET TABLES
1	APS_L140_H85	2	ASSIEME PORTE SCORREVOLI L140 H85	SLIDING DOORS ASSEMBLY L140 H85
ITEM NO	PART NUMBER	QTY	DESCRIPTION	

DATA DATE	MODIF. N. MODIF. NO.	DESCRIZIONE MODIFICHE MODIFICATION DESCRIPTION	DISegnATO DRAWN BY	APPROVATO APPROVED
MODELLO MODEL	TAVOLO ARMADIATO 140x60 ALZATINA TABLE CABINET 140x60 UPSTAND		DISegno N. DRAWING NO.	SCALA SCALE
PARTICOLARE DETAIL	ESPLOSO EXPLODED VIEW		M.PAPI	DATA DATE
MATERIALE MATERIAL	AISI 304 - AISI 430	SPES.S. THICK.	-	APPROVATO APPROVED
FINITURA FINISH		PEZZI N. PIECES NO.		SHEET 3 OF 5
TRATTAMENTO TREATMENT		COLORE COLOUR		SOSTITUISCE IL DIS. N. IT REPLACES DRAWING NO.
				SOSTITUITO DAL DIS. N. REPLACED BY DRAWING NO.
		RISTOPRO SRL FRAZ. BORGO TUFICO, 47 FABRIANO (AN) ITALY +39.732.043494 WWW.RISTOPRO.COM		 mm

ELABORATO CON SISTEMA CAD
 DESIGNED BY CAD/STEM
 QUOTA PRIMARIA
 PRIMARY DIMENSION
 XX
 ANGOLI
 Angles
 >500
 ±0.75
 400-500
 ±0.65
 315-400
 ±0.60
 250-315
 ±0.55
 120-180
 ±0.45
 80-120
 ±0.40
 50-80
 ±0.35
 30-50
 ±0.30
 10-18
 ±0.20
 5-10
 ±0.15
 0-5
 ±0.10
 LUNG. E DIAM.
 LENGTH AND DIAM.
 TOLLERANCE UNLESS OTHERWISE STATED
 QUOTE SENZA TOLLERANZA
 FORM.A-2