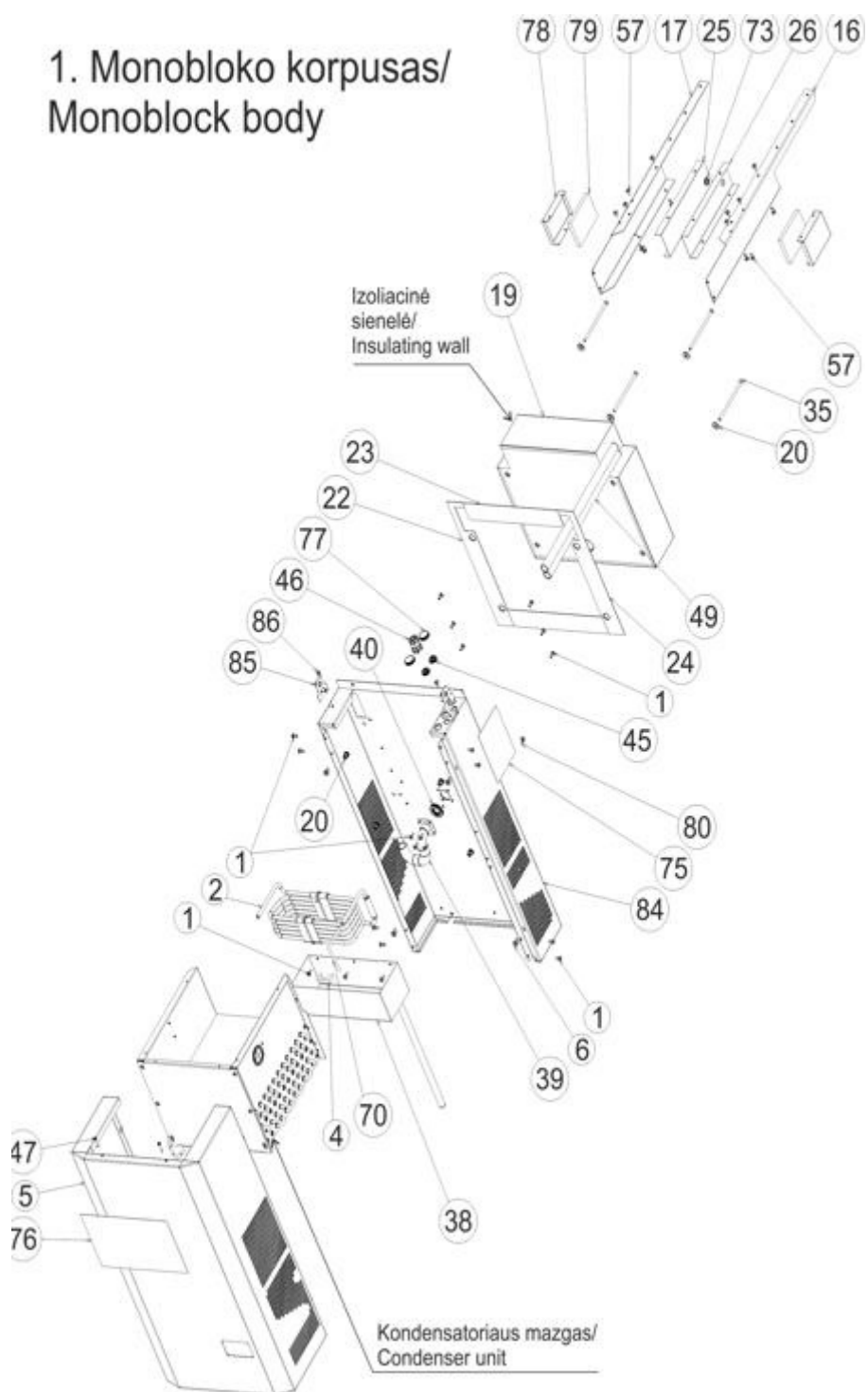


EXPLOSIONSZEICHNUNG

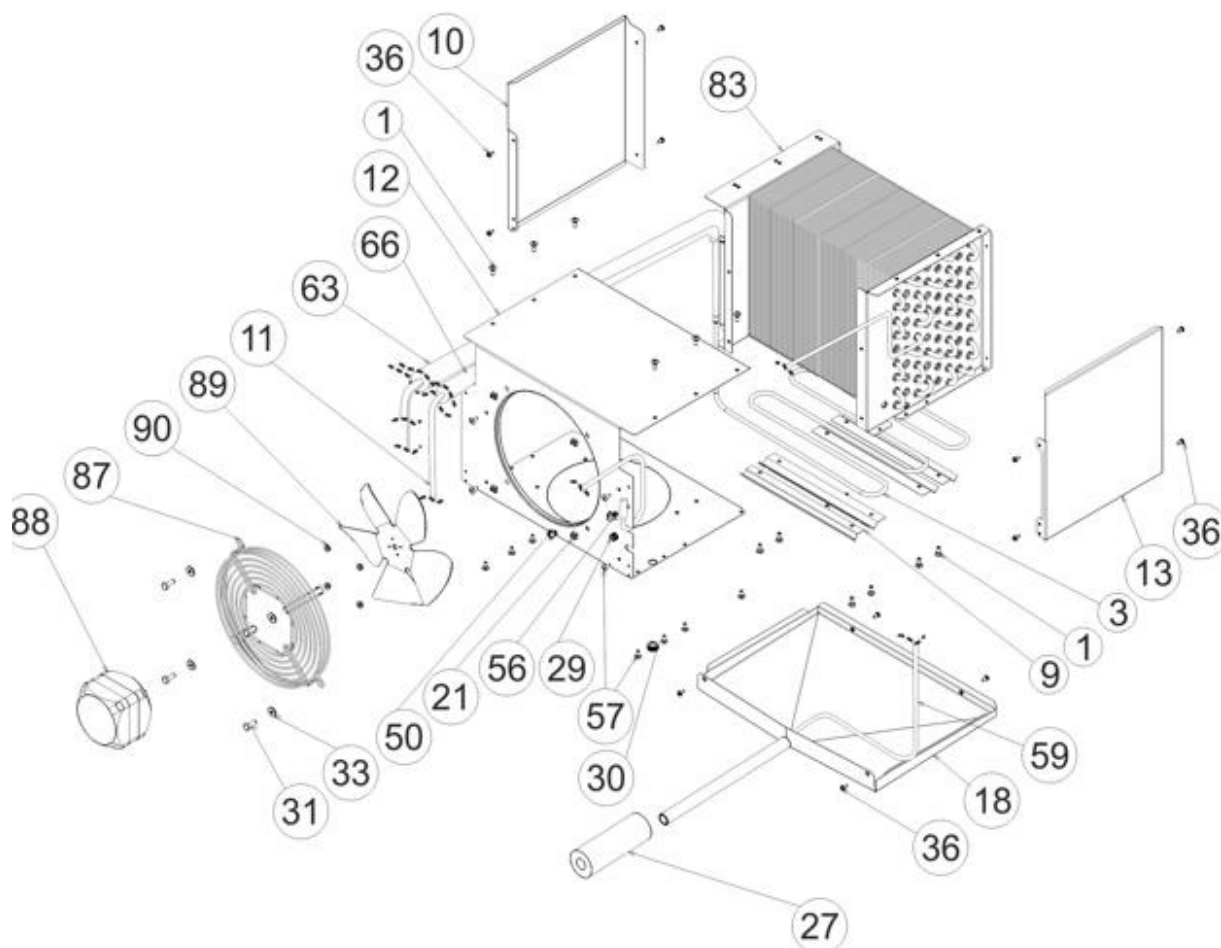


KBS Gastrotechnik GmbH – Schoßbergstraße 26 – 65201 Wiesbaden

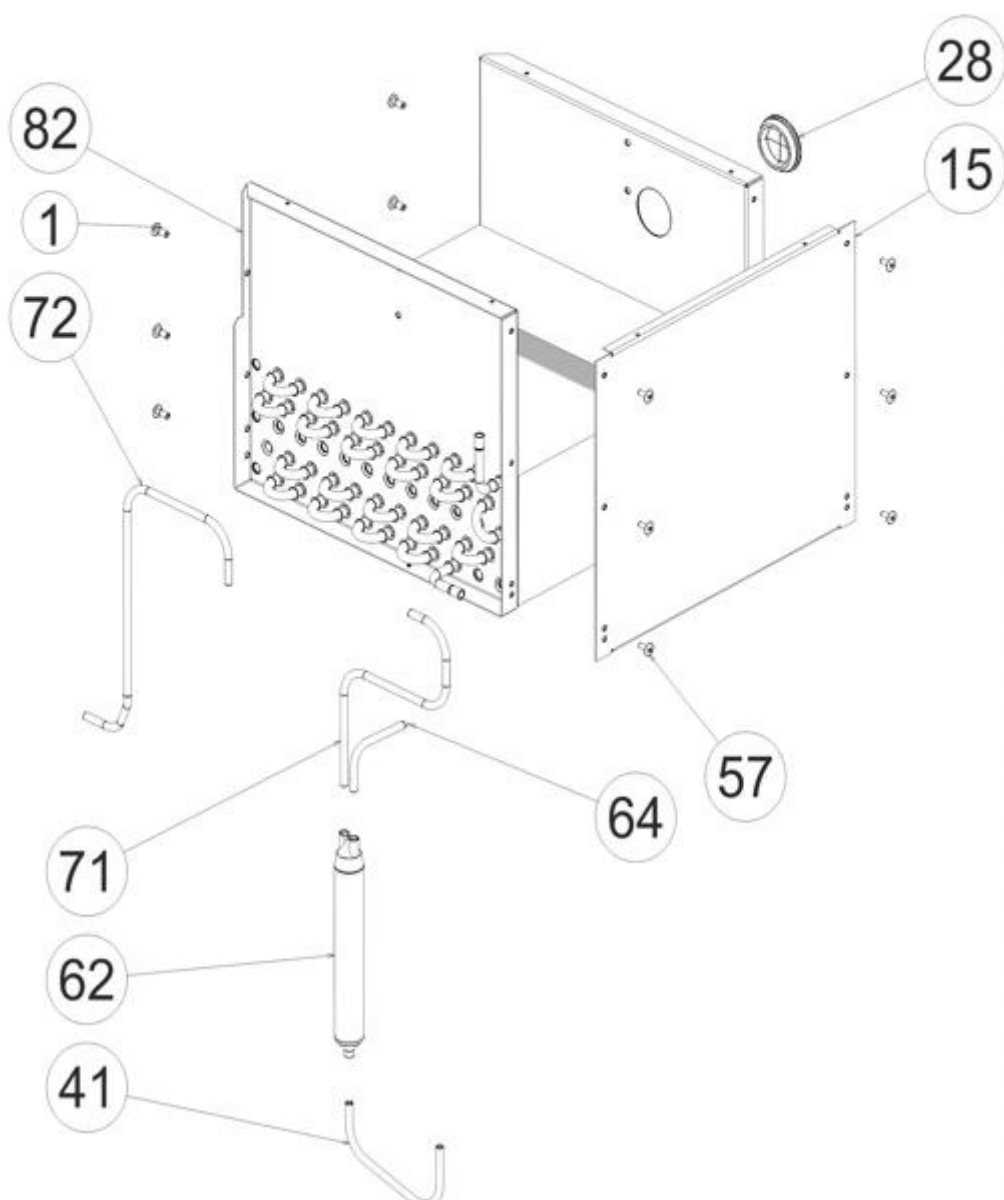
1. Monobloko korpusas/ Monoblock body



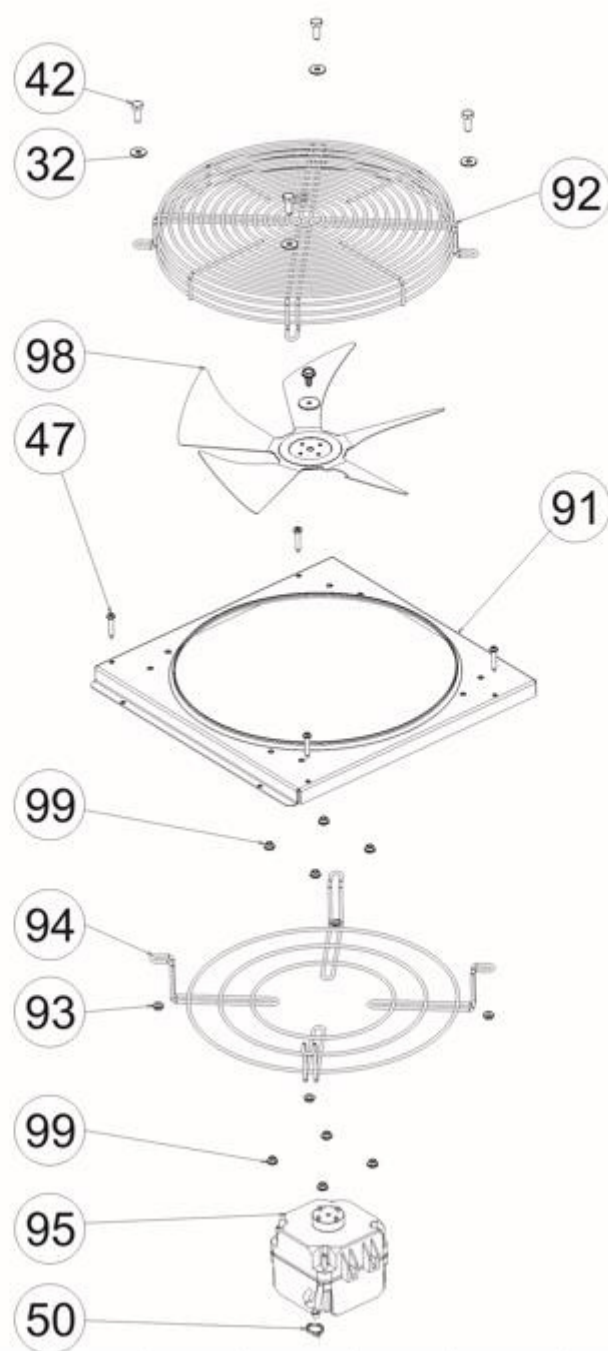
2. Garintuvo mazgas/ Evaporator unit



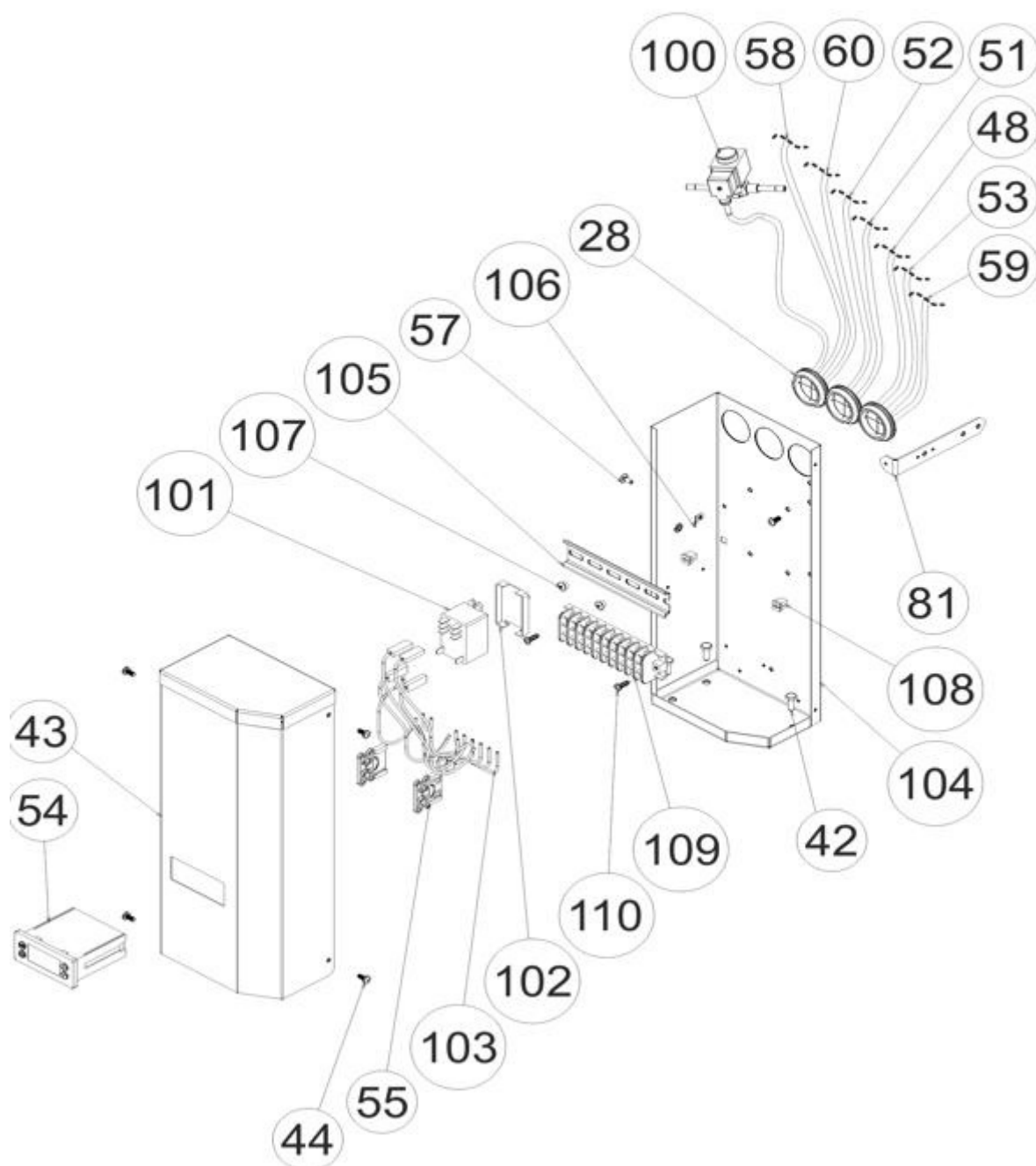
3. Kondensatoriaus mazgas/ Condenser unit



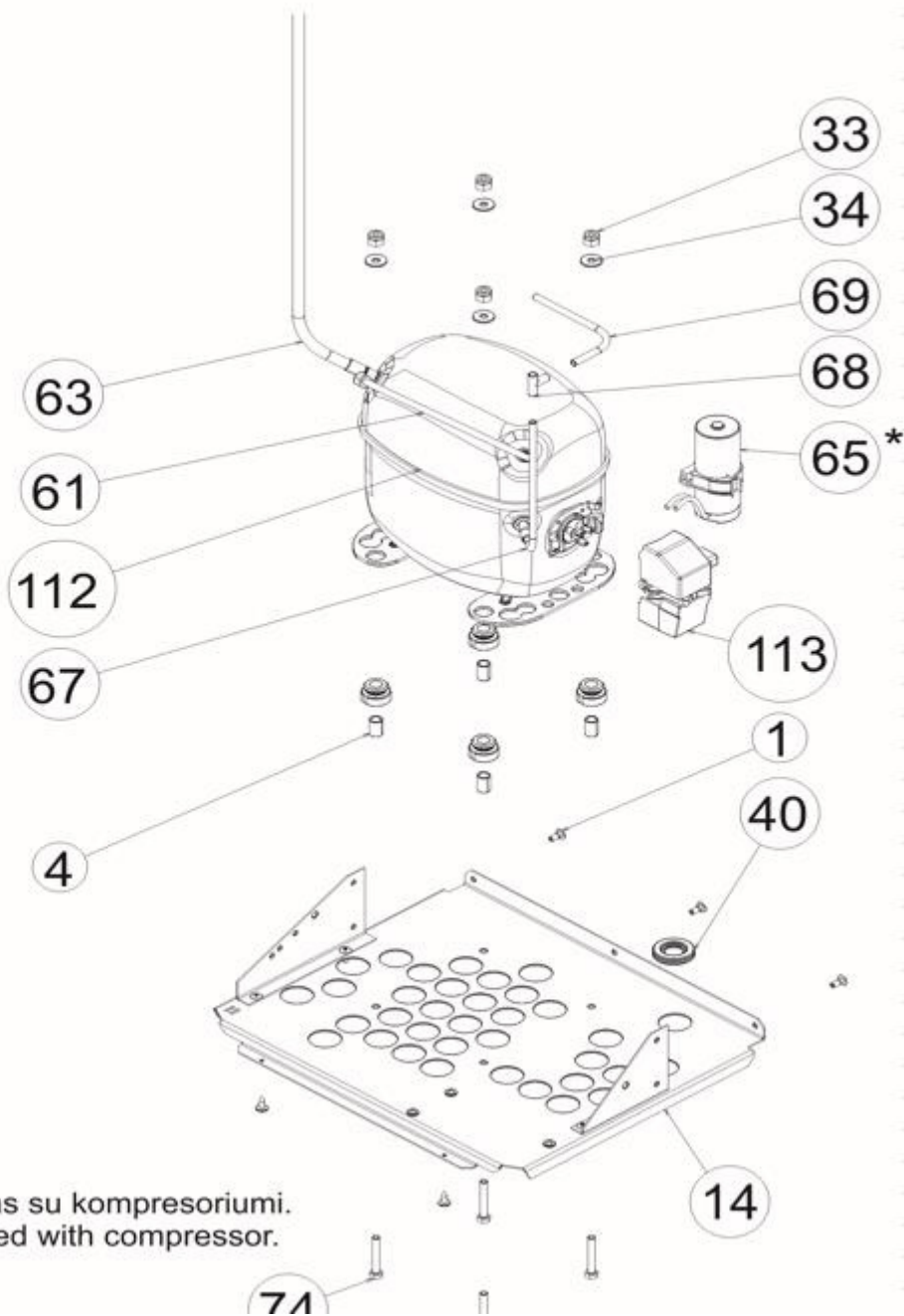
4. Kondensatoriaus ventiliatoriaus mazgas Condenser fan unit



5. Valdymo blokas/ Control panel



Compressor assembly



*Perkamas su kompresoriumi.

*Purchased with compressor.

Part code	Catalog code	Name
40081250.0082	1	Clinch \varnothing 4.8 (Pic.1, 2,3, 6)
V175168-00	2	Water evaporation coil (Pic.1)
M175532-00	3	Evaporator defrost tube 6x0,75 (Pic.2)
D100218-00	4	Laikiklis (Pav.1)
M062145-00-11O1	5	Front panel (Pic.1)
M271011	6	Fixer (Pic.1)
M150497-00-9	9	Plate (Pic.2)
M314038-00-D	10	Right cover (Pic.2)
M175523-00	11	Tube (Pic. 2)

M314040-00-D	12	Evaporator cover (Pic.2)
M314039-00-D	13	Left cover (Pic.2)
V043064-01	14	Compressor support (Pic.6)
M314043-00-4	15	Fan cover (Pic.3)
M198028-01-1IO1	16	Profile (Pic.1)
M198028-00-1IO1	17	Profile (Pic.1)
V357162-00	18	Container for monoblock (Pic.2)
V742002-00	19	Wall (Pic.1)
40081250.0107	20	Hexagon nut M6 (Pic.1)
40081250.0102	21	Steel clinch-nut M5 (Pic.2)
D154260-01	22	Tape for sealing (Pic.1)
D154259-00	23	Tape for sealing (Pic.1)
D154260-00	24	Tape for sealing (Pic.1)
M314041-00-1IO1	25	Cover (Pic.1)
M314041-01-1IO1	26	Cover (Pic.1)
D212297-00	27	Bushing (Pic. 2)
D212294-00	28	Bushing T-GD-29 (Pic.3)
D212293-00	29	Bushing (Pic.1) FIX-GR-58 (Pic.2)
D212298-00	30	Bushing (Pic.1) FIX-GR-9 (Pic.2)
40080950.0116	31	Bolt M5x16 INOX A2 DIN933 (Pic. 2)
40081100.0249	32	Washer D5.3 DIN9021 (Pic.4)
40081050.0041	33	Nut M6 DIN982 (Pic.2)
40081100.0251	34	Washer D6.4 A2 DIN9021 (Pic.6)
40080950.2428	35	Bolt M6x120 INOX A2 DIN933 (Pic.1)
40081150.0109	36	Screw 3,9x9,5 A2 DIN7981 (Pic.2)
V357163-00	38	Container (Pic.1)
V462001-00	39	Elbow (Pic.1)
D212292-00	40	Bushing FIX-DGB-26 (Pic.1)
M175527-00	41	Copper tube 6x0,75 (Pic.3)
40080950.0114	42	Bolt M5x16 DIN933 8.8 (Pic.4; 5)
V314010-00-O1	43	Cover (Pic.5)
40081150.0056	44	Screw 4,2x25 DIN7981 C.H.Zn6 (Pic.5)
D212291-00	45	Bushing RI- DGB-7 (Pic.1)
V100013-00	46	Wire holder PG11 (Pic.1)
40081150.0056	47	Screw 4,2x25 DIN7981 C.H.Zn6 (Pic.5)
V519314-00	48	Electrical wiring (Pic.5)
D212299-00	49	Bushing LDP-20/18(Pic.1)
D140156	50	Strap PA 2,5x100 mm (Pic.2)
V420121-00	51	Temperature sensor (Pic.5)
V420136-00	52	Temperature sensor for evaporator (Pic.5)
V519313-00	53	Electrical wiring (Pic.5)
S387049-01	54	Controller ERC112D (Pic. 5)
D100218-00	55	Holder (Pic.5)
D100226-00	56	Holder (Pic.2)
40081250.0082	57	Rivet Al / steel 4,0 x 8 (Pic.1;2)

V519307-00	58	Electrical wiring (Pic.5)
V421008-00	59	Defrost heater (Pic.2)
V519311-00	60	Electrical wiring (Pic.5)
M175524-00	61	The technological tube 6x075 (Pic.6)
V433021-00	62	Filter-dryer (Pic.2)
V175170-00	63	Suction tube (Pic.2; 6)
M175136-01	64	The technological tube (Pic.3)
40010050.4320	65	Run capacitor (Pic.6)
D212296-00	66	Bushing Armaflex ACE/P 06x10) (Pic.2)
M175521-00	67	Copper tube 6x0,75 (Pic.6)
M175499-00	68	Copper tube TEE ø6 (Pic.6)
M175529-00	69	Copper tube 6x0,75 (Pic.6)
M175522-00	70	Coppet tube evaporation 6x0,75
M175526-00	71	Copper tube 6x0,75
M175515-00	72	Copper tube 6x0,75(condensate evaporation) (Pic.3)
40080950.2429	74	Bolt M6x40 DIN 933 (Pic.6)
D867870-00	75	Label monoblock (Pic.1)
D867872-00	76	Sticker (Pic.1)
D212300-00	77	Bushing Richco DGB-11 (Pic.1)
M314046-00-1IO1	78	Cover (Pic.1)
D156221-00	79	Spacer PP 10x98x69 (Pic.1)
D867213-00	80	Lipdukas-liepsnelė (Pav.1)
M120302-00-4	81	Bracket (Pav.5)
S270128-00	82	Monoblock capacitor (Pic.3)
V430602	83	Evaporator -Monoblock - SGM012* (Pic.2)
V430602-01	83	Evaporator -Monoblock - SGM010* (Pic.2)
V430602-03	83	Evaporator -Monoblock - SGM008* (Pic.2)
M004008-00-1	84	Frame (Pic. 1)
M120299-00-1	85	Mounting bracket (Pic.1)
40081250.0106	86	Rivet DIN7337 4,8x10-Al/Steel (Pic..1)
M336028-00	87	grid (Pav.2)
S800061-00	88	Fan motor NiQ3208 (Pav.2)
D437005-00	89	Fan impeller ø 200mm (Pic.2)
40081050.0100	90	Nut M4 with washer DIN6923 (Pic.2)
M314042-00-1IO1	91	Fan cover (Pic.4)
M336034-00	92	Protective grid (Pic.4)
40081050.0101	93	Nut with washer M5 DIN6923 (Pic.4)
M336033-00	94	Grid (Pic.4)
S800062-00	95	Fan motor NiQ3212 (Pic.4)
D437006-00	98	Fan impeller ø 254mm (Pic.4)
40081050.0100	99	Nut with washer M4 DIN6923 (Pic.4)
S456013-00	100	Valve (Pic.5)
S389001-00	101	Relay (Pic.5)
S389002-00	102	Adapter 06607 (Pic.5)
V519309*???	103	Wiring (Pic.5)

M004010-00-4	104	Mounting housing (Pic.5)
M260030-00	105	Mounting rail (Pic.5)
S267028	106	Earth terminal(Pic.5)
40081250.0082	107	Rivet Al/steel 4,0 x 8 (Pic.5)
D322091-00	108	Cover (Pic.5)
S267030	109	terminal board (Pic.5)
40081150.0511	110	Screws for plastic 4x16 WN 1412 (Pav.5)
KKNX18TBa	112	Compressor (Pav.6)
KRNX18TBa	113	Relay (Pav.6)