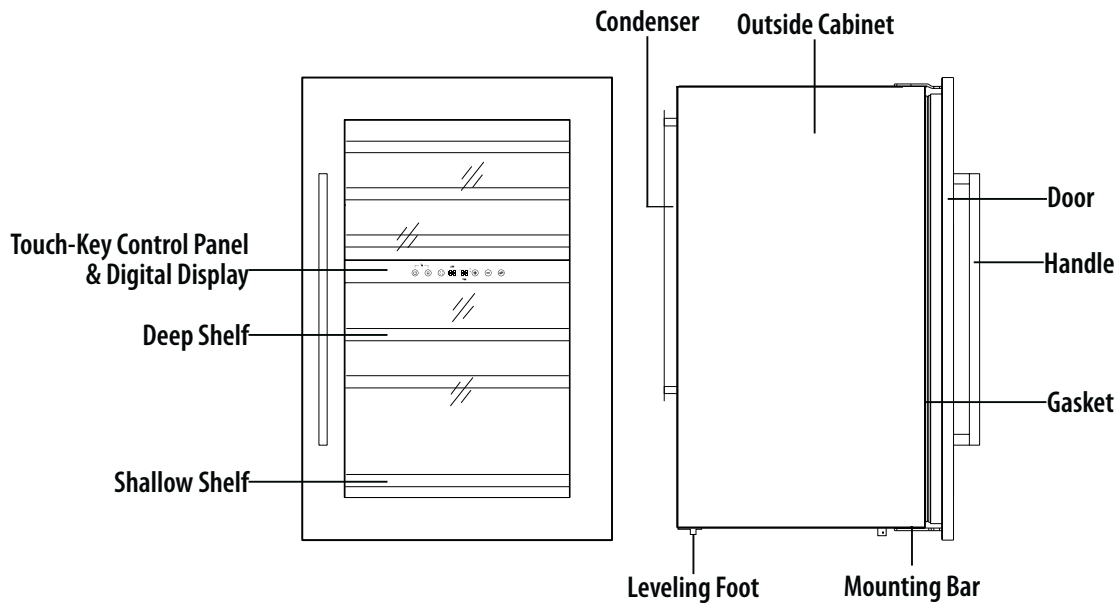
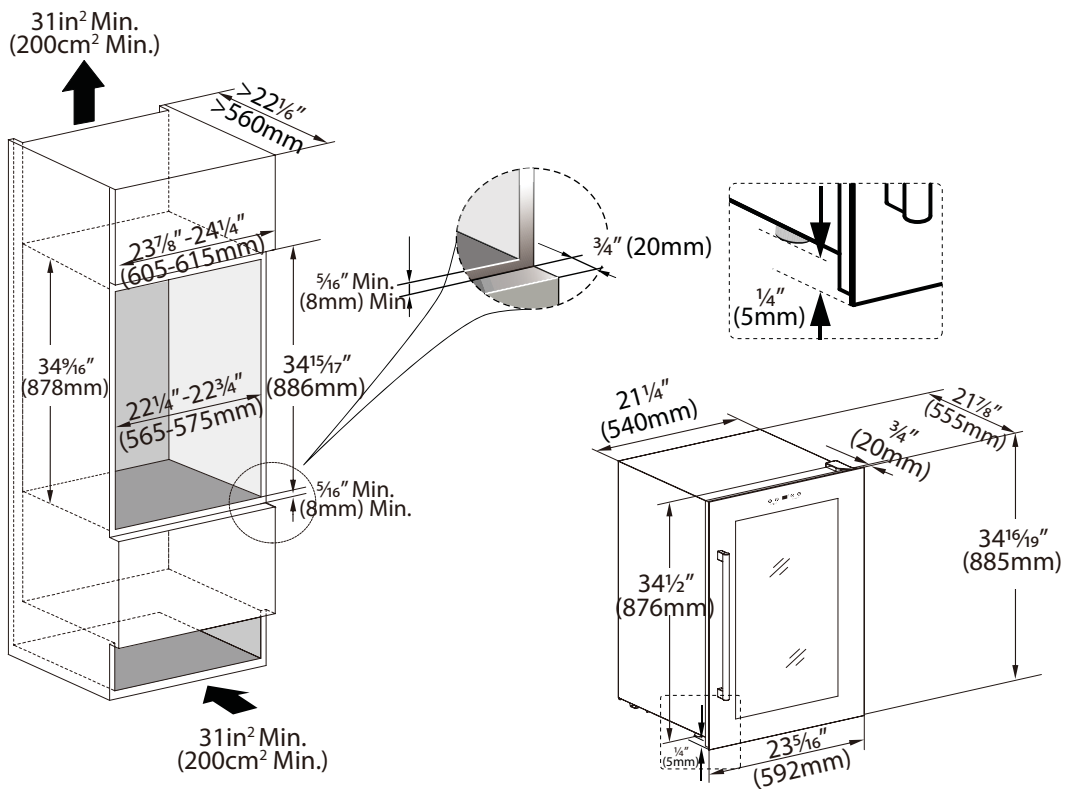




## Dual Zone Structure



## 885mm Height--Installation Drawing



1. Before inserting the unit into the kitchen cabinet, please unscrew the original 4 leveling feet  (**in white**), and screw the 2 short leveling feet , which are packed as the accessory, to the front bottom of the unit.
2. Tighten the 2 screws to fix the **Bottom Mounting Bar** (which has been fixed on the bottom of the unit) to the kitchen cabinet.
3. For a firmly fixing of the unit, you can install an extra **Top Mounting Bar** (which is an accessory packed with the unit) onto the topside of the unit, and screw it with the kitchen cabinet. See right drawing.

