

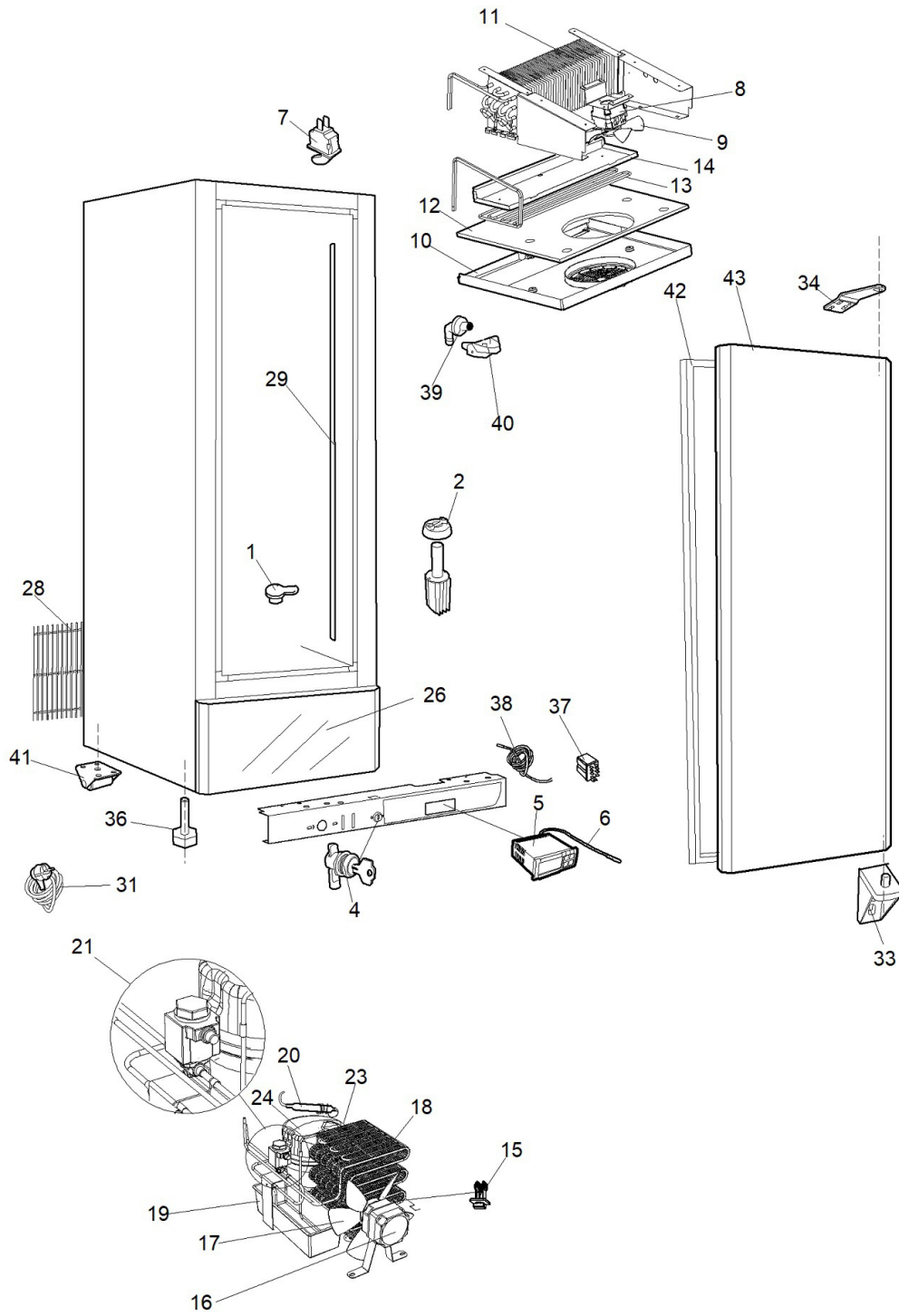
# EXPLOSIONSZEICHNUNG



KBS Gastrotechnik GmbH – Schoßbergstraße 26 – 65201 Wiesbaden



E2022S1400 - STARK NVX HG R290



**E2022S1400 - STARK NVX HG R290**

<b>Pos.</b>	<b>Code</b>	<b>Description</b>	<b>Qty</b>
1	1721359	CAP CLOSING DRAINAGEGREY	1
2	1185011	COMPENSATING VALVE	1
4	5601058	LOCK DOOR CABINET	1
5	1188288	DIGITAL THERMOSTAT EV3244	1
6	1185052	NTC L=2000 DIGITAL THERMOSTAT PROBE PVC	1
7	1195012	MICRO-SWITCH BLACK	1
8	4121179	MOTOR FAN ELECTRONIC REAR FIXING	1
9	4022029	FAN 200X23° ALUMINUM	1
10	1722743	EVAPOR.COVER EXPO 500 NV WHITE/9010	1
11	4132130	EVAPORATOR EXPO 430 NV 2012	1
12	7105055	FRONT INSULATING PANEL EVAP.COVER EXPO 500 NV 2012	1
13	8922747	PIPE COIL HOT-GAS EVAPOR.DRIP STARK HG	1
14	8510485	WATER TANK STARK HG	1
15	1722340	BRACKET CONDENSER BUNDY HOLDER	4
16	4121154	MOTOR FAN ELECTRONIC BRACKET H84	1
17	4122021	FAN 254X27° PRESS ALUMINUM	1
18	4111056	WIRE CONDENSER BUNDY 8T 8R KING SIZE	1
19	1722791	TANK WATHER 280X110X80H	1
20	3141032	FILTER XH9 ENTRY 5 OUT 2.75 GR20	1
21	1185087	SOLENOID VALVE	1
23	1147581	ACCESSORIES SET NEU2155U 220-240V 50HZ CSR	1
24	4108104	COMP.EMBRACO NEU2155U 220-240V 50HZ CSR R290	1
26	8530664	FRONT GRID STARK 2021 INOX	1
28	0521309	BACK GRID VENDER WHITE	1
29	8915011	RACK MM1200 SQUARE HOLES	1
31	1121014	CABLE SUPPLY 3X1,5X3000 EUROPEAN PLUG TYPE SHUKO	1
33	5622086	RIGHT/LEFT LOWER HINGE EXPO JE	1
34	5625025	UPPER HINGE	1
36	5601156	LEVELLING FOOT M10	2
37	1142014	RELAY 66.82.8.230.0303 FINDER ATEX	1
38	1185060	NTC PROBE DIGITAL THERM.L=3000 BLUE	1
39	1721784	BACK WATER DRAIN EXPO J E	1
40	1721783	INTERNAL WATER DRAIN EXPO J E	1
41	5591003	UNI-DIRECTIONAL ROLLER D.23	2
42	4612214	GASKET 632X1525 (388) BLACK CHEF600	1
43	8414153	DOOR STARK 2021 INOX	1