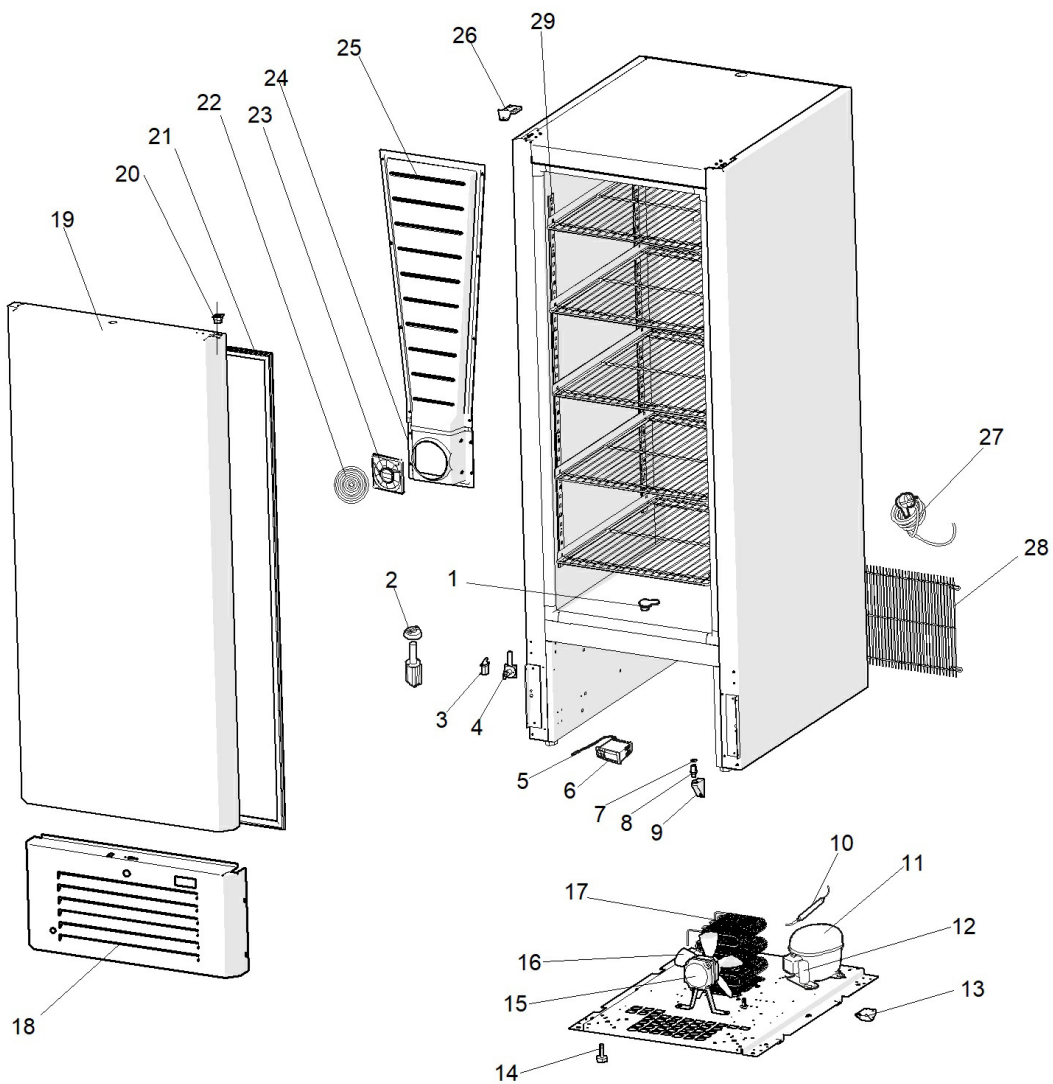


EXPLOSIONSZEICHNUNG



KBS Gastrotechnik GmbH – Schoßbergstraße 26 – 65201 Wiesbaden



**E2020S0400 - STARK N R290**

Pos.	Code	Description	Qty
1	1721037	CAP CLOSING DRAINAGE WHITE	1
2	1185011	COMPENSATING VALVE	1
3	1195009	MICRO-SWITCH WHITE	1
4	5601058	LOCK DOOR CABINET	1
5	1185052	NTC L=2000 DIGITAL THERMOSTAT PROBE PVC	1
6	1188287	THERMOSTAT	1
7	5601128	PLANE WASHER	1
8	1721786	PIN LOWER HINGE EXPO JE	1
9	5622086	RIGHT/LEFT LOWER HINGE EXPO JE	1
10	3141032	FILTER XH9 ENTRY 5 OUT 2.75 GR20	1
11	4106145	COMPRESSOR HLY12LAB 220-240V 50HZ	1
12	1147606	ACC.SET NLY12LAB 220-240V 50HZ CSR R290	1
13	5591003	UNI-DIRECTIONAL ROLLER D.23	2
14	5601156	LEVELLING FOOT M10	2
15	4121155	MOTOR FAN ELECTRONIC BRACKET H72	1
16	4122022	FAN D.230X28° PRESS ALUMINUM	1
17	4111053	WIRE CONDENSER BUNDY 8T 7R	1
18	8522634	FRONTAL GRID	1
19	8414154	COMPLETE DOOR STARK WHITE	1
20	1721299	HINGE BUSH	1
21	4612155	GASKET 632X1525 (388) WHITE CHEF600	1
22	0621045	GRID X MOTOR FAN 120X120	1
23	4121196	MOTOR-FAN ACI4420H EBM-PAPST	1
24	1543077	WHITE VENTILATION SHELL	1
25	1543078	WHITE AIR CONVEYOR	1
26	5622184	UPPER HINGE RIGHT STARK	1
27	1121014	CABLE SUPPLY 3X1,5X3000 EUROPEAN PLUG TYPE SHUKO	1
28	0521309	BACK GRID VENDER WHITE	1
29	8915011	RACK MM1200 SQUARE HOLES	1