

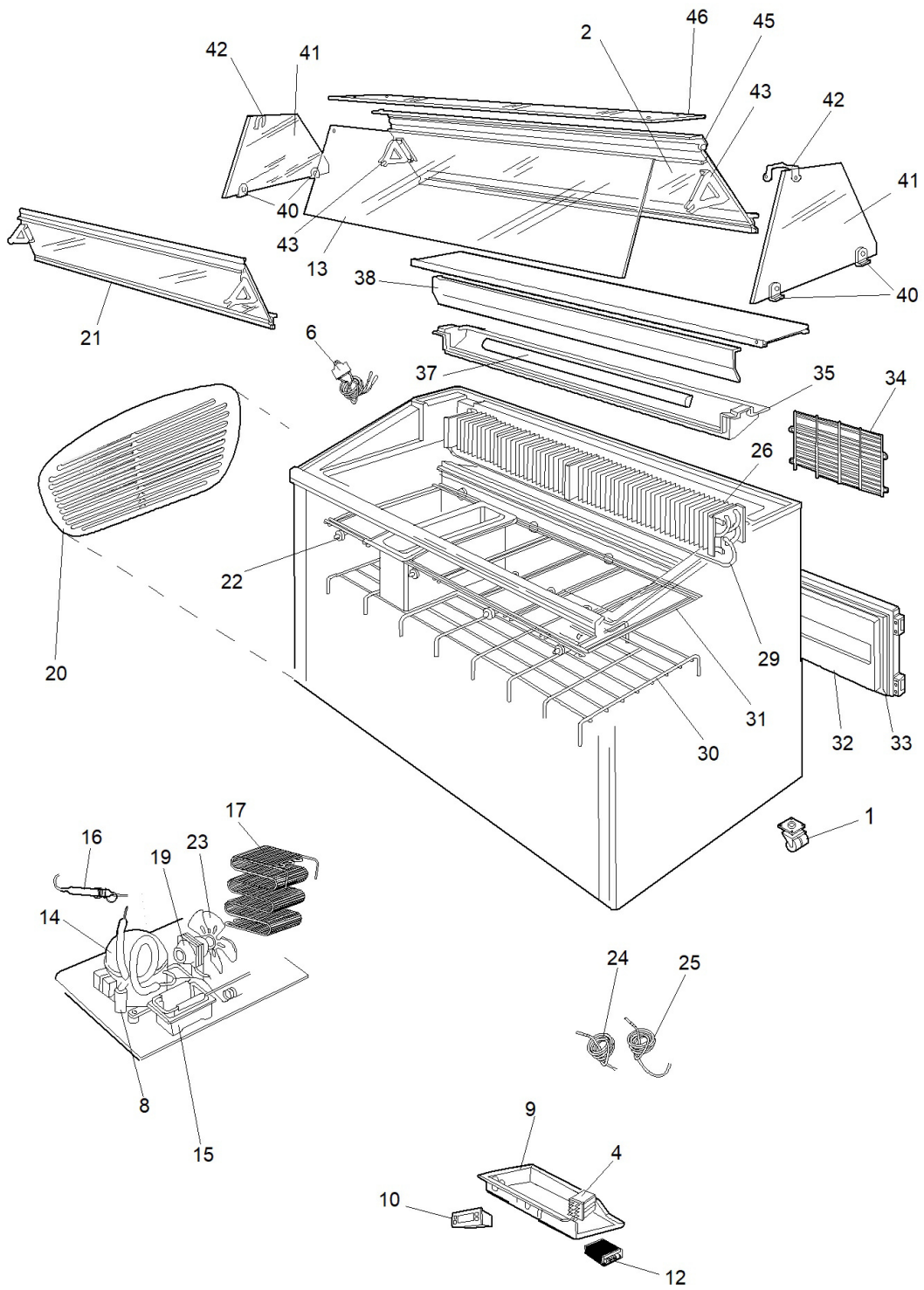
EXPLOSIONSZEICHNUNG



KBS Gastrotechnik GmbH – Schoßbergstraße 26 – 65201 Wiesbaden



E1410M3500 - TOP 6 R290



**E1410M3500 - TOP 6 R290**

Pos.	Code	Description	Qty
1	5623007	WHEEL 50/2/NP1 PLATE H75	4
2	3410316426000	PLEXIGLASS TILTING LID F.TOP 6	1
4	1142014	RELAY 66.82.8.230.0303 FINDER ATEX	1
6	1105040	BIMETALLIC THERMOSTAT WIRED L=1100 TOP-J R290	1
8	1147591	ACC.SET NLY12LAa 220-240V 50HZ CSIR R290	1
9	8522857	CONTROL BOARD 2021	1
10	1188291	THERMOSTAT Y39SE	1
12	1171016	POWER SUPPLY LED 24V REF.APV-16-24	1
13	4601410182000	FRONT GLASS FOR TOP 6	1
14	4106135	COMP.NLY12LAa 220-240V 50HZ CSIR R290	1
15	3410500000100	ABS DRIP WATER TRAY	1
16	3141031	FILTER XH9 ENT.6.5 OUT 2.75 GR15	1
17	4111054	WIRE CONDENSER	1
19	4121135	MOTOR FAN 10W 220/240V-50/60HZ BRACKET H72	1
20	3407099100021	SIDE GRID J 7/9 WHITE/9010	1
21	2222016428000	COMPL.PLEX.DOOR TOP 6	1
22	3421299935000	BUSH WITH NYLON PIN	1
23	4122022	FAN D.230X28° PRESS ALUMINUM	1
24	1185050	NTC L=2000 DIGITAL THERMOSTAT PROBE	1
25	1185052	NTC L=2000 DIGITAL THERMOSTAT PROBE PVC	1
26	4100210688000	EVAPORATOR FOR TOP 6	1
29	1192175	RESISTANCE	1
30	4420217796000	BASKET BOTTOM SHELF TOP 6/E	1
31	4420110825100	S/S BIN HOLDER FOR 6 BINS	1
32	2420616686000	RESERVE BAY DOOR FOR X7/E RAL 9010	1
33	4400710106000	GASKET ICE CREAM CABINET GREY	1
34	0621319	REAR GRID TOP - J WHITE	1
35	3410599560000	ABS LAMP HOUSING COVER TOP7/E-X7/E	1
37	1112080	LED LAMP T5 L1000	1
38	4421099976006	PROFILE LAMP COVER TOP 6	1
40	4410809954000	S/S GLASS HOLDER PLATE	4
41	4601417737000	SIDE GLASS FOR TOP/E	2
42	2222011775201	SCREW SET FOR GLASS CANOPYF.TOP X7/E	1
43	4400516158000	ABS GLASS BRACKET F. X7/E	1
45	8530323	UPPER PROFILE STOP DOOR TOP 6	1
46	4601417809000	UPPER GLASS FOR TOP 6/E	1