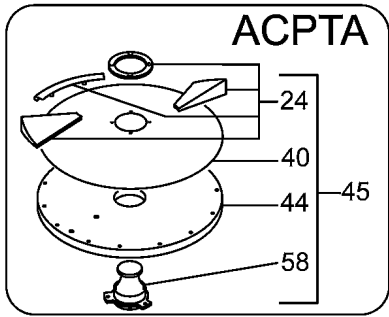


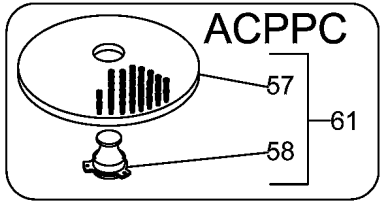
EXPLOSIONSZEICHNUNG



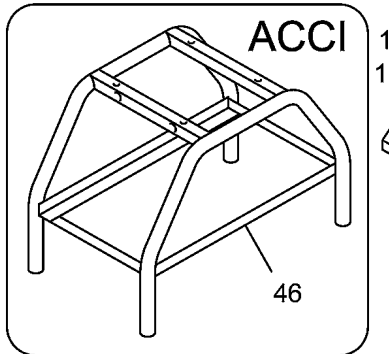
KBS Gastrotechnik GmbH – Schoßbergstraße 26 – 65201 Wiesbaden



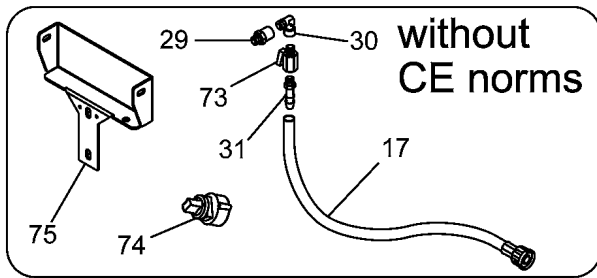
ACPTA



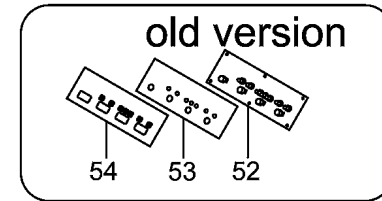
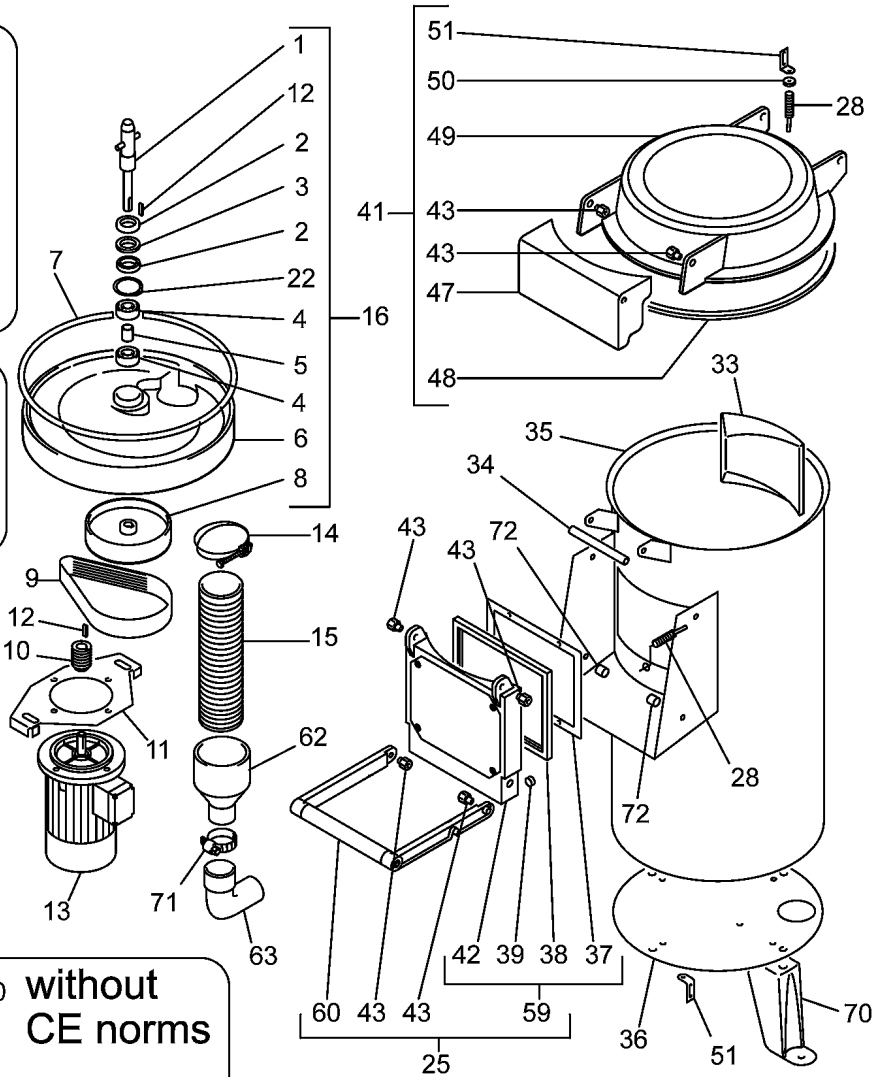
ACPPC



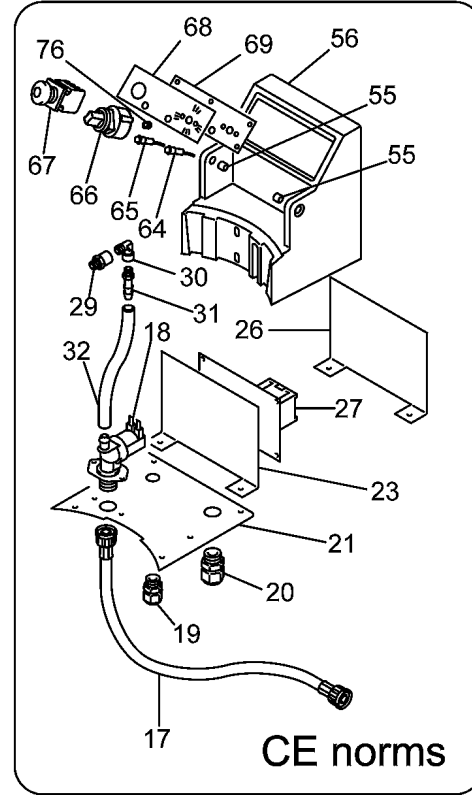
ACCI



**without
CE norms**



old version

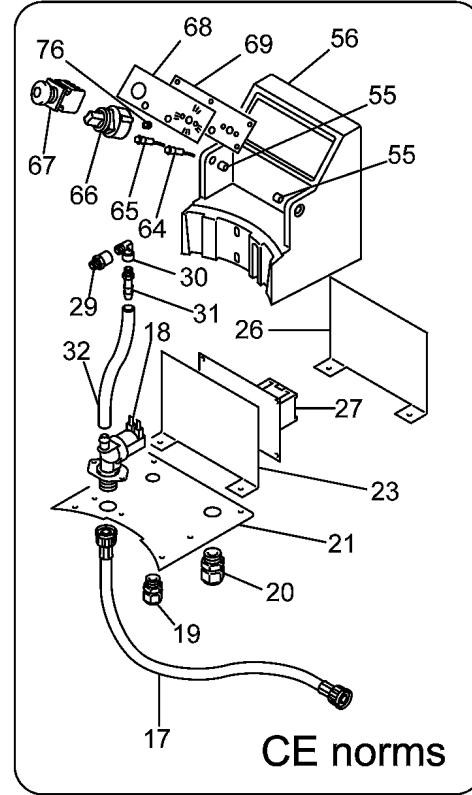
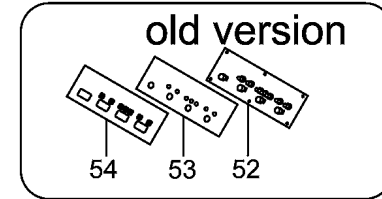
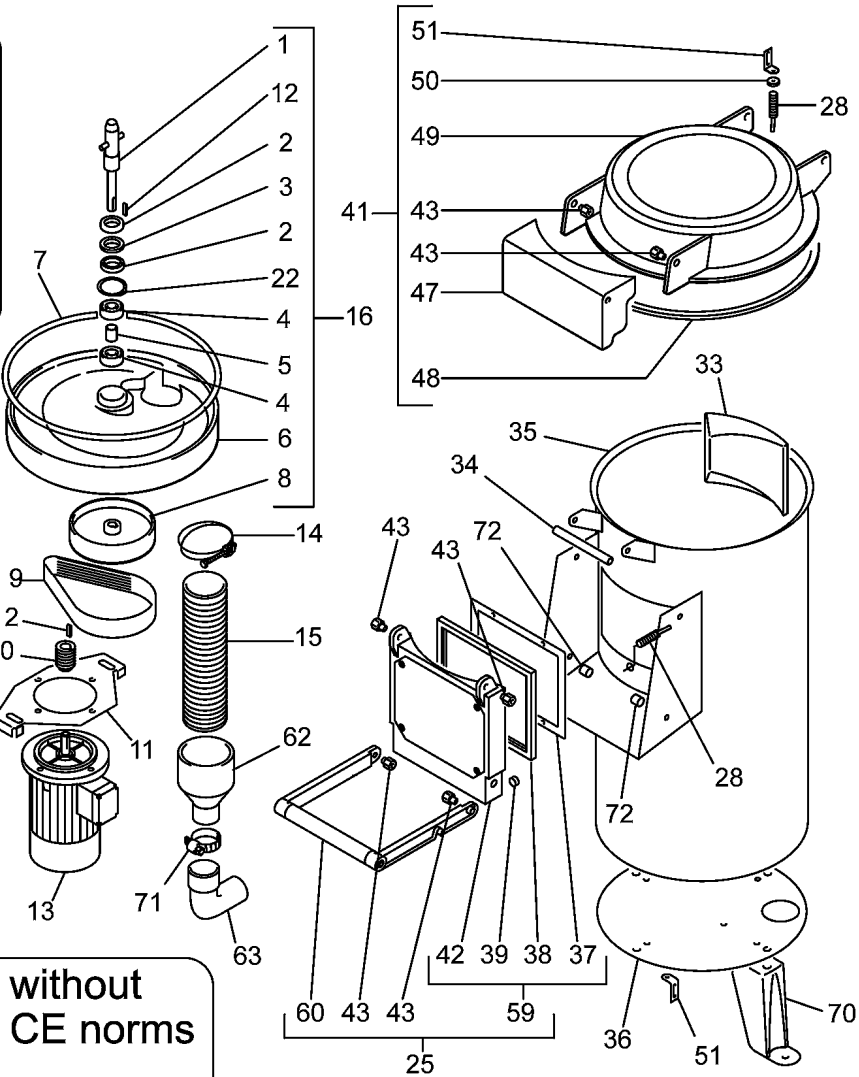
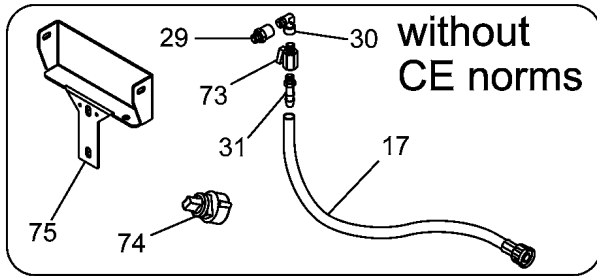
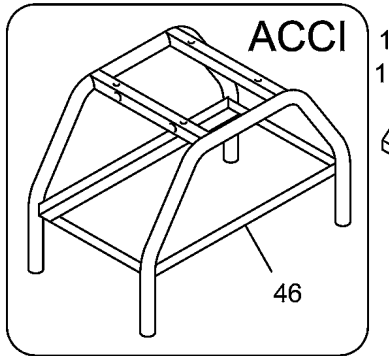
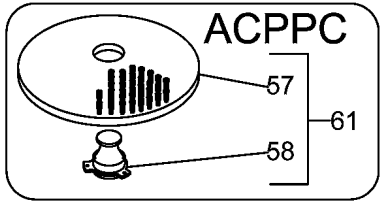
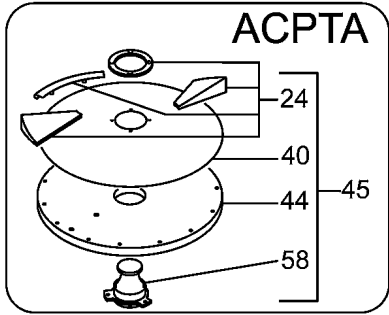


CE norms

POS.	CODE
1	36G6590
2	SL3943
3	3190830
4	36F0090
5	36G5950
6	3600870
7	3151750
8	36G6600
9	36G6610
10	36G0030
10	36G6620
11	35V1230
12	SL0010
13	32M4050
13	32M4080
13	SL0040
13	SL0041
13	SL1041
13	SL1042
13	SL1521
13	SL1522
13	SL1523
13	SL1524
14	3140460
15	35X1150
15	SL2721
17	SA1064
17	33M0010
18	33D1371
19	32D0360
19	SL1757
20	32D1090
21	35Q8620
21	SL2939
22	SL2056
23	35V8601
23	SL2785R0
24	SA3450

SPEC.	N.	CODE	DENOMINAZIONE - DENOMINATION
	1	36G6590	Shaft - Albero
ø28xø42x7	2	SL3943	Oil seal - Paraolio
	3	3190830	Washer - Rosetta
6302 2RS	4	36F0090	Bearing - Cuscinetto
	5	36G5950	Bush - Boccia
	6	3600870	Bottom - Fondo
	7	3151750	Ring - Anello
	8	36G6600	Pulley - Puleggia
Poly V-559 j12	* 9	36G6610	Belt - Cinghia
(LCN-LCF10-18)	10	36G0030	Pulley - Puleggia
(PPN-PPF10-18)	10	36G6620	Pulley - Puleggia
	11	35V1230	Bracket - Staffa
5x5x20	12	SL0010	Key - Linguetta
400V/3Ph/50Hz (2 speed - PPN-PPF18) 01/01/05 f.p.(*)	13	32M4050	Motor - Motore
400V/3Ph/50Hz (2 speed - PPN-PPF10) 01/01/05 f.p.(*)	13	32M4080	Motor - Motore
400V/3Ph/50Hz (PPN-PPF10)	13	SL0040	Motor - Motore
230V/1Ph/50Hz (PPN-PPF10)	13	SL0041	Motor - Motore
400V/3Ph/50Hz (PPN-PPF18)	13	SL1041	Motor - Motore
230V/1Ph/50Hz (PPN-PPF18)	13	SL1042	Motor - Motore
400V/3Ph/50Hz (LCN-LCF10)	13	SL1521	Motor - Motore
400V/3Ph/50Hz (LCN-LCF18)	13	SL1522	Motor - Motore
230V/1Ph/50Hz (LCN-LCF10)	13	SL1523	Motor - Motore
230V/1Ph/50Hz (LCN-LCF18)	13	SL1524	Motor - Motore
ø88÷ø96	14	3140460	Clip - Fascetta
ø90 (PPF-LCF)	15	35X1150	Pipe - Tubo
ø90 (PPN-LCN)	15	SL2721	Pipe - Tubo
Assembly	16	SA1064	Bottom - Fondo
"3/4" F-F "	17	33M0010	Pipe - Tubo
"230V/50-60Hz 3/4" M"	18	33D1371	Electro-valve - Elettrovalvola
01/01/04 f.p.(*)	19	32D0360	Cable clamp - Pressacavo
PG13,5	19	SL1757	Cable clamp - Pressacavo
PG21	20	32D1090	Sheathing clamp - Pressaguaina
01/01/04 f.p.(*)	21	35Q8620	Plate - Piastra
	21	SL2939	Plate - Piastra
ø42	22	SL2056	Seeger - Seeger
01/01/04 f.p.(*)	23	35V8601	Dividing head - Divisorio
	23	SL2785R0	Plate - Piastra
28/01/08 f.p.(*)	24	SA3450	Disk set - Kit disco

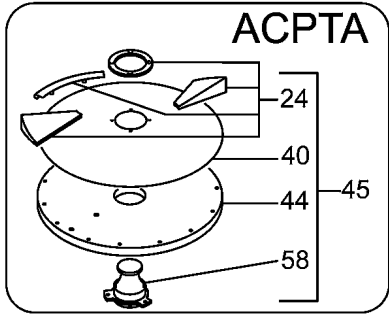
*Ricambio consigliato - Advised spare parts



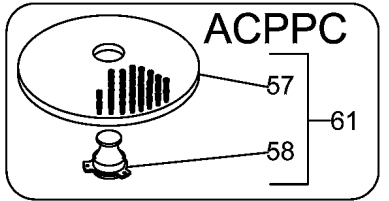
POS.	CODE
24	SA3460
25	SA1072
26	35M8840
27	32Z4840
27	SL2921
27	SL4338
28	32W3240
29	33Q6210
30	33Q6040
31	33Q5180
32	33M0960
33	36D9660
34	36G2040
35	30W2930
35	SL2694
36	35D7790
36	SL3369
37	36C0011
38	37Q7860
39	3600160
40	SL2494
40	SL3544
41	6005380
42	SA3400
43	36D9550
44	SL2135
44	SL3543
45	ACPTA
46	ACCI
47	36M5090
48	SL2871
49	36Z6501
50	3600310
51	35V6381
52	32Z3030
53	30A3560
54	SL1504
54	SL1505

SPEC.	N.	CODE	DENOMINAZIONE - DENOMINATION
plastic (PTA)	24	SA3460	Disk set - Kit disco
Assembly	25	SA1072	Door - Sportello
	26	35M8840	Covering - Copertura
01/01/04 f.p.(*)	27	32Z4840	Remote control switch - Teleruttore
230V/400V-50/60Hz	* 27	SL2921	Electronic card - Scheda elettronica
110V 60Hz	* 27	SL4338	Electronic card - Scheda elettronica
CE norms	* 28	32W3240	Microswitch - Microinterruttore
"1/4"" M-F"	29	33Q6210	Nipple - Raccordo
"L 90° 1/4"" M-F"	30	33Q6040	Nipple - Raccordo
"1/4"" M ø12"	31	33Q5180	Cluch - Portagomma
ø12	32	33M0960	Pipe - Tubo
	33	36D9660	Leaper - Saltarello
	34	36G2040	Pivot - Perno
(PPN-PPF-LCN-LCF10)	35	30W2930	Housing - Carcassa
(PPN-PPF-LCN-LCF18)	35	SL2694	Housing - Carcassa
(PPF-LCF10-18)	36	35D7790	Bottom - Fondo
(PPN-LCN10-18)	36	SL3369	Bottom - Fondo
	37	36C0011	Frame - Telaio
	38	37Q7860	Gasket - Guarnizione
CE norms	* 39	3600160	Magnet - Magnete
28/01/08 f.p.(*)	40	SL2494	Emery cloth - Tela abrasiva
	* 40	SL3544	Emery cloth - Tela abrasiva
Assembly	41	6005380	Cover - Coperchio
Assembly	42	SA3400	Door - Sportello
	43	36D9550	Bush - Boccia
28/01/08 f.p.(*)	44	SL2135	Disk - Disco
	44	SL3543	Disk - Disco
Assembly (PPN-PPF10-18)	45	ACPTA	Potato disk - Disco patate
Assembly (PPF-LCF10-18)	46	ACCI	Frame - Telaio
	47	36M5090	Handle - Maniglia
	* 48	SL2871	Gasket - Guarnizione
	49	36Z6501	Cover - Coperchio
CE norms	* 50	3600310	Magnet - Magnete
	51	35V6381	Bracket - Staffa
01/01/04 f.p.(*)	52	32Z3030	Electronic card - Scheda elettronica
01/01/04 f.p.(*)	53	30A3560	Panel - Pannello
01/01/04 f.p.(*)	54	SL1504	Label - Etichetta
(PPN-PPF-LCN-LCF10-18)			
01/01/04 f.p.(*) (2 speed - PPN-PPF-LCN-LCF10-18)	54	SL1505	Label - Etichetta

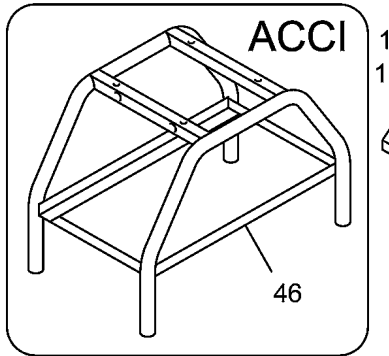
*Ricambio consigliato - Advised spare parts



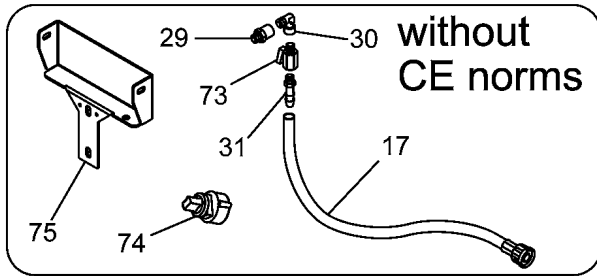
ACPTA



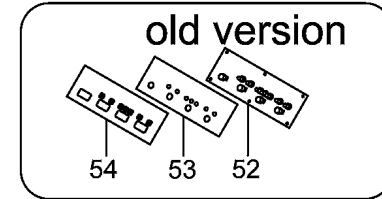
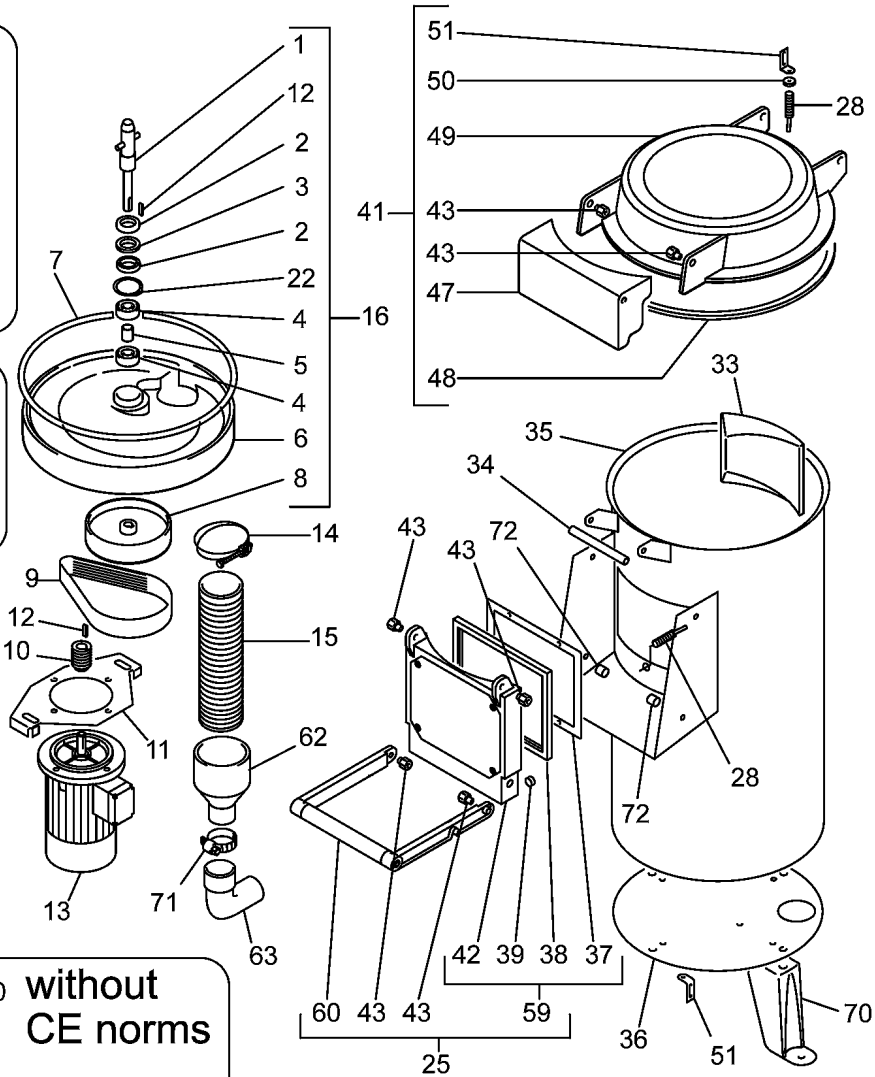
ACPPC



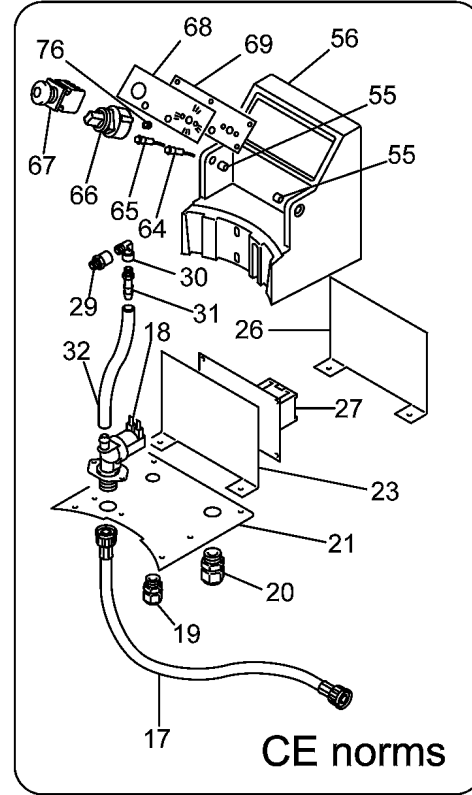
ACCI



**without
CE norms**



old version



CE norms

POS. CODE

55	36D7310
56	36Z0690
57	36G6880
58	SL3267
59	6000930
60	SA1093
61	ACPPC
62	SL2720
63	SL2719
64	32W2970
65	32W3280
66	SA1087
67	SA1088
68	SL3530
68	SL3705
69	30A3620
69	SL3693
70	SL3223
71	SL2745
72	SL2349
73	SL1622
74	SA1092
75	SL2904
76	SL0772

SPEC.	N.	CODE	DENOMINAZIONE - DENOMINATION
	55	36D7310	Bush - Boccia
	56	36Z0690	Box - Scatola
	57	36G6880	Mussel disk - Disco cozze
	58	SL3267	Knob - Pomello
Assembly	59	6000930	Door - Sportello
Assembly	60	SA1093	Handle - Maniglia
Assembly (LCN-LCF10-18)	61	ACPPC	Mussel disk - Disco cozze
ø100-ø50 (PPN-LCN10-18)	62	SL2720	Reduction - Riduzione
ø50 (PPN-LCN10-18)	63	SL2719	Bend - Gomito
230V 2W green	* 64	32W2970	Lamp - Lampada
230V 2W white	* 65	32W3280	Lamp - Lampada
	* 66	SA1087	Timer - Timer
Unstable	* 67	SA1088	Push button - Pulsante
01/12/08 f.p.(*)	68	SL3530	Label - Etichetta
	68	SL3705	Label - Etichetta
01/12/08 f.p.(*)	69	30A3620	Panel - Pannello
	69	SL3693	Panel - Pannello
(PPN-LCN10-18)	* 70	SL3223	Foot - Piedino
ø50÷ø70 (PPN-LCN10-18)	71	SL2745	Clip - Fascetta
	72	SL2349	Pivot - Perno
"1/4"" M-F"	73	SL1622	Cock - Rubinetto
Assembly	74	SA1092	Timer - Timer
	75	SL2904	Bracket - Staffa
V-8-S	76	SL0772	V-ring - V-ring