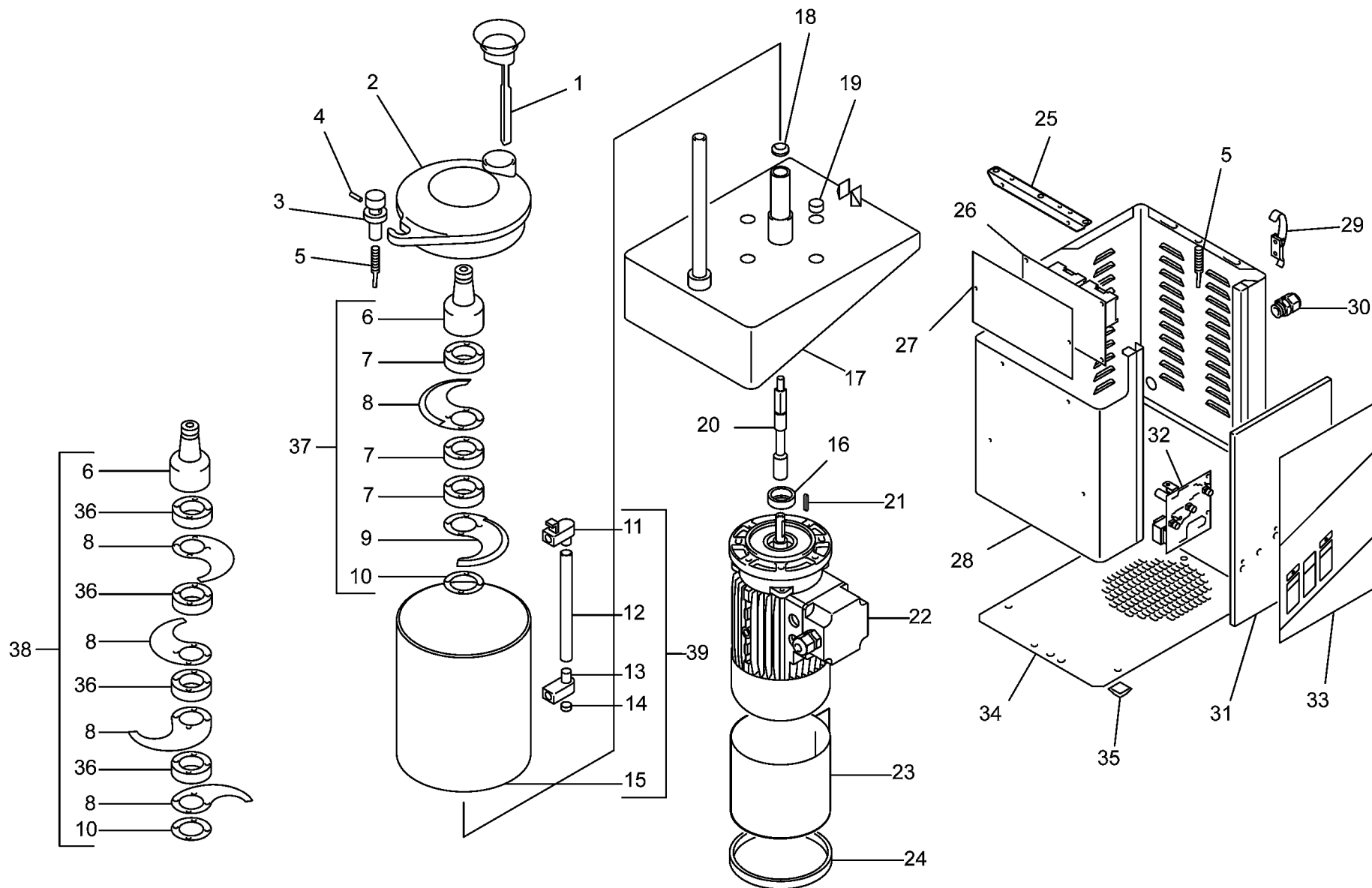


# EXPLOSIONSZEICHNUNG



KBS Gastrotechnik GmbH – Schoßbergstraße 26 – 65201 Wiesbaden



POS.	CODE
1	SA1085
1	SA1086
2	36Z0665
3	36D2910
4	31Z8890
5	32W3240
6	36G7010
7	36G0650
7	36G7040
8	36G7030
8	SL2301
9	SL1923
9	SL2302
10	3190070
11	36M5350
12	35X1870
12	35X1880
12	SL1930
13	36M5620
14	3600160
15	30W0330
15	30W3110
15	35W0320
16	SL0127
17	6000590
17	6000600
17	6000610
18	3151760
19	3190950
20	36G0620
20	36G7000
21	SL0010
22	32M0170
22	32M0200
22	SL0040
22	SL0041
22	SL0939
23	35D0380

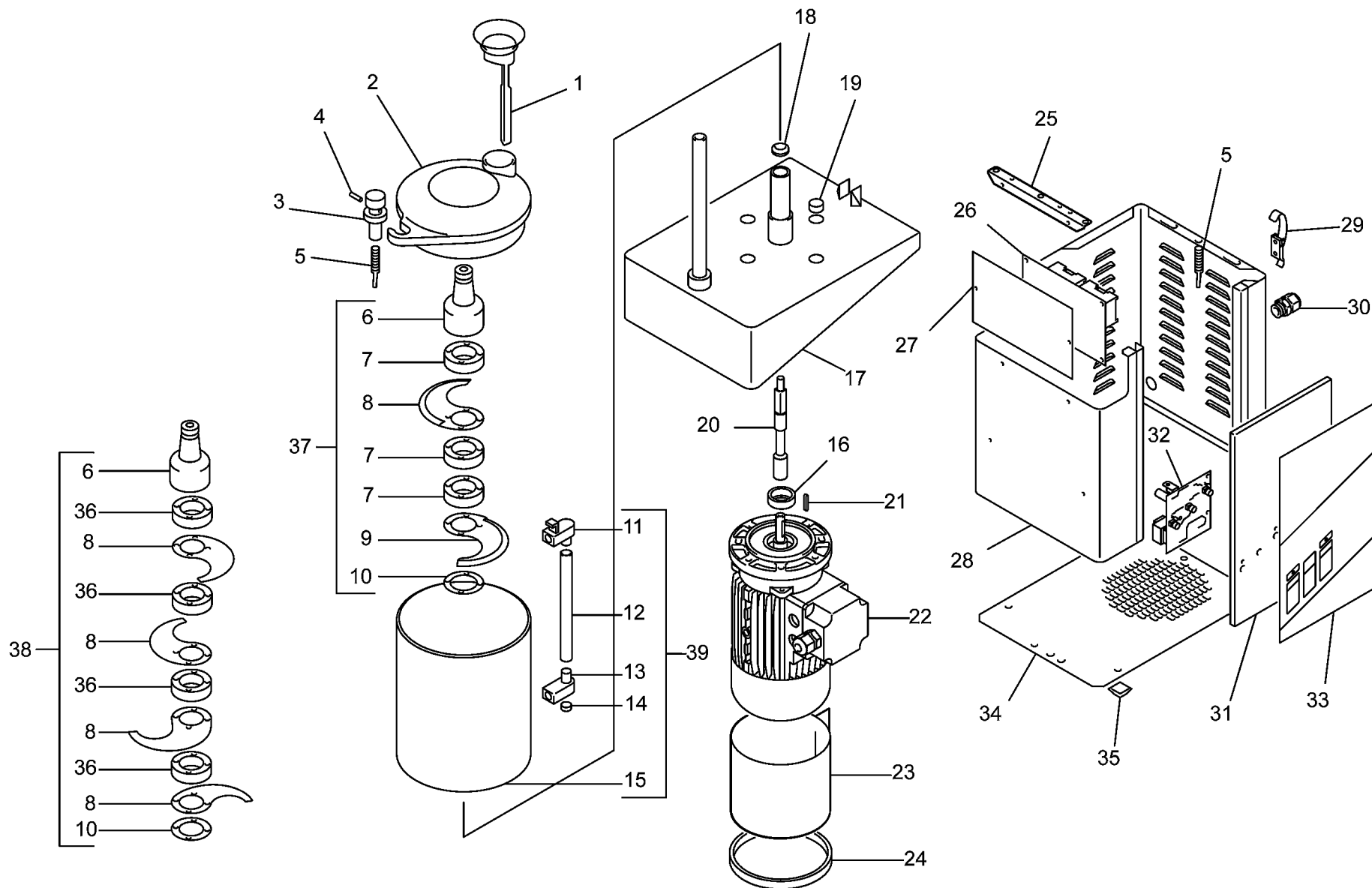


## SPARE PARTS TAVOLA RICAMBI

cl3-5-8

SPEC.	N.	CODE	DENOMINAZIONE - DENOMINATION
Assembly (CL3)	1	SA1085	Cap - Tappo
Assembly (CL5-8)	1	SA1086	Cap - Tappo
Assembly	* 2	36Z0665	Cover - Coperchio
	3	36D2910	Cap - Tappo
ø5x15 A2	4	31Z8890	Pin - Spina
	* 5	32W3240	Microswitch - Microinterruttore
	6	36G7010	Hub - Mozzo
(CL5-8)	7	36G0650	Ring - Anello
(CL3)	7	36G7040	Ring - Anello
	8	36G7030	Smooth blade - Lama liscia
	8	SL2301	Beater blade - Lama sbattitrice
	9	SL1923	Smooth blade - Lama liscia
	9	SL2302	Beater blade - Lama sbattitrice
	10	3190070	Washer - Rosetta
	11	36M5350	Cap - Tappo
(CL5)	12	35X1870	Pipe - Tubo
(CL3)	12	35X1880	Pipe - Tubo
(CL8)	12	SL1930	Pipe - Tubo
	13	36M5620	Cap - Tappo
	* 14	3600160	Magnet - Magnete
(CL8)	15	30W0330	Pan - Pentola
(CL3)	15	30W3110	Pan - Pentola
(CL5)	15	35W0320	Pan - Pentola
ø17xø40x7	16	SL0127	Oil seal - Paraolio
Assembly (CL3)	17	6000590	Covering - Copertura
Assembly (CL5)	17	6000600	Covering - Copertura
Assembly (CL8)	17	6000610	Covering - Copertura
V-16-S	18	3151760	V-ring - V-ring
	19	3190950	Cap - Tappo
(CL5-8)	20	36G0620	Shaft - Albero
(CL3)	20	36G7000	Shaft - Albero
5x5x20	21	SL0010	Key - Linguetta
24/06/04 f.p.(*) 400V/3Ph/50Hz (CL5-8)	22	32M0170	Motor - Motore
31/07/04 f.p.(*) 230V/1Ph/50Hz (CL5-8)	22	32M0200	Motor - Motore
400V/3Ph/50Hz (CL3-5-8)	22	SL0040	Motor - Motore
230V/1Ph/50Hz (CL3-5-8)	22	SL0041	Motor - Motore
400V/3Ph/50Hz (2 speed - CL5-8)	22	SL0939	Motor - Motore
(CL5-8)	23	35D0380	Conveyor - Convogliatore

\*Ricambio consigliato - Advised spare parts



**POS. CODE**

24	139AA02
25	35V2920
26	32Z4840
26	SL2512
26	SL2513
26	SL2514
27	32D0400
27	32D0630
27	SL2783
27	SL2784
28	35W4460
28	35W4520
29	SL1840
30	SL1757
31	35Q9530
31	35V4090
31	35V4100
32	32Z6990
32	32Z7000
33	SL3538
33	SL3539
34	35M8860R0
35	3178340
36	36G7040
37	COLCL3L2
37	COLCL3L2S
37	COLCL58L2
37	COLCL58L2S
38	COLCL58L4
38	COLCL58L4S
39	51CE959
39	51CE964
39	51CE965



**SPARE PARTS  
TAVOLA RICAMBI**

**cl3-5-8**

SPEC.	N.	CODE	DENOMINAZIONE - DENOMINATION
(CL5-8)	24	139AA02	Gasket - Guarnizione
	25	35V2920	Bracket - Staffa
15/09/03 f.p.(*)	26	32Z4840	Remote control switch - Teleruttore
230V/1Ph/50Hz (CL3-5-8)	* 26	SL2512	Electronic card - Scheda elettronica
400V/3Ph/50Hz (CL3-5-8)	* 26	SL2513	Electronic card - Scheda elettronica
400V/3Ph/50Hz (2 speed - CL5-8)	* 26	SL2514	Electronic card - Scheda elettronica
15/09/03 f.p.(*)	27	32D0400	Plate - Piastra
15/09/03 f.p.(*)	27	32D0630	Plate - Piastra
(CL3-5-8)	27	SL2783	Plate - Piastra
(2 speed - CL5-8)	27	SL2784	Plate - Piastra
(CL5-8)	28	35W4460	Housing - Carcassa
(CL3)	28	35W4520	Housing - Carcassa
	29	SL1840	Handle - Maniglia
PG13,5	30	SL1757	Cable clamp - Pressacavo
(CL5-8)	31	35Q9530	Covering - Copertura
(CL3)	31	35V4090	Covering - Copertura
(2 speed - CL5-8)	31	35V4100	Covering - Copertura
(CL3-5-8)	* 32	32Z6990	Electronic card - Scheda elettronica
(2 speed - CL5-8)	* 32	32Z7000	Electronic card - Scheda elettronica
(CL3-5-8)	33	SL3538	Label - Etichetta
(2 speed - CL5-8)	33	SL3539	Label - Etichetta
	34	35M8860R0	Bottom - Fondo
	* 35	3178340	Foot - Piedino
(4 blades)	36	36G7040	Ring - Anello
Assembly (CL3) - 2 blades	37	COLCL3L2	Smooth cutter - Coltello liscio
Assembly (CL3) - 2 blades	37	COLCL3L2S	Beater cutter - Coltello sbattitore
Assembly (CL5-8) - 2 blades	37	COLCL58L2	Smooth cutter - Coltello liscio
Assembly (CL5-8) - 2 blades	37	COLCL58L2S	Beater cutter - Coltello sbattitore
Assembly (CL5-8) - 4 blades	38	COLCL58L4	Smooth cutter - Coltello liscio
Assembly (CL5-8) - 4 blades	38	COLCL58L4S	Beater cutter - Coltello sbattitore
Assembly (CL3)	39	51CE959	Pan - Pentola
Assembly (CL5)	39	51CE964	Pan - Pentola
Assembly (CL8)	39	51CE965	Pan - Pentola