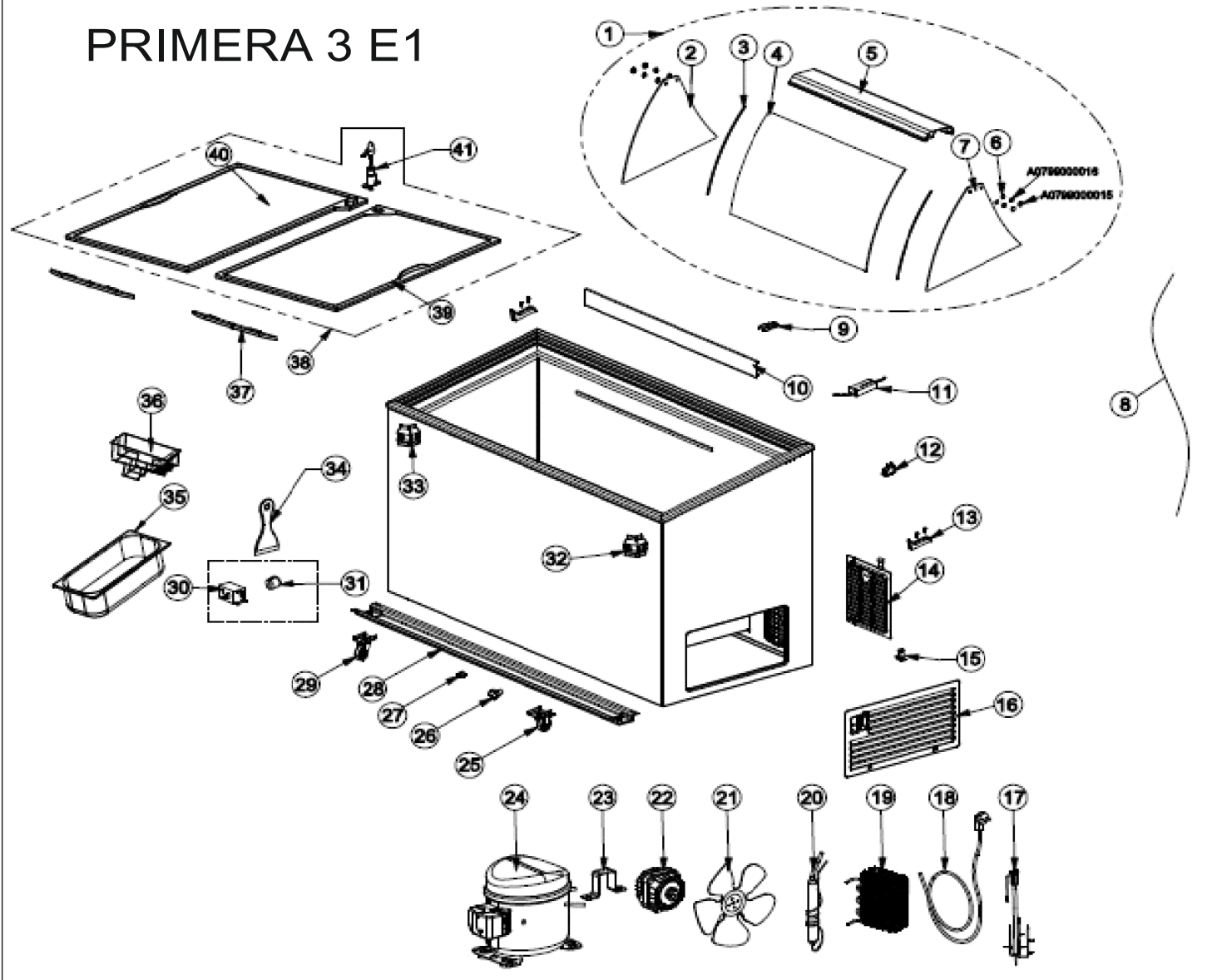


EXPLOSIONSZEICHNUNG



KBS Gastrotechnik GmbH – Schoßbergstraße 26 – 65201 Wiesbaden

PRIMERA 3 E1



	Pos.	Code	Description (ENG)
SERVICE GLASS	1		LID SET SERVING GLASS
	2	J160303	GLASS
	3	J160209	WICK
	4	T950307	GLASS
	5	T950301	ALUMINIUM PROFILE
	6	J1603/2	PLASTIC WASHER
	7	J160302	GLASS
	--		SCREW
	--		METAL WASHER

CABINET	8		LED
	9		LIGHTING ASSEMBLY PLASTIC
	10		LIGHTING PROFILE CAP
	11		POWER SOURCE
	12	J164803	ON-OFF KEY SWITCH
	13	J160216	PLASTIC CURNEL SUPPORT
	14		BACK KICK PLATE
	15		CABLE CLAMP FOR LOUVRED PLATE
	16		LOUVRED PLATE SIDE 505x250
	17		GROUPING CABLE
	18		OPERATING CABLE
	19		CONDENSER
	20		DRYER
	21		ALUMINIUM FAN BLADE(SUCKING)
	22	J101903	FAN MOTOR
	23		FAN MOTOR FOOT SHEET
	24		COMPRESSOR GMCC PZ110H1D R600a
	25		WHEEL
	26	J177103	OUTER DRAIN PLUG
	27	J177104	INNER DRAIN PLUG
	28	T950101	ROLLER SHEET
	29		WHEEL
	30	J164806	THERMOSTAT
	31	N394801	THERMOSTAT BUTTON
	32	J160213	RIGHT CORNER PROFILE
	33	J160214	LEFT CORNER PROFILE
	34	J160313	ICE SCRAPER
	35		ICE CREAM BIN
	36	J160202	WIRE BASKET
	37	J200501	PLASTIC STRIP FOR ALU FRAME
	38		LID GROUP COMPLETE
	39	T950501	BOTTOM LID GROUP
	40	T950502	TOP LID GROUP
	41	J1604/1	FIXED LOCK WITH KEYS