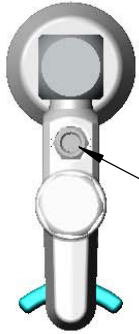




ADA Compliant



Volume Control Adjustable w/ Screwdriver

This Space for Architect/Engineer Approval

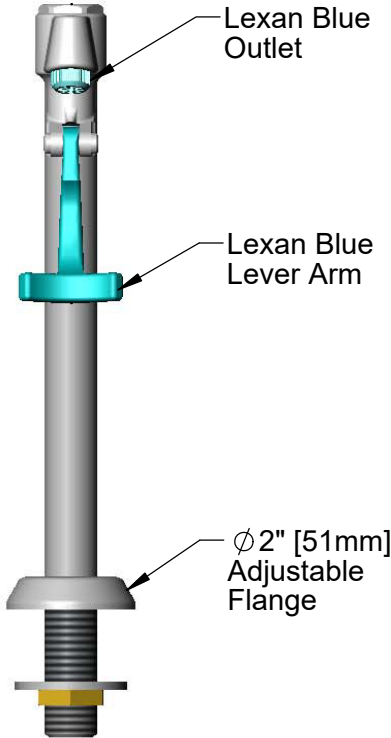
Job Name _____ Date _____

Model Specified _____ Quantity _____

Customer/Wholesaler _____

Contractor _____

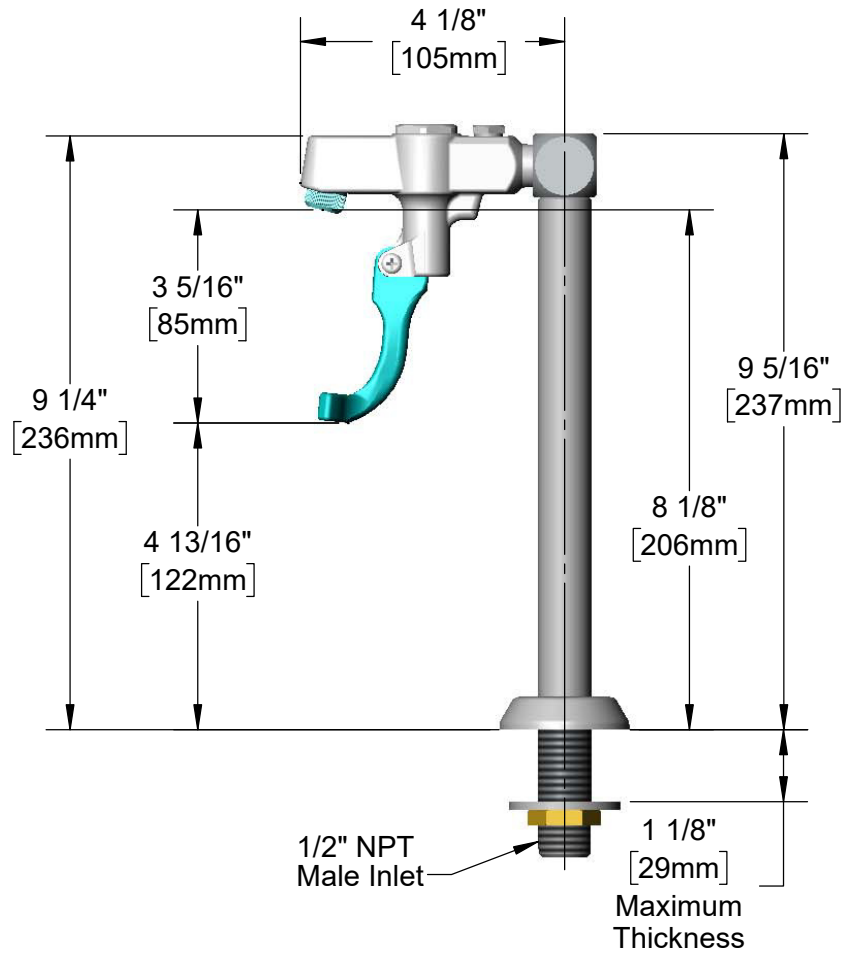
Architect/Engineer _____



Lexan Blue Outlet

Lexan Blue Lever Arm

Ø 2" [51mm] Adjustable Flange



Rough-In Requirement:
Ø 1" [25mm] Hole

Model Number
5GF-8P

Product Compliance:
ASME A112.18.1 / CSA B125.1
NSF 61 - Section 9
NSF 372 (Low Lead Content)
ANSI A117.1 (ADA)

Product Specifications:
Pedestal Type Glass Filler, Push Back Design, 1/2" NPT Male Shank, Adjustable Flange & Blue Self-Closing Lexan Arm

equip
Foodservice
Accessories



2 Saddleback Cove, P.O. Box 1088
Travelers Rest, South Carolina 29690
Phone: 800.891.4808 Fax: 800.868.0084
equip.tsbrass.com