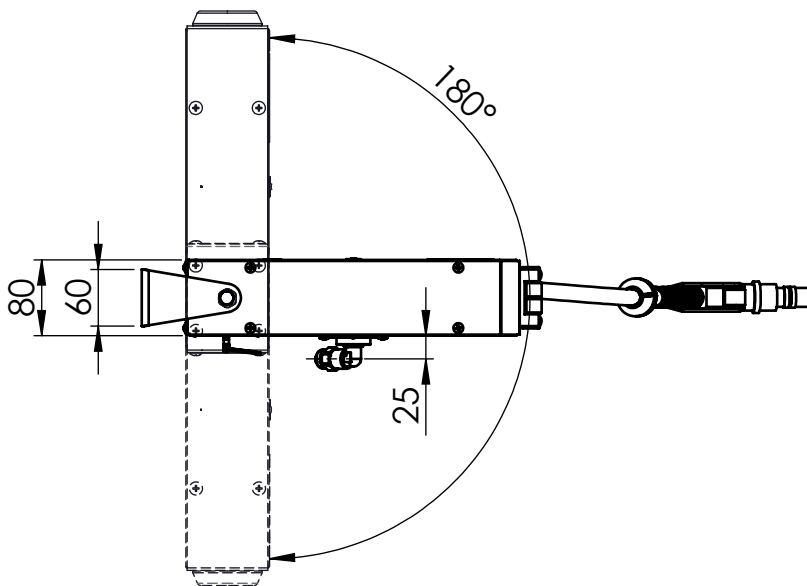
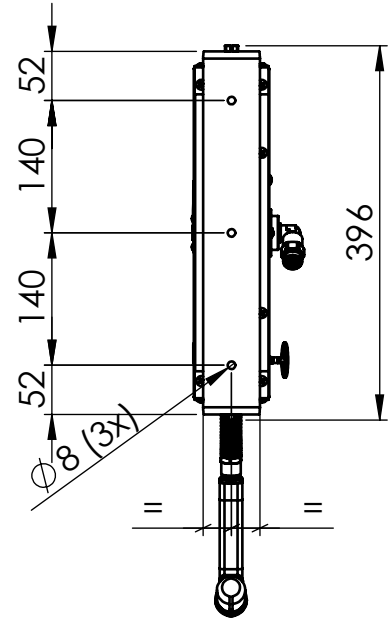
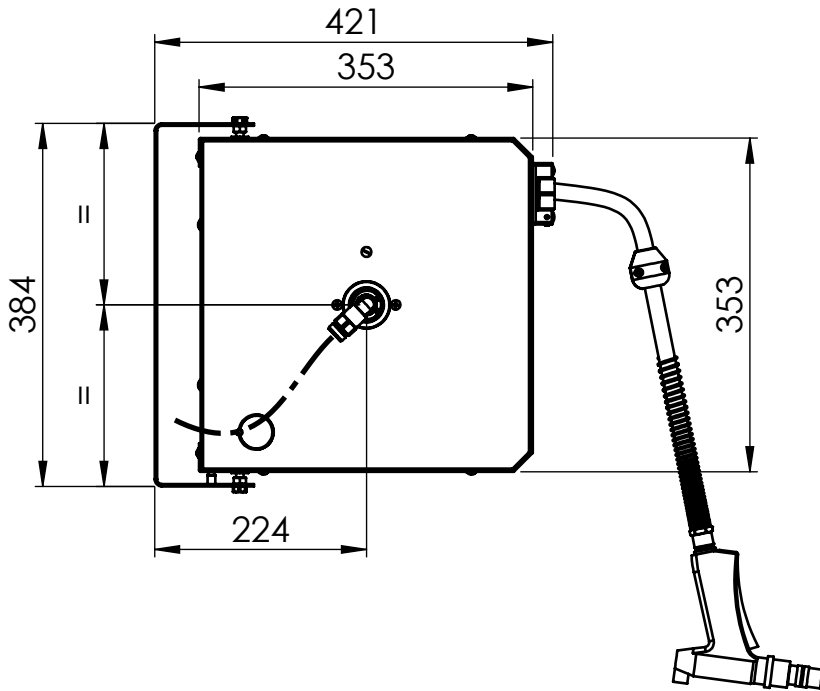


SCHNITTZEICHNUNG



KBS Gastrotechnik GmbH – Schoßbergstraße 26 – 65201 Wiesbaden



AISI 304 Case & Wall Bracket

Inlet Pipe Path Through The Support Ring

G1/2" Male Inlet (Left side)

DN10 x 6 meters Drinking Water grade Rubber Hose

Nito 1 Spray Gun

TITLE / DESCRIZIONE	DRN / DIS	CHD / VER	APPR
Enclosed, wall-mount swivel MIDiReel Hose Reel with 6 meter-long (DN10) drinking water grade retractable hose. NITO 1 spray valve, G1/2" male inlet with built-in check valve, Cover and Wall Bracket AISI 304 Stainless Steel	SCALE / SCALA 1:8	DATE / DATA 19/06/2020	SHEET / PAG 1 of 2
This drawing contains proprietary information which is the property of KLARCO S.R.L. without whose written permission it may not be copied, shown or handed to a third party or otherwise used	Questo disegno contiene informazioni di proprietà di KLARCO S.R.L. e senza la sua autorizzazione scritta non può essere copiato, mostrato o ceduto a terzi o in qualsiasi altro modo usato	NUMBER / CODICE DIS. MODEL / PRODOTTO	5R.M6Q.T448