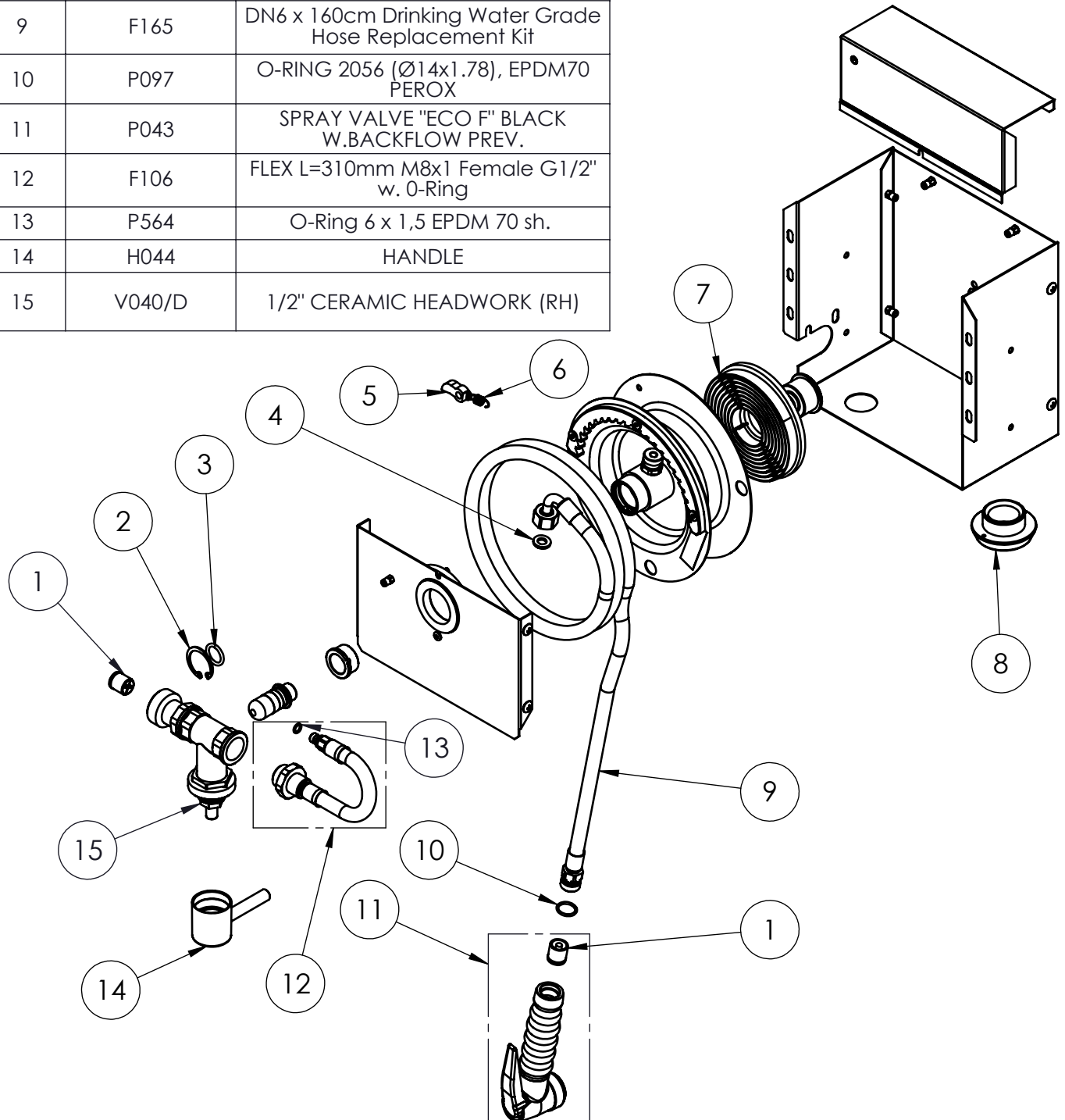


# EXPLOSIONSZEICHNUNG



KBS Gastrotechnik GmbH – Schoßbergstraße 26 – 65201 Wiesbaden

ITEM NO.	SALES NO.	DESCRIPTION
1	P030	BACKFLOW PREVENTER DW15/DN10
2	P313	SEEGER D=28mm
3	P072	O-Ring 119 EPDM d. 15,08 x 2,62mm
4	P327	FLAT GASKET 3/8" Ø14x8sp.2mm
5	P171	RATCHET
6	P211	Ratchet Spring
7	P389	10X0.8 MINIREEL SPRING
8	P268	BUSHING KIT
9	F165	DN6 x 160cm Drinking Water Grade Hose Replacement Kit
10	P097	O-RING 2056 (Ø14x1.78), EPDM70 PEROX
11	P043	SPRAY VALVE "ECO F" BLACK W.BACKFLOW PREV.
12	F106	FLEX L=310mm M8x1 Female G1/2" w. O-Ring
13	P564	O-Ring 6 x 1,5 EPDM 70 sh.
14	H044	HANDLE
15	V040/D	1/2" CERAMIC HEADWORK (RH)



TITLE / DESCRIZIONE  
Enclosed MiNiReel Hose Reel with inlet shut-off valve with DN6 160cm Drinking Water Grade Hose . Spray valve "ECO P" black w.backflow preventer, G1/2" female inlet with built-in check valve, Housing AISI 304 Stainless Steel

DRN / DIS	CHD / VER	APPR
SCALE / SCALA 1:5	DATE / DATA 19/06/2020	SHEET / PAG 2 of 2
NUMBER / CODICE DIS.	MODEL / PRODOTTO <b>5R.MINI.KI043</b>	