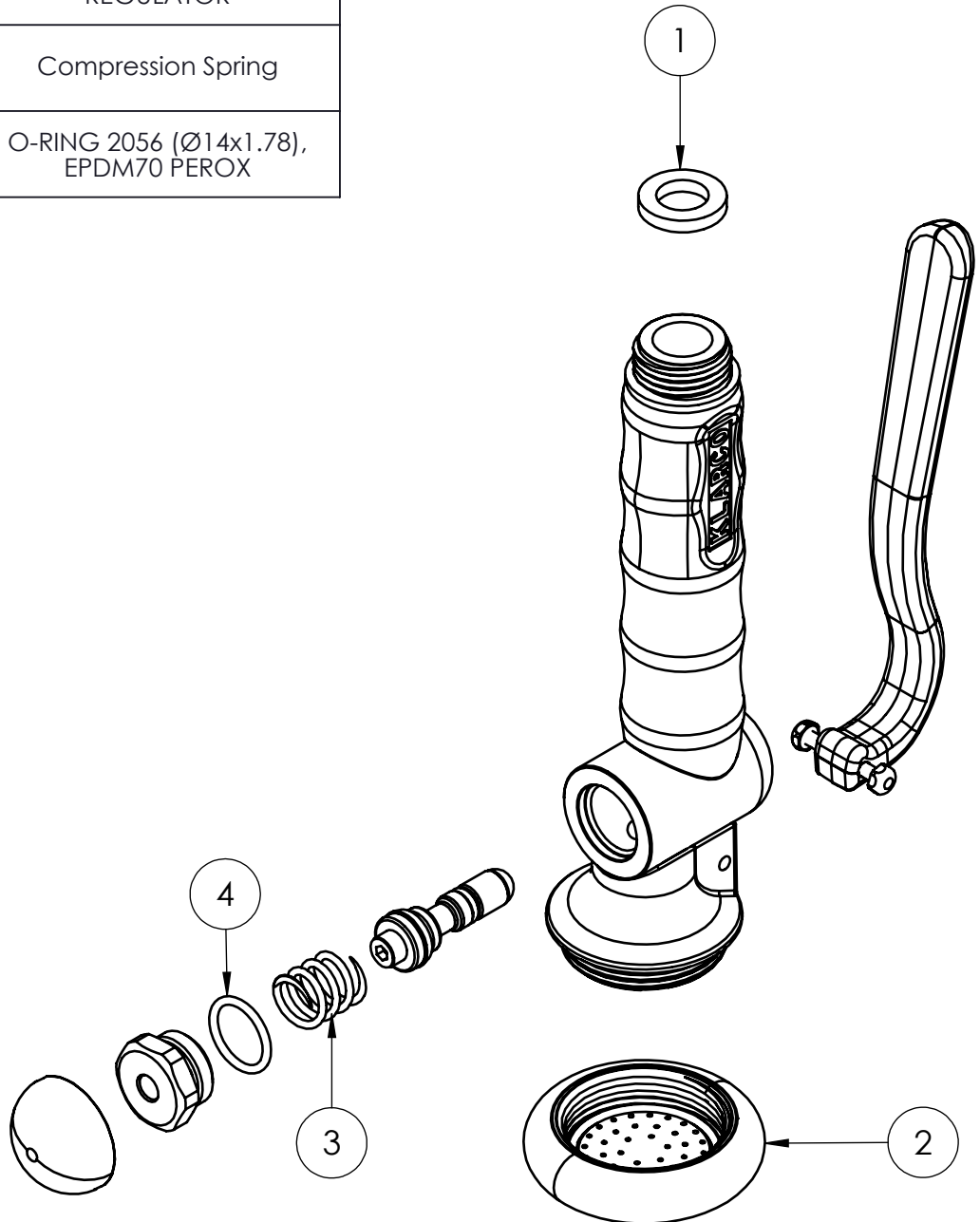


EXPLOSIONSZEICHNUNG



KBS Gastrotechnik GmbH – Schoßbergstraße 26 – 65201 Wiesbaden

ITEM NO.	SALES NO.	DESCRIPTION
1	P610	FLAT GASKET 1/2" Ø18,5x11 sp.3mm
2	P678/N	COMPLETE STREAM REGULATOR
3	P440	Compression Spring
4	P097	O-RING 2056 (Ø14x1.78), EPDM70 PEROX



PRODUCT COMPLIANCE:

REACH 1907/2006;
BWGL UBA verified by
DVGW CERT third-party

TITLE / DESCRIZIONE "BEST HOME" SPRAY VALVE / BLACK	DRN / DIS E.A.	CHD / VER	APPR
	SCALE / SCALA 1:1.5	DATE / DATA 10/03/2023	SHEET / PAG 2 of 2
NUMBER / CODICE DIS.		MODEL / PRODOTTO 0P.P516/N	