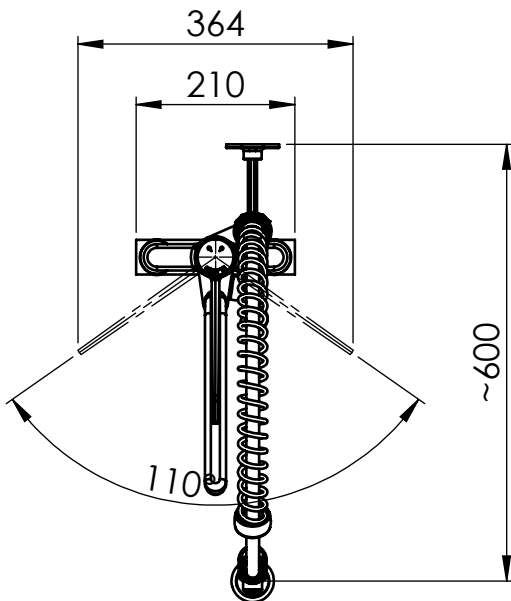


Lever opening angle: 0-25°



Lever rotation angle: 110°

Rough-In Requirement:  
23mm Mounting Hole

**PRODUCT COMPLIANCE:**

ROHS 2011/65/UE;  
REACH 1907/2006;  
DVGW Hygiene

TITLE / DESCRIZIONE Elevated deck-mount Pre-Rinse Unit. Chrome plated brass double hole (155mm center distance) with 220mm, black sanitary lever; high flow ceramic cartridge; mixing faucet with 240mm swivel nozzle; switch for spray valve/nozzle; 150mm-long risers; male G1/2"x50mm mounting shanks with check valves; stainless steel riser tube; 16l/min KLARCO "NEW" spray valve.	DRN / DIS <b>E.Artini</b>	CHD / VER	APPR
	SCALE / SCALA 1:10	DATE / DATA 02/01/23	SHEET / PAG 1 of 2
This drawing contains proprietary information which is the property of KLARCO S.R.L. without whose written permission it may not be copied, shown or handed to a third party or otherwise used	Questo disegno contiene informazioni di proprietà di KLARCO S.R.L. e senza la sua autorizzazione scritta non può essere copiato, mostrato o ceduto a terzi o in qualsiasi altro modo usato	NUMBER / CODICE DIS. MODEL / PRODOTTO <b>2S.3024.P020.76C48</b>	A4V