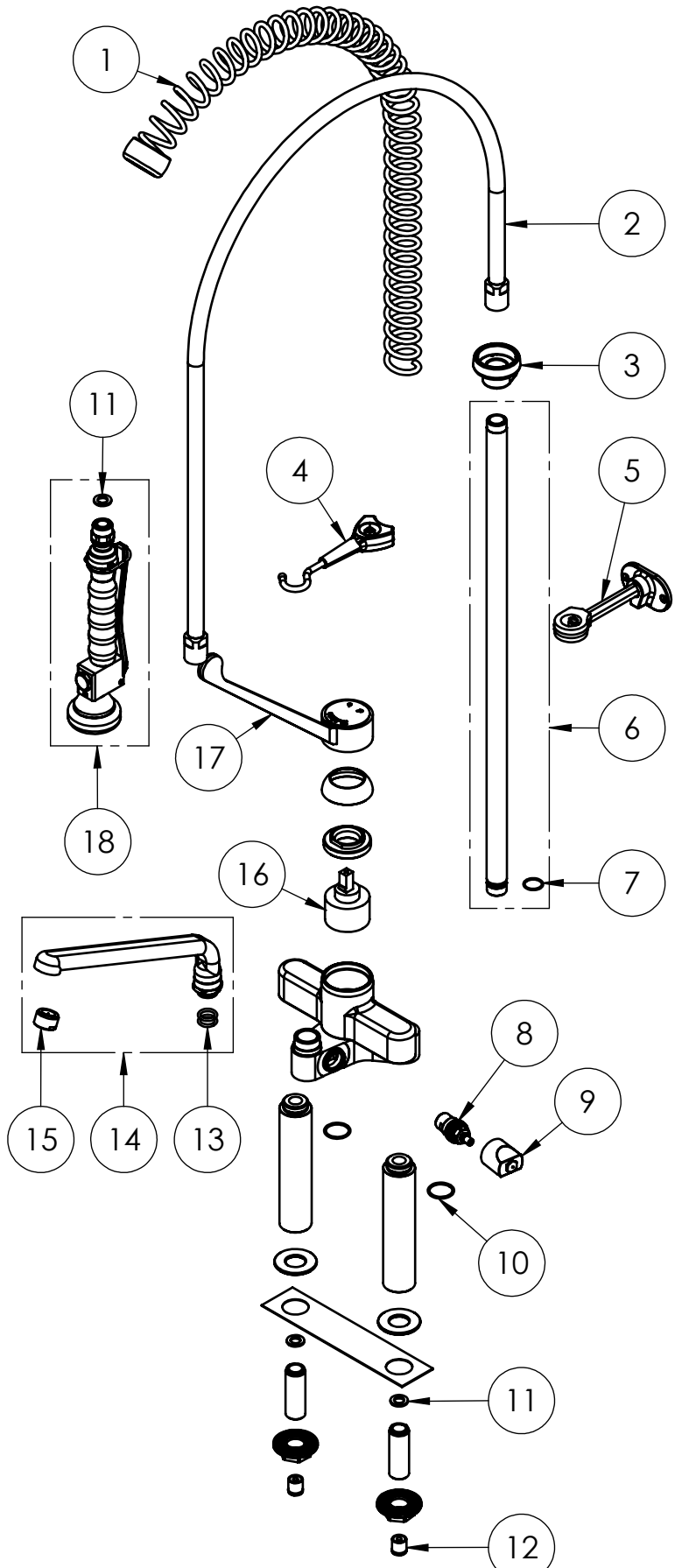


EXPLOSIONSZEICHNUNG



KBS Gastrotechnik GmbH – Schoßbergstraße 26 – 65201 Wiesbaden

ITEM NO.	SALES NO.	DESCRIPTION
1	P005	GRAY OVERHEAD SPRING
2	P664	L.110cm F1/2"xF1/2" FLEXIBLE HOSE
3	P090	SPRING SUPPORT
4	P091	SPRAY VALVE HOOK (BLACK)
5	P092	Wall Bracket L.115mm (BLACK)
6	P001	610mm G1/2" RISER WITH O-RING
7	P388	O-RING 18x1,5 EPDM 70sh.
8	V040/D	1/2" CERAMIC HEADWORK (RH)
9	H010	DIVERTER KNOB
10	P234	O-RING 24,00 X 2,00 EPDM 70 (4270) PEROX
11	P074	FLAT GASKET 1/2" Ø18,5x11 sp.2mm
12	P030	CHECK VALVE DW15/DN10
13	P205	O-RING 15,10x2,70 (su canne bif.mix e 20x320 RT)
14	C048	SWIVEL NOZZLE L.240 H.150
15	P065	FLOW REGULATOR M24x1
16	V070	Ø47 MIXING CARTRIDGE
17	H02K/N	ELBOW OPERATED BLACK LEVER (L.220mm)
18	P020	SPRAY VALVE "NEW" BLACK



PRODUCT COMPLIANCE:

ROHS 2011/65/UE;
REACH 1907/2006;
DVGW Hygiene

TITLE / DESCRIZIONE
Elevated deck-mount Pre-Rinse Unit. Chrome plated brass double hole (155mm center distance) with 220mm, black sanitary lever; high flow ceramic cartridge; mixing faucet with 240mm swivel nozzle; switch for spray valve/nozzle; 150mm-long risers; male G1/2"x50mm mounting shanks with check valves; stainless steel riser tube; 16l/min KLARCO "NEW" spray valve.

DRN / DIS E.Artini	CHD / VER	APPR
SCALE / SCALA 1:7	DATE / DATA 02/01/23	SHEET / PAG 2 of 2
NUMBER / CODICE DIS.	MODEL / PRODOTTO 2S.3024.P020.76C48	

This drawing contains proprietary information which is the property of KLARCO S.R.L. without whose written permission it may not be copied, shown or handed to a third party or otherwise used

Questo disegno contiene informazioni di proprietà di KLARCO S.R.L. e senza la sua autorizzazione scritta non può essere copiato, mostrato o ceduto a terzi o in qualsiasi altro modo usato