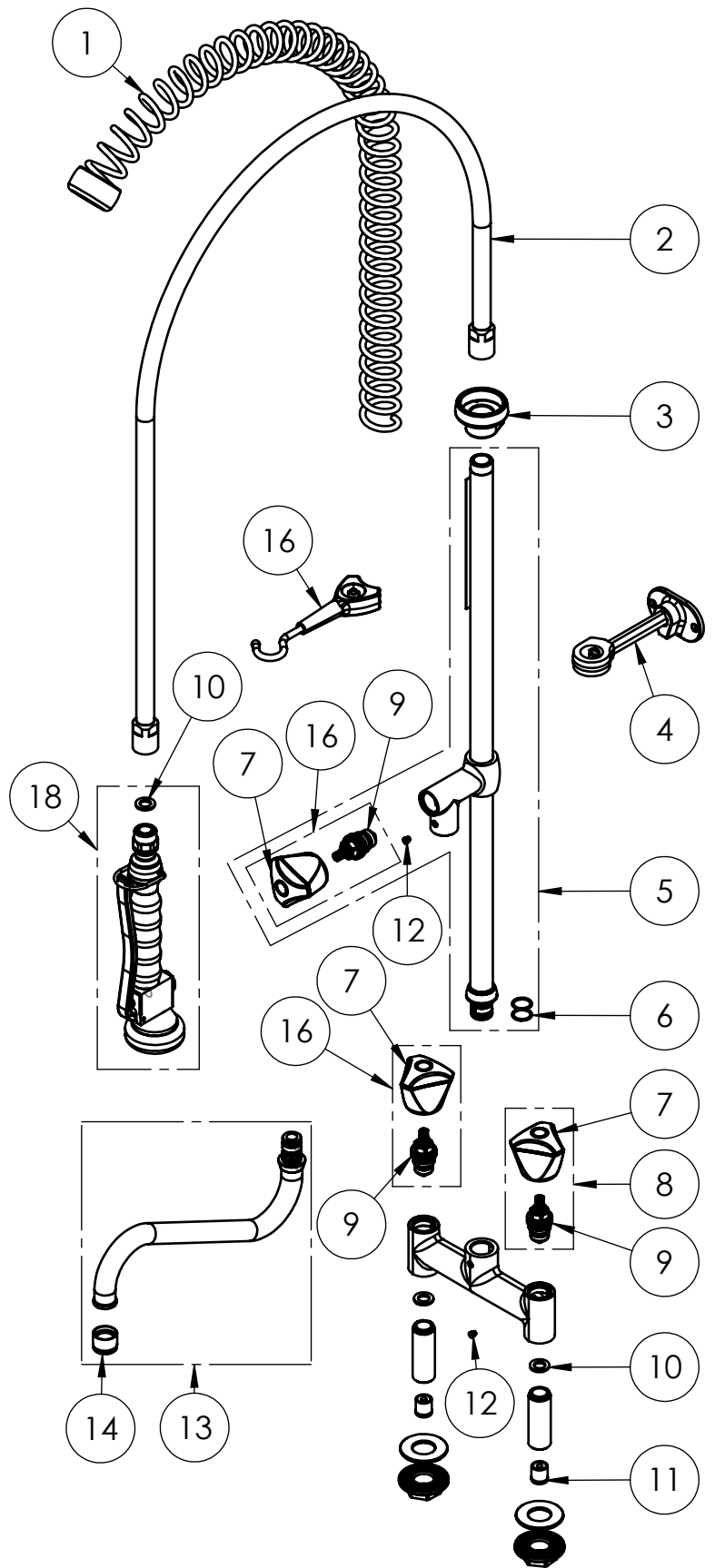


EXPLOSIONSZEICHNUNG



KBS Gastrotechnik GmbH – Schoßbergstraße 26 – 65201 Wiesbaden

ITEM NO.	SALES NO.	DESCRIPTION
1	P005	GRAY OVERHEAD SPRING
2	P664	L.110cm F1/2"xF1/2" FLEXIBLE HOSE
3	P090	SPRING SUPPORT
4	P092	Wall Bracket L.115mm (BLACK)
5	P266/S3	650mm G1/2" RISER WITH ADD-ON TAP AND O-RINGS
6	P076	O-RING 2062 (Ø15.6x1.78), EPDM 70 PEROX
7	H033	"3Pe" HANDLE W. COLOR CODED INDEX (specify the color B or R)
8	V0S3/B	COMPLETE HANDLE WITH BLUE CODED INDEX + HEADWORK KIT
9	VS0	G1/2" COMPRESSION HEADWORK
10	P074	FLAT GASKET 1/2" Ø18,5x11 sp.2mm
11	P030	CHECK VALVE DW15/DN10
12	P236	SPOUT SCREW (short)
13	C0S1	SWING NOZZLE Ø20x250x70
14	P015	STREAM REGULATOR (Ø20 SPOUT)
15	V0S3/R	COMPLETE HANDLE WITH RED CODED INDEX + HEADWORK KIT
16	P091	SPRAY VALVE HOOK (BLACK)
17	P020	SPRAY VALVE "NEW" BLACK



PRODUCT COMPLIANCE:

ROHS 2011/65/UE;
REACH 1907/2006;
DVGW Hygiene

TITLE / DESCRIZIONE	DRN / DIS	CHD / VER	APPR
Deck-mount Pre-Rinse Unit. Chrome plated brass double hole (155mm center distance); G1/2"x50mm mounting shanks with check-valves; G1/2" compression headworks; G1/2" turn ceramic headwork; stainless steel riser tube; 16l/min KLARCO "NEW" spray valve.	E.Artini		
	SCALE / SCALA 1:6.5	DATE / DATA 05/12/22	SHEET / PAG 2 of 2
This drawing contains proprietary information which is the property of KLARCO S.R.L. without whose written permission it may not be copied, shown or handed to a third party or otherwise used	Questo disegno contiene informazioni di proprietà di KLARCO S.R.L. e senza la sua autorizzazione scritta non può essere copiato, mostrato o ceduto a terzi o in qualsiasi altro modo usato	NUMBER / CODICE DIS. MODEL / PRODOTTO 3S.3102.19N.S3P020	A4V