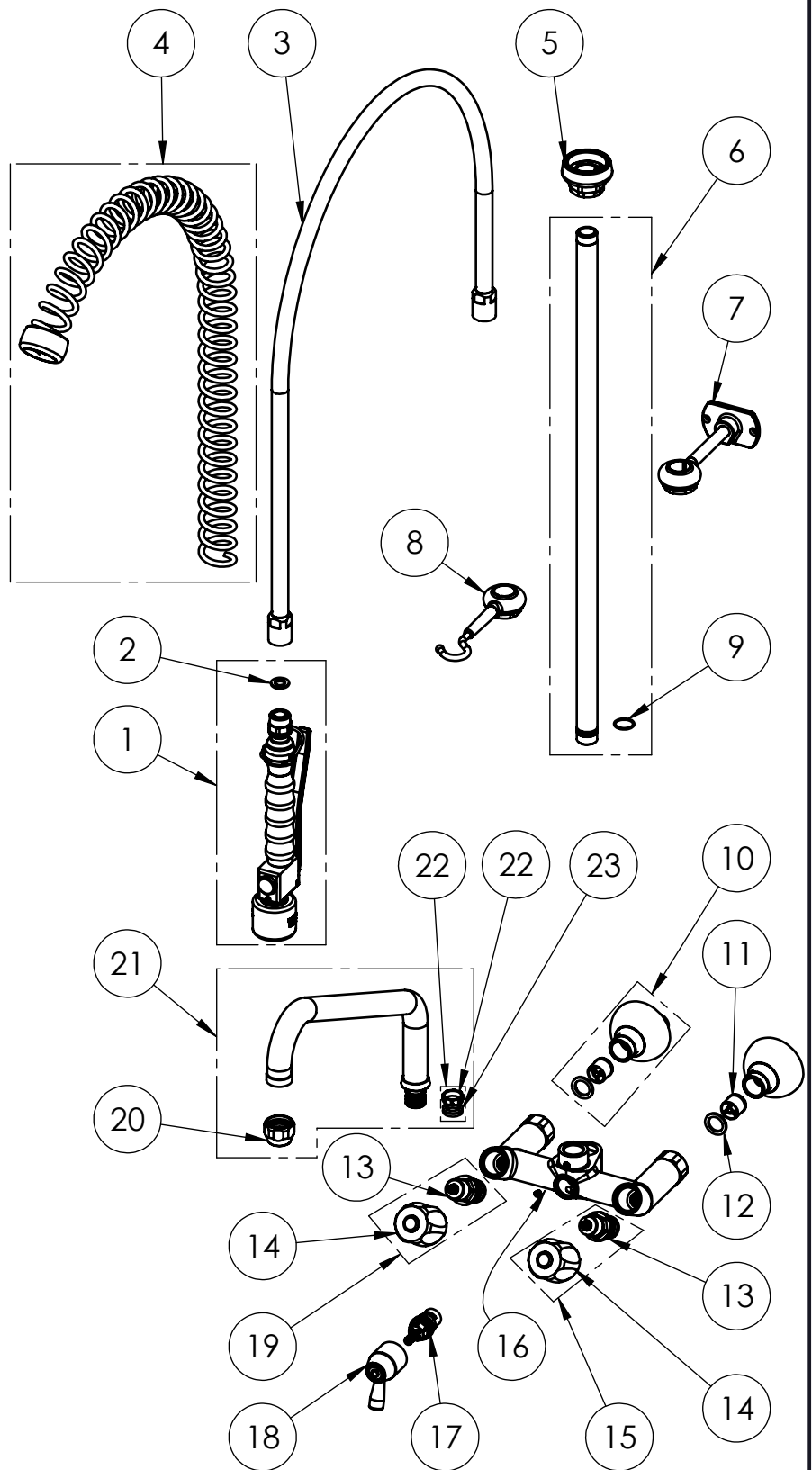


EXPLOSIONSZEICHNUNG



KBS Gastrotechnik GmbH – Schoßbergstraße 26 – 65201 Wiesbaden

ITEM NO.	SALES NO.	DESCRIPTION
1	P591	SPRAY VALVE "NEW " LOW-FLOW BLACK
2	P074	FLAT GASKET 1/2" Ø18,5x11 sp.2mm
3	P003	120cm Ø17 F1/2"xF1/2" FLEXIBLE HOSE
4	P005	OVERHEAD SPRING "GREY"
5	P007	SPRING CHROMED SUPPORT
6	P001	650mm G1/2" RISER W.O-Ring
7	P034	115mm WALL BRACKETCHROMED
8	P035	SPRAY VALVE CHROMED SUPPORT
9	P388	O-RING 18x1,5 EPDM 70sh.
10	P400	G1/2" MALE ECCENTRIC FLANGE w.BACKFLOW PREV.KIT
11	P031	BACKFLOW PREVENTER DW20-DN15
12	P107	FLAT GASKET 3/4" Ø24x17sp.2mm
13	V010	3/4" HEADWORK
14	H001/color	"EUROP" HANDLE W. COLOR CODED INDEX (specify the color B or R)
15	V011/B	COMPLETE HANDLE W.BLUE CODED INDEX +HEADWORK KIT
16	P236	SPOUT SCREW (short)
17	V0C0/D	1/2" CERAMIC HEADWORK (RH)
18	H021	DIVERTER KNOB
19	V011/R	COMPLETE HANDLE W.RED CODED INDEX +HEADWORK KIT
20	P613	#2 OR+#1 SWIVEL SLEEVE KIT FOR FAUCET/OUTLET
21	C019	SWING NOZZLE Ø25x300 h.150
22	P592	SWIVEL SLEEVE
23	P072	O-Ring 119 (Ø 15,08 x 2,62mm) EPDM 70
84	P014	STREAM REGULATOR OUTLET (Ø25 SPOUT)



TITLE / DESCRIZIONE
High flow wall mount (135-175mm adjustable center distance) slanted mixing Pre-Rinse Unit with 300mm swivel nozzle (Ø25mm), switch for spray valve/ nozzle. G1/2" male inlets with check valves, G3/4" high flow compression headworks, riser tube – stainless steel, brass, chrome plated. 4L/min KLARCO "NEW" low-flow spray valve.

This drawing contains proprietary information which is the property of KLARCO S.R.L. without whose written permission it may not be copied, shown or handed to a third party or otherwise used

Questo disegno contiene informazioni di proprietà di KLARCO S.R.L. e senza la sua autorizzazione scritta non può essere copiato, mostrato o ceduto a terzi o in qualsiasi altro modo usato

DRN / DIS	CHD / VER	APPR
SCALE / SCALA 1:7	DATE / DATA 02/03/2020	SHEET / PAG 2 of 2
NUMBER / CODICE DIS.	MODEL / PRODOTTO 2E.4015.4L.11.C19	A4V