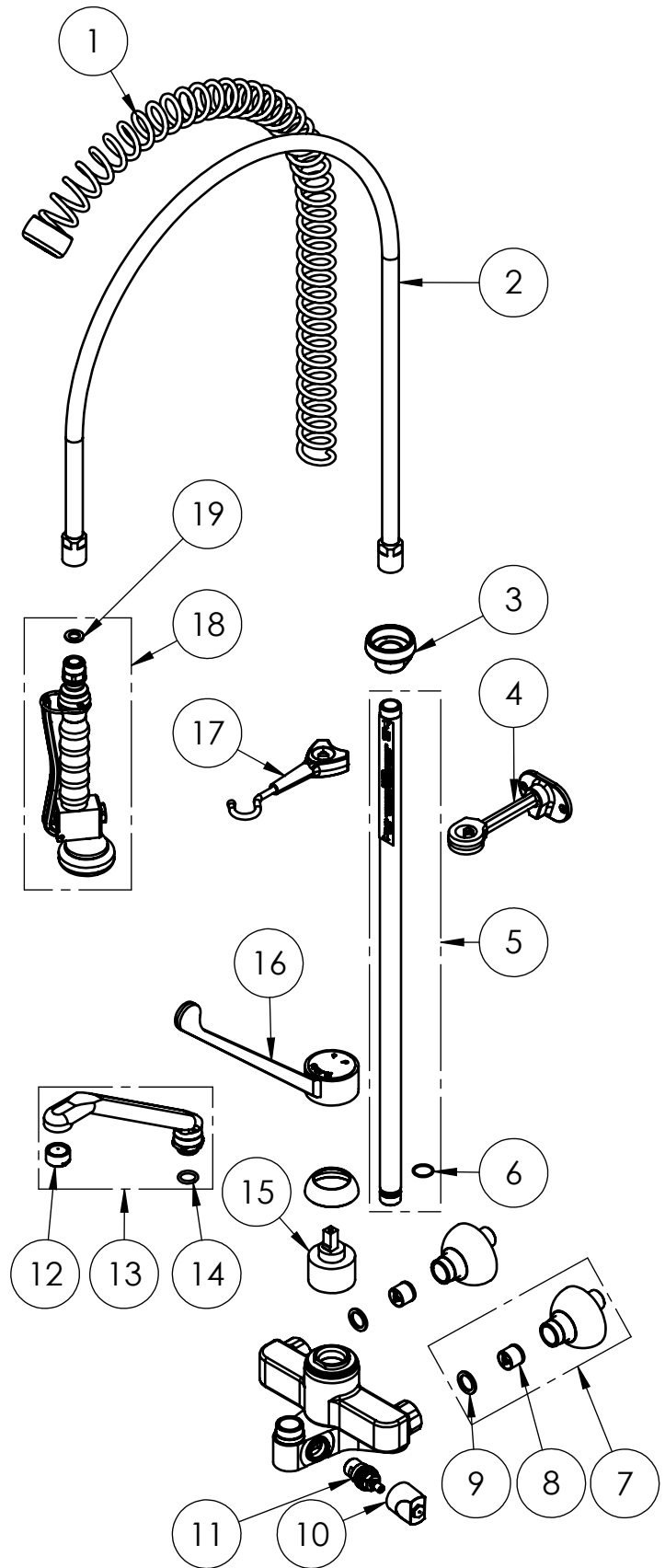


**PRODUCT COMPLIANCE:**  
ROHS 2011/65/UE;  
REACH 1907/2006

Lever rotation angle: 110°

TITLE / DESCRIZIONE Chrome plated brass double hole (155cm center distance). Wall mounting Pre-Rinse Unit 220mm black sanitary lever; mixing faucet with 200mm swivel nozzle; switch for spray valve/nozzle; G1/2" male inlets with check valves; high flow ceramic cartridge; stainless steel riser tube; 16l/min KLARCO "NEW" spray valve.	DRN / DIS	CHD / VER	APPR
	E.Artini		
SCALE / SCALA	1:10.5	DATE / DATA	SHEET / PAG
		18/11/22	1 of 2
NUMBER / CODICE DIS.	MODEL / PRODOTTO		
	2S.4024.45.76P020		A4V

ITEM NO.	SALES NO.	DESCRIPTION
1	P005	GRAY OVERHEAD SPRING
2	P664	L.110cm F1/2"xF1/2" FLEXIBLE HOSE
3	P090	SPRING SUPPORT
4	P092	Wall Bracket L.115mm (BLACK)
5	P001	650mm G1/2" RISER WITH O-RING
6	P388	O-RING 18x1,5 EPDM 70sh.
7	P400	G1/2" MALE ECCENTRIC FLANGE WITH CHECK VALVE KIT
8	P031	CHECK VALVE DW20-DN15
9	P107	FLAT GASKET 3/4" Ø24x17sp.2mm
10	H010	DIVERTER KNOB
11	V040/D	1/2" CERAMIC HEADWORK (RH)
12	P065	FLOW REGULATOR M24x1
13	C045	SWING NOZZLE L.200mm
14	P205	O-RING 15,10x2,70
15	V070	Ø47 MIXING CARTRIDGE
16	H02K/N	ELBOW OPERATED BLACK LEVER (L.220mm)
17	P091	SPRAY VALVE HOOK (BLACK)
18	P020	"NEW" SPRAY VALVE
19	P074	FLAT GASKET 1/2" Ø18,5x11 sp.2mm



**PRODUCT COMPLIANCE:**

ROHS 2011/65/UE;  
REACH 1907/2006

TITLE / DESCRIZIONE  
Chrome plated brass double hole (155cm center distance). Wall mounting Pre-Rinse Unit 220mm black sanitary lever; mixing faucet with 200mm swivel nozzle; switch for spray valve/nozzle; G1/2" male inlets with check valves; high flow ceramic cartridge; stainless steel riser tube; 16l/min KLARCO "NEW" spray valve.

DRN / DIS  
E.Artini  
SCALE / SCALA  
1:7

CHD / VER  
DATE / DATA  
18/11/22

APPR  
SHEET / PAG  
2 of 2

This drawing contains proprietary information which is the property of KLARCO S.R.L. without whose written permission it may not be copied, shown or handed to a third party or otherwise used

Questo disegno contiene informazioni di proprietà di KLARCO S.R.L. e senza la sua autorizzazione scritta non può essere copiato, mostrato o ceduto a terzi o in qualsiasi altro modo usato

NUMBER / CODICE DIS.

MODEL / PRODOTTO  
2S.4024.45.76P020