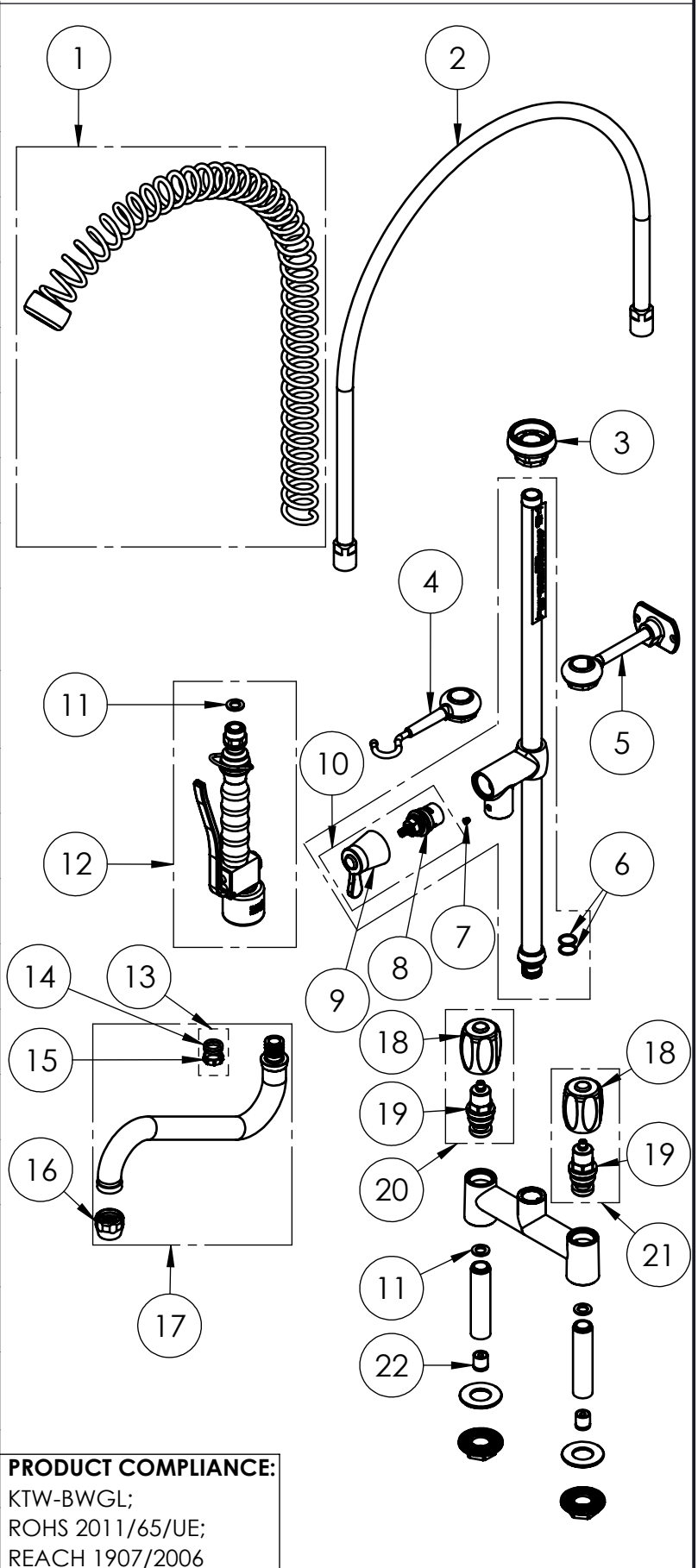


EXPLOSIONSZEICHNUNG



KBS Gastrotechnik GmbH – Schoßbergstraße 26 – 65201 Wiesbaden

| ITEM NO. | SALES NO. | DESCRIPTION |
|----------|------------|--|
| 1 | P005 | OVERHEAD SPRING "GREY" |
| 2 | P004 | 105cm Ø17 F1/2"xf1/2" FLEXIBLE HOSE |
| 3 | P007 | SPRING CHROMED SUPPORT |
| 4 | P035 | SPRAY VALVE CHROMED SUPPORT |
| 5 | P034 | 115mm WALL BRACKET CHROMED |
| 6 | P076 | O-RING 2062 (Ø15.6x1.78), EPDM 70 PEROX |
| 7 | P236 | SPOUT SCREW (short) |
| 8 | VF0/D | HIGH FLOW G3/4" CERAMIC HEADWORK (SHORT PIN - RH) |
| 9 | H009/color | "VOX" HANDLE W. COLOR CODED INDEX (specify the color B or R) |
| 10 | V0F9/R | COMPLETE HANDLE W. RED CODED INDEX+HEADWORK KIT |
| 11 | P074 | FLAT GASKET 1/2" Ø18,5x11 sp.2mm |
| 12 | P591 | SPRAY VALVE "NEW Low-flow" BLACK |
| 13 | P613 | #2 OR+#1 SWIVEL SLEEVE KIT FOR FAUCET/OUTLET |
| 14 | P072 | O-Ring 119 (Ø 15,08 x 2,62mm) EPDM 70 |
| 15 | P592 | SWIVEL SLEEVE |
| 16 | P014 | STREAM REGULATOR OUTLET (Ø25 SPOUT) |
| 17 | C0S3 | SWING NOZZLE Ø25x250 h.60 |
| 18 | H001/color | "EUROP" HANDLE W. COLOR CODED INDEX (specify the color B or R) |
| 19 | V010 | 3/4" HEADWORK |
| 20 | V011/B | COMPLETE HANDLE W. BLUE CODED INDEX+HEADWORK KIT |
| 21 | V011/R | COMPLETE HANDLE W. RED CODED INDEX+HEADWORK KIT |
| 22 | P030 | CHECK VALVE DW15/DN10 |



PRODUCT COMPLIANCE:

KTW-BWGL;
ROHS 2011/65/UE;
REACH 1907/2006

TITLE / DESCRIZIONE

Double-hole (155mm center distance), mixing temperature, deck mount Pre-Rinse Unit, riser add-on faucet with 250mm swivel nozzle (Ø 25mm). 80mm-long mounting shanks, G1/2" male inlets with check valves, G3/4" high flow compression headworks riser tube - stainless steel, brass, chrome plated. 4L/min KLARCO low-flow "NEW" spray valve.

This drawing contains proprietary information which is the property of KLARCO S.R.L. without whose written permission it may not be copied, shown or handed to a third party or otherwise used

Questo disegno contiene informazioni di proprietà di KLARCO S.R.L. e senza la sua autorizzazione scritta non può essere copiato, mostrato o ceduto a terzi o in qualsiasi altro modo usato

DRN / DIS

E.Atini

CHD / VER

APPR

SCALE / SCALA

1:7

DATE / DATA

04/08/22

SHEET / PAG

2 of 2

NUMBER / CODICE DIS.

MODEL / PRODOTTO

3E.3079.4L.11

A4V