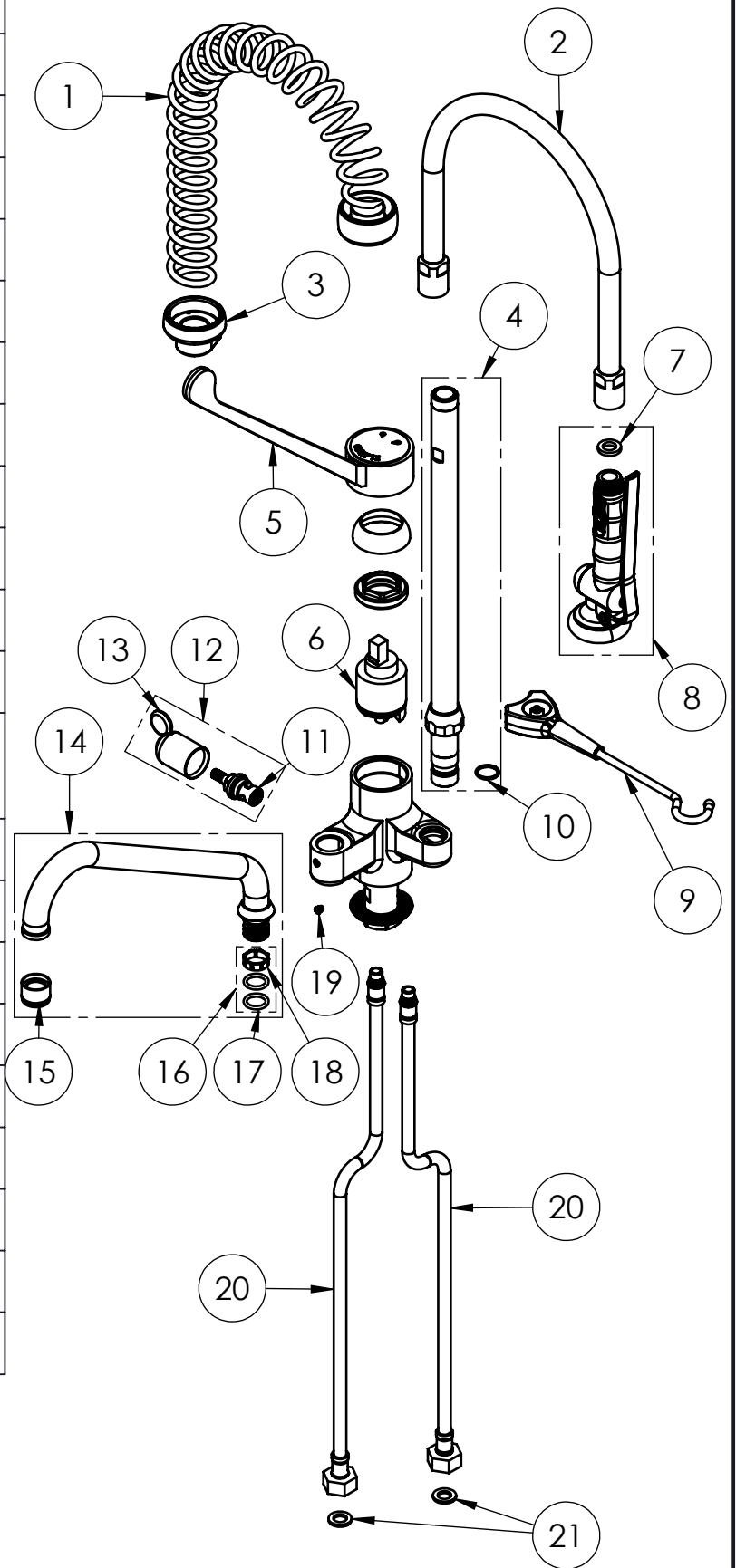


EXPLOSIONSZEICHNUNG



KBS Gastrotechnik GmbH – Schoßbergstraße 26 – 65201 Wiesbaden

ITEM NO.	SALES NO.	DESCRIPTION
1	P622/black	OVERHEAD SPRING KL60-70 BLACK
2	F153	Flexinox 60cm Ø14 (Øint.8) F1/2" F1/2"
3	P628/"color"	SHRINK SPRING SUPPORT (specify the color)
4	P633	KL60 RISER WITH O-RING
5	H02K/N	ELBOW OPERATED BLACK LEVER (L.220mm)
6	V090	CARTRIDGE Ø40mm W.DISTR.
7	P610	GASKET 1/2" Ø18,5x11 sp.3mm, FASIT OMNIA
8	P529/N	BLACK SPRAY VALVE "BEST SEMI"
9	P599/"color"	SPRAY VALVE HOOK (specify the color)
10	P076	O-RING 2062 (Ø15.6x1.78), EPDM 70 sh. PEROX
11	V0D0	3/8" CERAMIC HEADWORK (RH)
12	V0DT/R	COMPLEATA HANDLE WITH RED CODED INDEX+CERAMIC HEADWORK KIT
13	HTC/R	HANDLE W.RED CODED INDEX
14	C005B/5L	SWING NOZZLE Ø20x250x90
15	P626	5l/min STREAM REGULATOR OUTLET (Ø20 SPOUT)
16	P613	#2OR+#1 SWIVEL SLEEVE KIT FOR FAUCET/OUTLET
17	P072	O-Ring 119 (Ø 15,08 x 2,62mm) EPDM 70
18	P592	SWIVEL SLEEVE
19	P236	SPOUT SCREW (short)
20	F222	FLEXINOX Cm.45 10x1T x FV1/2+CHECK VALVE
21	P074	FLAT GASKET 1/2" Ø18,5x11 sp.2mm



PRODUCT COMPLIANCE:

ROHS 2011/65/UE;
REACH 1907/2006;
DVGW Hygiene

TITLE / DESCRIZIONE
SHRINK, 60cm tall, deck mount Pre Rinse Unit. Chrome plated brass single hole; mixing temperature; 105mm long G3/4" mounting shank; G3/8" female inlets with check valves; 250mm swivel nozzle (Ø20); 220mm long sanitary lever; high flow ceramic cartridge; stainless steel riser tube; 14l/min KLARCO "BEST SEMI" spray valve; black details.

This drawing contains proprietary information which is the property of KLARCO S.R.L. without whose written permission it may not be copied, shown or handed to a third party or otherwise used

Questo disegno contiene informazioni di proprietà di KLARCO S.R.L. e senza la sua autorizzazione scritta non può essere copiato, mostrato o ceduto a terzi o in qualsiasi altro modo usato

DRN / DIS A.E.	CHD / VER	APPR
SCALE / SCALA 1:5.5	DATE / DATA 23/12/22	SHEET / PAG 2 of 2
NUMBER / CODICE DIS.	MODEL / PRODOTTO 260N.R080N	