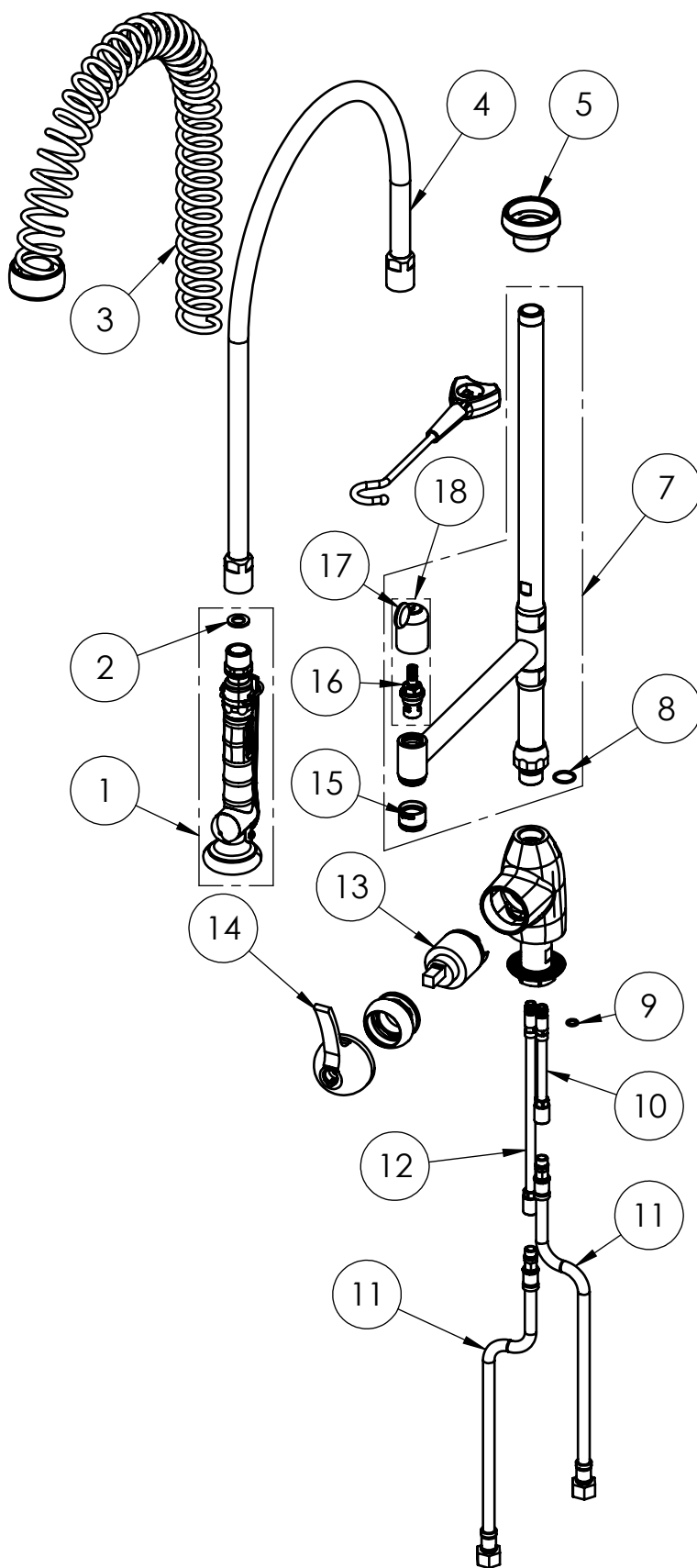


# EXPLOSIONSZEICHNUNG



KBS Gastrotechnik GmbH – Schoßbergstraße 26 – 65201 Wiesbaden

ITEM NO.	SALES NO.	DESCRIPTION
1	P529/"color"	SPRAY VALVE (specify the color)
2	P074	FLAT GASKET 1/2" Ø18,5x11 sp.2mm
3	P623/"color"	OVERHEAD SPRING SH80 (specify the color)
4	P510	82cm Ø17 F1/2"xF1/2" FLEXIBLE HOSE
5	P090	SPRING SUPPORT
6	P599/"color"	SPRAY VALVE HOOK (specify the color)
7	P625/D2/DT	SH70-80 RISER W.ADD ON TAP AND O-RING
8	P076	O-RING 2062 (Ø15.6x1.78), EPDM 70 PEROX
9	P158	O-RING 106 (Ø6.75x1.78), EPDM 70
10	P615	EXTENSION COPPER PIPE L.115mm w.O-RING
11	F181	L.35cm Flex S.S. Hose Ø10-DN6X Female G3/8" W.Backflow Preventer (C)
12	P617	EXTENSION COPPER PIPE L.210mm w.O-RING
13	V0P0	CARTRIDGE Ø40mm W.DISTR. (MOD.PISA)
14	H047	"PISA" CHROME PLATED LEVER
15	P626	5l/min STREAM REGULATOR OUTLET (Ø20 SPOUT)
16	V0D0	3/8" CERAMIC HEADWORK (RH)
17	HTC/R	"TOP" HANDLE W.RED CODED INDEX
18	V0DT/R	COMPLETE HANDLE W.RED CODED INDEX + CERAMIC HEADWORK KIT



TITLE / DESCRIZIONE

80 cm-tall SHRINK Single hole, mixing temperature, deck mount Pre-Rinse Unit with single Lever with riser add-on faucet with 220mm swivel nozzle. 50mm-long mounting shank, G3/8" female inlets with check valves, ceramic cartridge, riser tube - stainless steel, brass, chrome plated, black details.14L/min KLARCO P529 spray valve.

This drawing contains proprietary information which is the property of KLARCO S.R.L. without whose written permission it may not be copied, shown or handed to a third party or otherwise used

Questo disegno contiene informazioni di proprietà di KLARCO S.R.L. e senza la sua autorizzazione scritta non può essere copiato, mostrato o ceduto a terzi o in qualsiasi altro modo usato

DRN / DIS

SCALE / SCALA 1:6

NUMBER / CODICE DIS.

CHD / VER

DATE / DATA 25/03/2020

MODEL / PRODOTTO

380N.R040

APPR

SHEET / PAG 2 of 2

A4V