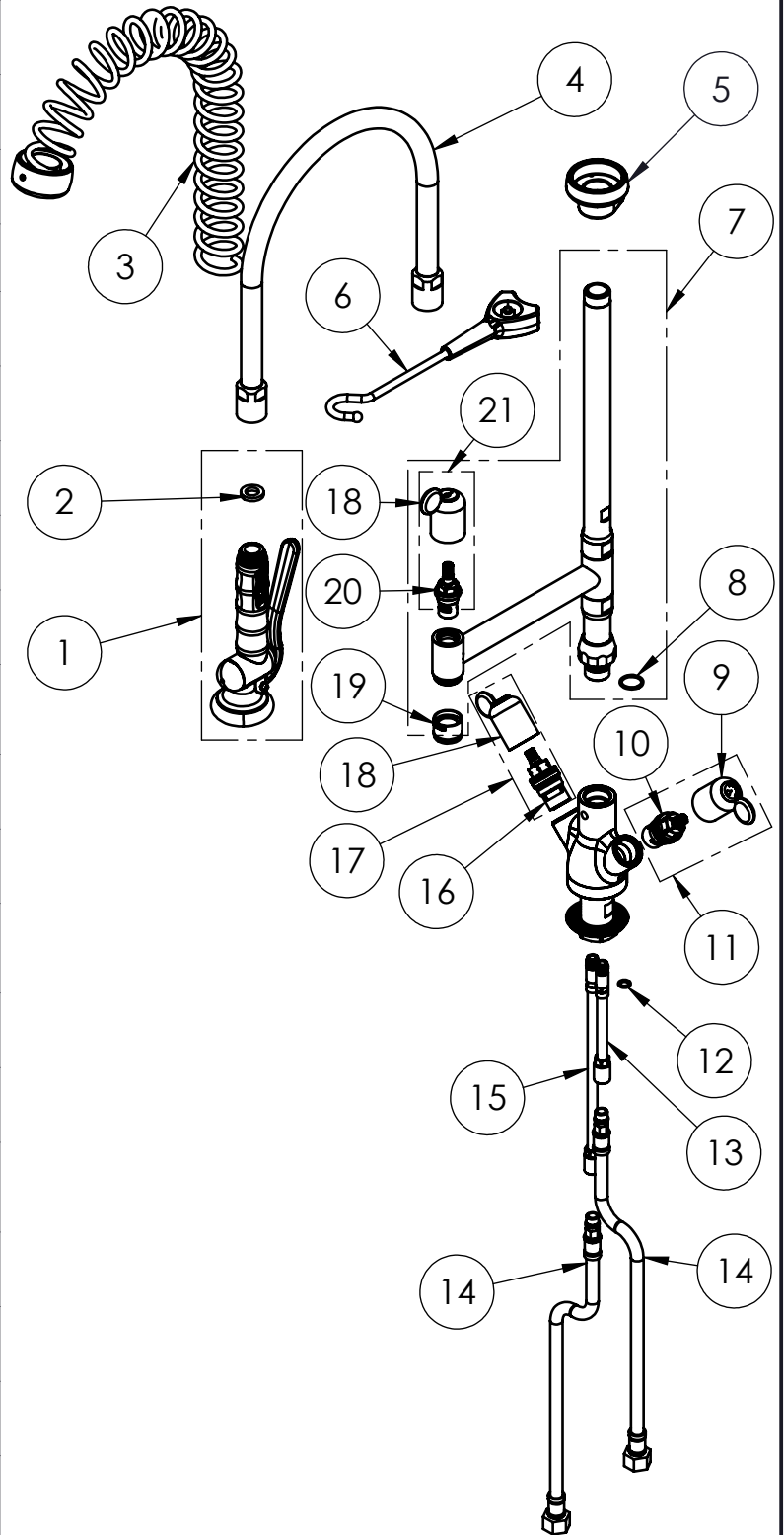


# EXPLOSIONSZEICHNUNG



KBS Gastrotechnik GmbH – Schoßbergstraße 26 – 65201 Wiesbaden

| ITEM NO. | SALES NO.    | DESCRIPTION  |
|----------|--------------|--|
| 1        | P529/"color" | SPRAY VALVE (specify the color)                                      |
| 2        | P610         | GASKET 1/2" Ø18,5x11 sp.3mm, FASIT OMNIA                             |
| 3        | P622/"color" | OVERHEAD SPRING SH60-70 (specify the color)                          |
| 4        | F153         | Flexinox 60cm Ø14 (Øint.8) F1/2" F1/2"                               |
| 5        | P090         | SPRING SUPPORT   |
| 6        | P599/"color" | SPRAY VALVE HOOK (specify the color)                                 |
| 7        | P606/D1/DT   | KL60 RISER W.ADD ON TAP L.170 AND O-RING                             |
| 8        | P076         | O-RING 2062 (Ø15.6x1.78), EPDM 70 PEROX                              |
| 9        | HTC/B        | "TOP" HANDLE W.BLUE CODED INDEX                                      |
| 10       | V0C0/D       | 1/2" CERAMIC HEADWORK (RH)   |
| 11       | V0CT/B       | COMPLETE HANDLE W.BLUE CODED INDEX + CERAMIC HEADWORK KIT            |
| 12       | P158         | O-RING 106 (Ø6.75x1.78), EPDM 70                                     |
| 13       | P615         | EXTENSION COPPER PIPE L.115mm w.O-RING                               |
| 14       | F181         | L.35cm Flex S.S. Hose Ø10-DN6X Female G3/8" W.Backflow Preventer (C) |
| 15       | P617         | EXTENSION COPPER PIPE L.210mm w.O-RING                               |
| 16       | V0C0/S       | 1/2" CERAMIC HEADWORK (LH)   |
| 17       | V0CT/R       | COMPLETE HANDLE W.RED CODED INDEX + CERAMIC HEADWORK KIT             |
| 18       | HTC/R        | "TOP" HANDLE W.RED CODED INDEX                                       |
| 19       | P626         | 5l/min STREAM REGULATOR OUTLET (Ø20 SPOUT)                           |
| 20       | V0D0         | 3/8" CERAMIC HEADWORK (RH)   |
| 21       | V0DT/R       | COMPLETE HANDLE W.RED CODED INDEX + CERAMIC HEADWORK KIT             |



TITLE / DESCRIZIONE  
60 cm-tall SHRINK Single hole, deck-mount, mixing temperature monoblock faucet Pre-Rinse Unit with riser add-on faucet with 170mm swivel nozzle. 50mm-long mounting shank, G3/8" female inlets with check valves, G1/2" ¼ turn ceramic headworks, riser tube – stainless steel, brass, chrome plated, black color details, 14L/min KLARCO P529 spray valve.

| DRN / DIS         | CHD / VER              | APPR               |
|-------------------|------------------------|--------------------|
| SCALE / SCALA 1:6 | DATE / DATA 25/03/2020 | SHEET / PAG 2 of 2 |

This drawing contains proprietary information which is the property of KLARCO S.R.L. without whose written permission it may not be copied, shown or handed to a third party or otherwise used

Questo disegno contiene informazioni di proprietà di KLARCO S.R.L. e senza la sua autorizzazione scritta non può essere copiato, mostrato o ceduto a terzi o in qualsiasi altro modo usato

NUMBER / CODICE DIS. MODEL / PRODOTTO  
**360N.R050CG**