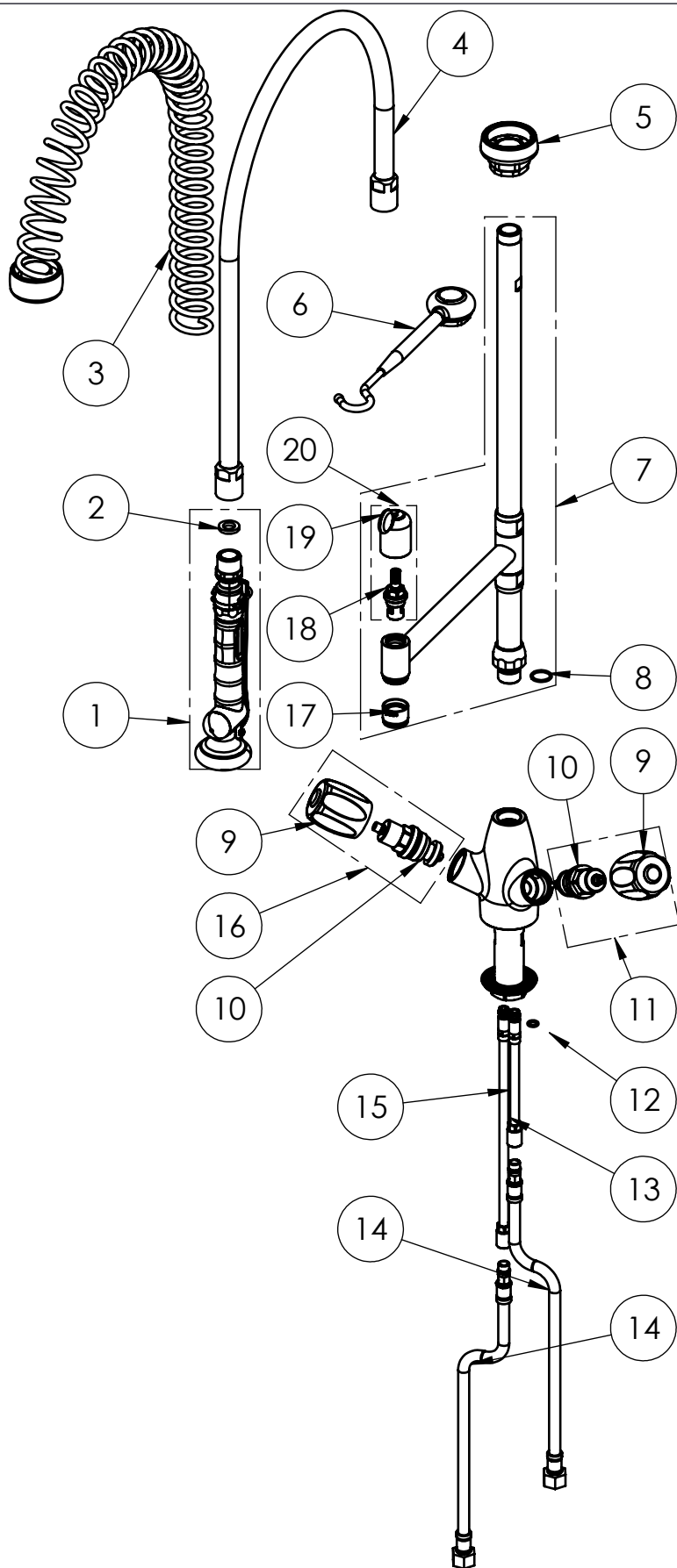


EXPLOSIONSZEICHNUNG



KBS Gastrotechnik GmbH – Schoßbergstraße 26 – 65201 Wiesbaden

ITEM NO.	SALES NO.	DESCRIPTION
1	P499/"color"	SPRAY VALVE "PRO" (specify the color)
2	P610	GASKET 1/2" Ø18,5x11 sp.3mm, FASIT OMNIA
3	P511/color	OVERHEAD SPRING INOX SH80 (specify the color)
4	P510	82cm Ø17 F1/2"xF1/2" FLEXIBLE HOSE
5	P007	SPRING CHROMED SUPPORT
6	P580	SPRAY VALVE HOOK CHROMED PLATED
7	P625/D2/DT	KL70-80 RISER W.ADD ON TAP AND O-RING
8	P076	O-RING 2062 (Ø15.6x1.78), EPDM 70 PEROX
9	H001/color	"EUROP" HANDLE W. COLOR CODED INDEX (specify the color B or R)
10	V010	3/4" HEADWORK
11	V011/B	COMPLETE HANDLE W.BLUE CODED INDEX +CERAMIC HEADWORK KIT
12	P158	O-RING 106 (Ø6.75x1.78), EPDM 70
13	P618	EXTENSION COPPER PIPE L.250mm w.O-RING
14	F181	L.35cm Flex S.S. Hose Ø10-DN6X Female G3/8" W.Backflow Preventer (C)
15	P616	EXTENSION COPPER PIPE L.140mm w.O-RING
16	V011/R	COMPLETE HANDLE W.RED CODED INDEX +CERAMIC HEADWORK KIT
17	P626	5l/min STREAM REGULATOR OUTLET (Ø20 SPOUT)
18	V0D0	3/8" CERAMIC HEADWORK (RH)
19	HTC/R	COMPLETE HANDLE W.RED CODED INDEX + CERAMIC HEADWORK KIT
20	V0DT/R	COMPLETE HANDLE W.RED CODED INDEX + CERAMIC HEADWORK KIT



TITLE / DESCRIZIONE
80 cm-tall SHRINK Single hole, mixing temperature, deck mount Pre-Rinse Unit with riser add-on faucet with 220mm swivel nozzle. 80mm-long mounting shank, G3/8" female inlets with check valves, G3/4" compression high flow headworks, riser tube and spring - stainless steel, brass, chrome plated, various colors and chrome plated details. 14L/min KLARCO "BEST PRO" spray valve.

This drawing contains proprietary information which is the property of KLARCO S.R.L. without whose written permission it may not be copied, shown or handed to a third party or otherwise used

Questo disegno contiene informazioni di proprietà di KLARCO S.R.L. e senza la sua autorizzazione scritta non può essere copiato, mostrato o ceduto a terzi o in qualsiasi altro modo usato

DRN / DIS	CHD / VER	APPR
SCALE / SCALA 1:6	DATE / DATA 25/03/2020	SHEET / PAG 2 of 2
NUMBER / CODICE DIS.	MODEL / PRODOTTO 380CN.R020	A4V