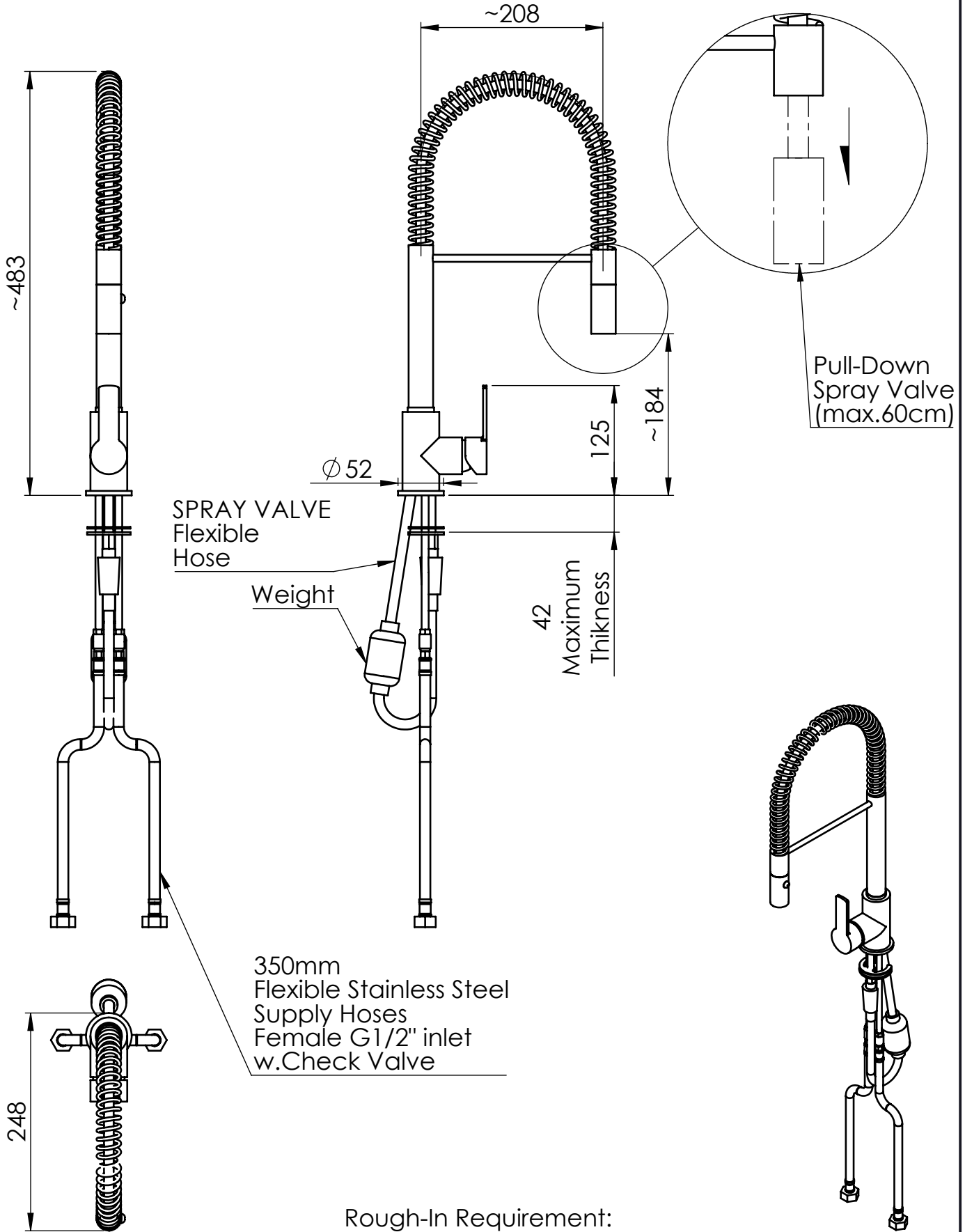


SCHNITTZEICHNUNG



KBS Gastrotechnik GmbH – Schoßbergstraße 26 – 65201 Wiesbaden



TITLE / DESCRIZIONE

Single hole deck mount Pre-Rinse Unit with single short lever mixing faucet with pull down spray, G1/2" female inlets with check valve, ceramic cartridge, spray valve with 2 different water jet

DRN / DIS

CHD / VER

APPR

SCALE / SCALA 1:6

DATE / DATA 04/08/2020

SHEET / PAG 1 of 2

NUMBER / CODICE DIS.

MODEL / PRODOTTO
1K.2981.GA.M8

A4V