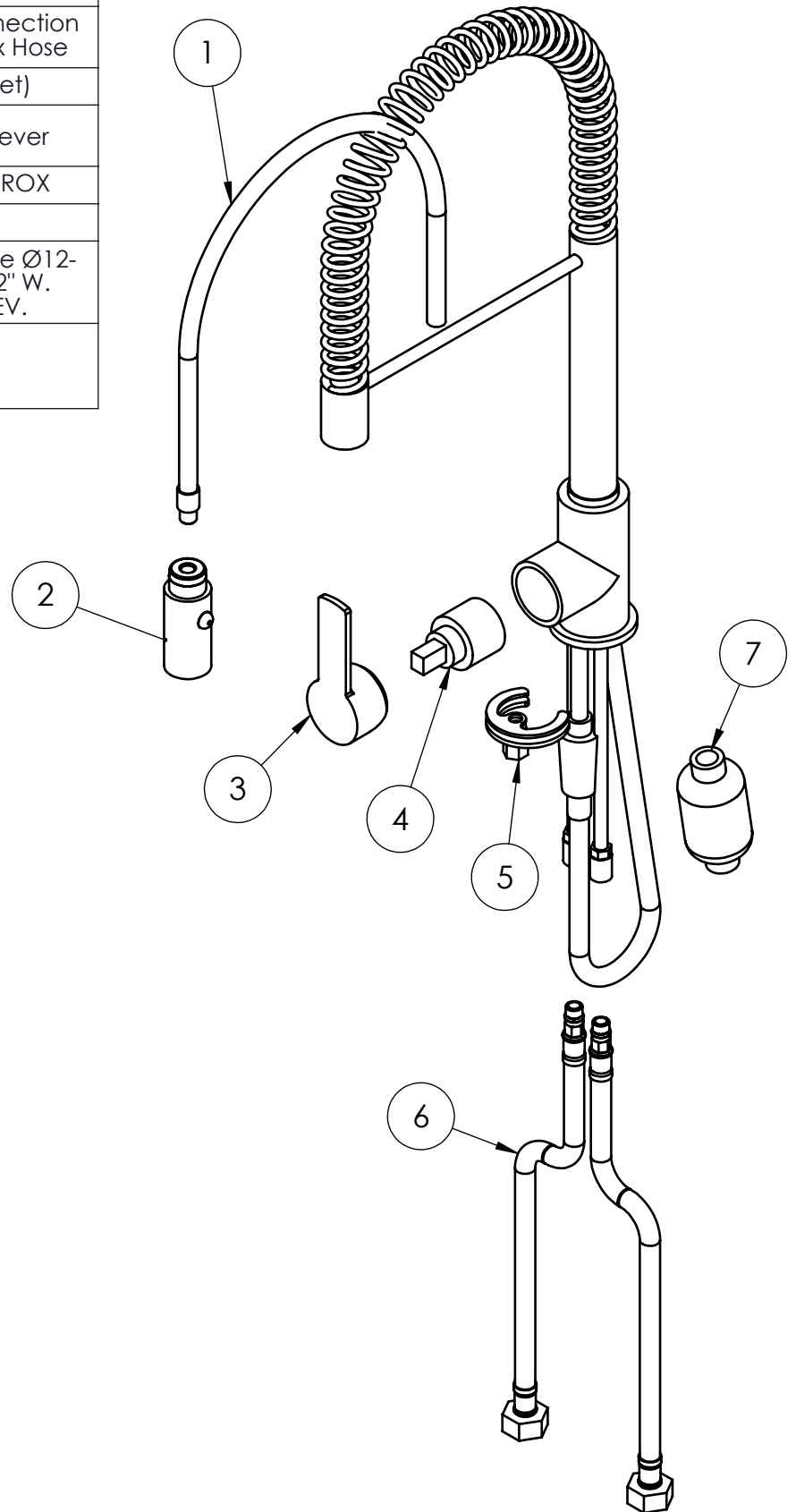


# EXPLOSIONSZEICHNUNG



KBS Gastrotechnik GmbH – Schoßbergstraße 26 – 65201 Wiesbaden

ITEM NO.	SALES NO.	DESCRIPTION
1	F203	2mt Long Easy connection M10x1 x M10x1 Flex Hose
2	P0GA	Spray Valve (2 jet)
3	H048	Chrome Plated Lever
4	V0M0	Ø35 Cartridge KEROX
5	P631	FIXING KIT
6	F202	L.35cm Flex S.S. Hose Ø12-DN8 Female G1/2" W. BACKFLOW PREV.
7	P515	Weight



TITLE / DESCRIZIONE

Single hole deck mount Pre-Rinse Unit with single short lever mixing faucet with pull down spray, G1/2" female inlets with check valve, ceramic cartridge, spray valve with 2 different water jet

DRN / DIS

CHD / VER

APPR

SCALE /  
SCALA 1:4

DATE /  
DATA 04/08/2020

SHEET /  
PAG 2 of 2

This drawing contains proprietary information which is the property of KLARCO S.R.L. without whose written permission it may not be copied, shown or handed to a third party or otherwise used

Questo disegno contiene informazioni di proprietà di KLARCO S.R.L. e senza la sua autorizzazione scritta non può essere copiato, mostrato o ceduto a terzi o in qualsiasi altro modo usato

NUMBER / CODICE DIS.

MODEL / PRODOTTO  
1K.2981.GA.M8

A4V