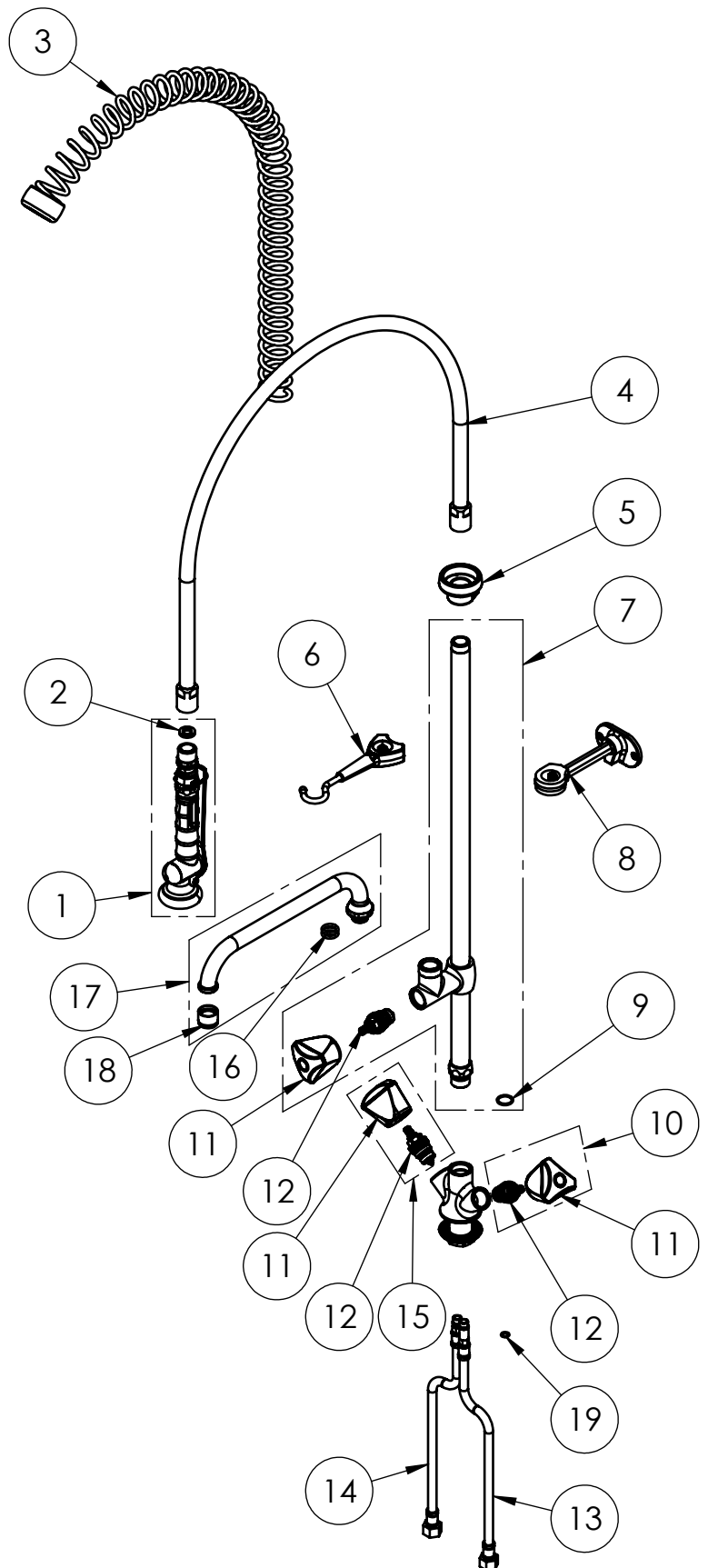


EXPLOSIONSZEICHNUNG



KBS Gastrotechnik GmbH – Schoßbergstraße 26 – 65201 Wiesbaden

ITEM NO.	SALES NO.	DESCRIPTION
1	P499/N	SPRAY VALVE "BEST PRO" BLACK
2	P074	FLAT GASKET 1/2" Ø18,5x11 sp.2mm
3	P587	OVERHEAD SPRING "BLACK"
4	P163	100cm Ø17 F1/2"xF1/2" FLEXIBLE HOSE
5	P090	SPRING SUPPORT
6	P091	SPRAY VALVE HOOK (BLACK)
7	P650/S3	650mm G1/2" RISER W.ADD ON TAP AND O-RING
8	P092	Wall Bracket L.115mm (BLACK)
9	P076	O-RING 2062 (Ø15,6x1.78), EPDM 70 PEROX
10	VS3/B	COMPLETE HANDLE W.BLUE CODED INDEX+HEADWORK KIT
11	H033/color	"3Pe" HANDLE W. COLOR CODED INDEX (specify the color B or R)
12	VS0	G1/2" COMPRESSION HEADWORK
13	F182	L.35cm Flex S.S. Hose Ø10-DN6X Female G3/8" W.Backflow Preventer (L)
14	F181	L.35cm Flex S.S. Hose Ø10-DN6X Female G3/8" W.Backflow Preventer (C)
15	VS3/R	COMPLETE HANDLE W.RED CODED INDEX+HEADWORK KIT
16	P103	O-RING 14X3
17	C0C5	SWIVEL SPOUT Ø18x250
18	P015	STREAM REGULATOR OUTLET (Ø20 SPOUT)
19	P283	O-RING 7 x 1.5 mm NBR 70sh.



TITLE / DESCRIZIONE
Single hole, deck-mount, mixing temperature faucet Pre-Rinse Unit with riser add-on faucet with 250mm swivel nozzle (Ø18mm). G3/8" female inlets w. check valves, G1/2" compression headworks, riser tube – stainless steel, brass, chrome plated, 14L/min KLARCO "BEST PRO" spray valve, Zamak metal chrome plated handles

DRN / DIS

CHD / VER

APPR

SCALE / SCALA 1:8

DATE / DATA 26/02/2021

SHEET / PAG 2 of 2

NUMBER / CODICE DIS.

MODEL / PRODOTTO

3K.2456.C5.S3

A4V