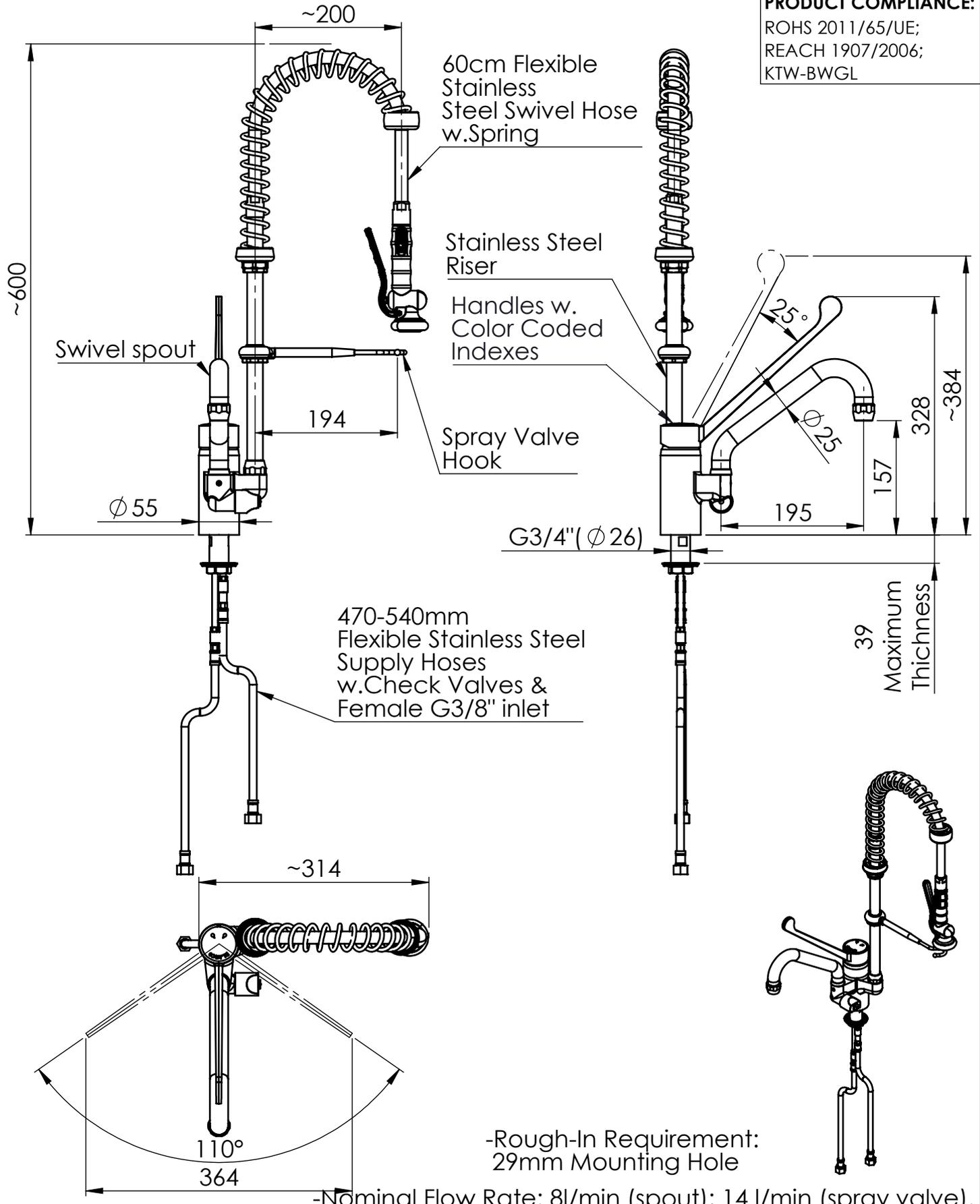


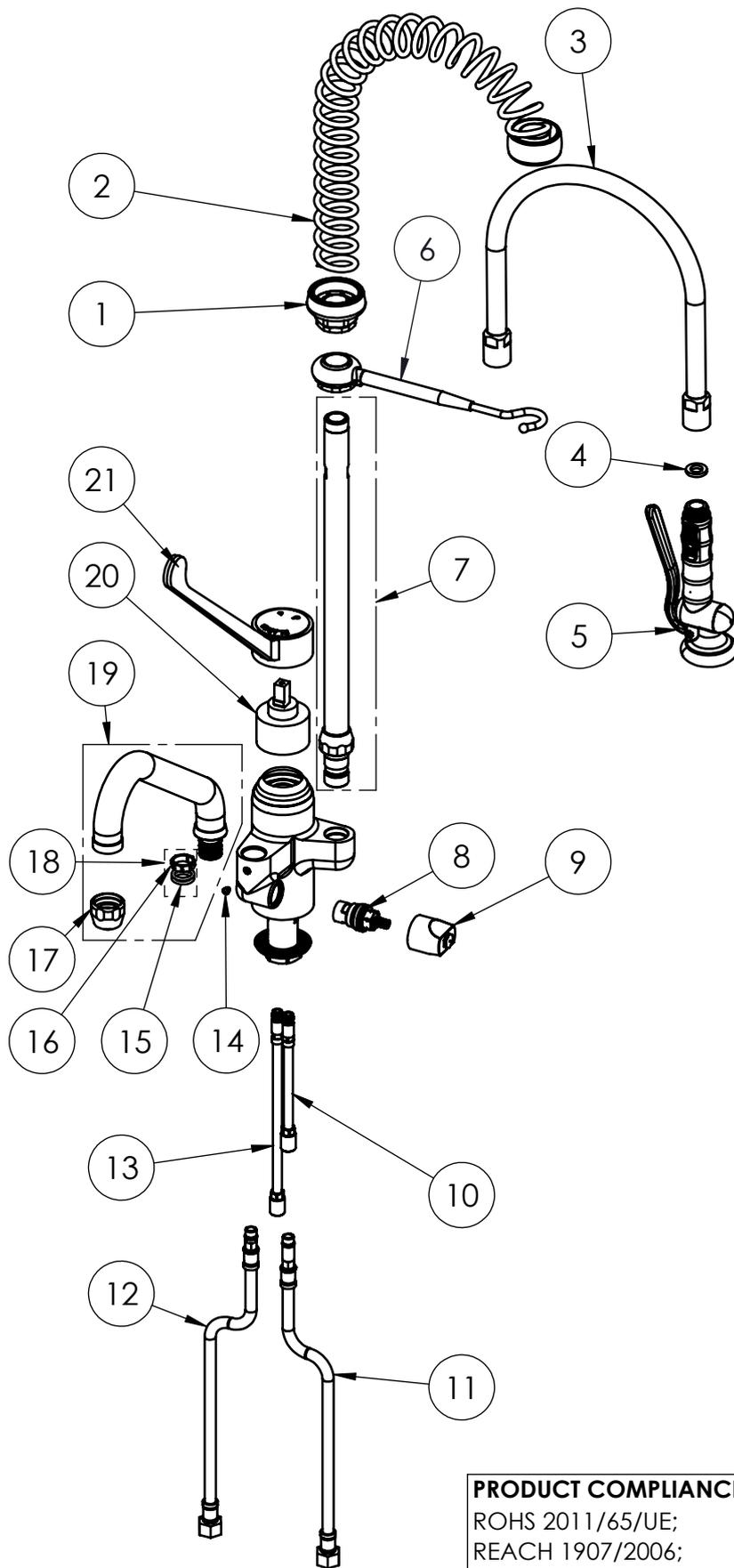
**PRODUCT COMPLIANCE:**

ROHS 2011/65/UE;  
REACH 1907/2006;  
KTW-BWGL



TITLE / DESCRIZIONE	DRN / DIS	CHD / VER	APPR
60 cm-tall SHRINK Single hole, mixing temperature, deck mount Pre-Rinse Unit with 220mm long Sanitary Lever and 195mm swivel nozzle (Ø 25mm), 50mm-long mounting shank, G3/8" female inlets with check valves, high flow ceramic cartridge, riser tube and spring - stainless steel, brass, chrome plated, black details. Sanitary Lever - fiber glass reinforced Polyamide. 14L/min KLARCO P529 spray valve.	E.Artini		
	SCALE / SCALA	DATE / DATA	SHEET / PAG
	1:7	09/08/22	1 of 2
	NUMBER / CODICE DIS.	MODEL / PRODOTTO	
		260CN.R030N	A4V

ITEM NO.	SALES NO.	DESCRIPTION
1	P007	SPRING CHROMED SUPPORT
2	P635/"color"	OVERHEAD SPRING KL 60-70 INOX (specify the color)
3	F153	Flexinox 60cm Ø14 (Øint.8) F1/2" F1/2"
4	P610	GASKET 1/2" Ø18,5x11 sp.3mm, FASIT OMNIA
5	P529/"color"	SPRAY VALVE (specify the color)
6	P580	SPRAY VALVE HOOK CHROMED PLATED
7	P624	KL60 RISER W O-RING
8	V0C0/D	1/2" CERAMIC HEADWORK (RH)
9	H010	DIVERTER KNOB
10	P616	EXTENSION COPPER PIPE L.140mm w.O-RING
11	F182	L.35cm Flex S.S. Hose Ø10-DN6X Female G3/8" W.Backflow Preventer (L)
12	F181	L.35cm Flex S.S. Hose Ø10-DN6X Female G3/8" W.Backflow Preventer (C)
13	P617	EXTENSION COPPER PIPE L.210mm w.O-RING
14	P236	SPOUT SCREW (short)
15	P072	O-RING 119 EP70P.A (Ø15.08 x 2.62) PEROX (Colonnine+2 x Canna)
16	P592	SWIVEL SLEEVE
17	P621	STREAM REGULATOR OUTLET (Ø25 SPOUT) W. 2.2GPM FLOW RATE
18	P613	#2 OR+#1 SWIVEL SLEEVE KIT FOR FAUCET/OUTLET
19	C0E6/8L	SWING NOZZLE Ø25X195Xh.80 W.2.2GPM FLOW RATE
20	V070	Ø47 MIXING CARTRIDGE
21	H02K/N	ELBOW OPERATED BLACK LEVER (L.220mm)



**PRODUCT COMPLIANCE:**

ROHS 2011/65/UE;  
REACH 1907/2006;  
KTW-BWGL

TITLE / DESCRIZIONE	DRN / DIS	CHD / VER	APPR
60 cm-tall SHRINK Single hole, mixing temperature, deck mount Pre-Rinse Unit with 220mm long Sanitary Lever and 195mm swivel nozzle (Ø 25mm), 50mm-long mounting shank, G3/8" female inlets with check valves, high flow ceramic cartridge, riser tube and spring - stainless steel, brass, chrome plated, black details. Sanitary Lever - fiber glass reinforced Polyamide. 14L/min KLARCO P529 spray valve.	E.Artini		
	SCALE / SCALA 1:6	DATE / DATA 09/08/22	SHEET / PAG 2 of 2
This drawing contains proprietary information which is the property of KLARCO S.R.L. without whose written permission it may not be copied, shown or handed to a third party or otherwise used	Questo disegno contiene informazioni di proprietà di KLARCO S.R.L. e senza la sua autorizzazione scritta non può essere copiato, mostrato o ceduto a terzi o in qualsiasi altro modo usato	NUMBER / CODICE DIS.	MODEL / PRODOTTO 260CN.R030N