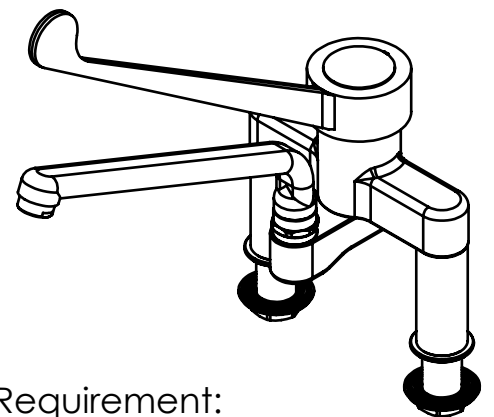
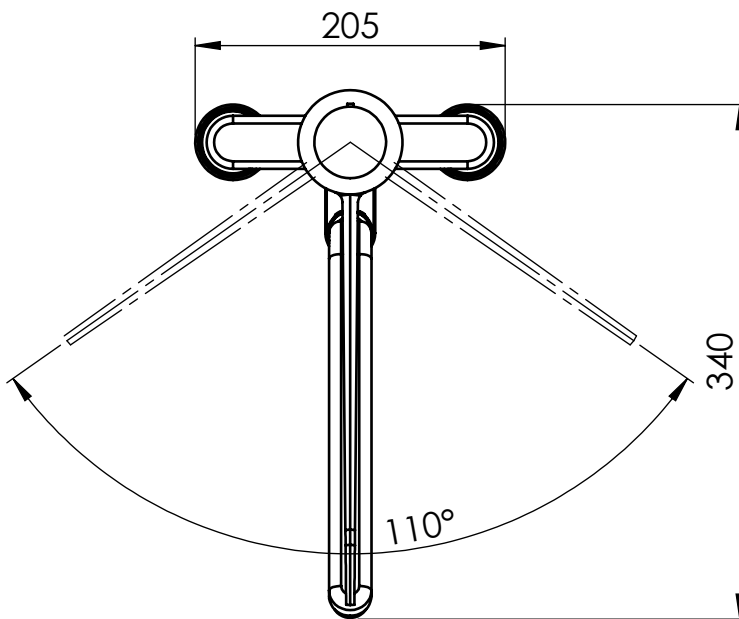
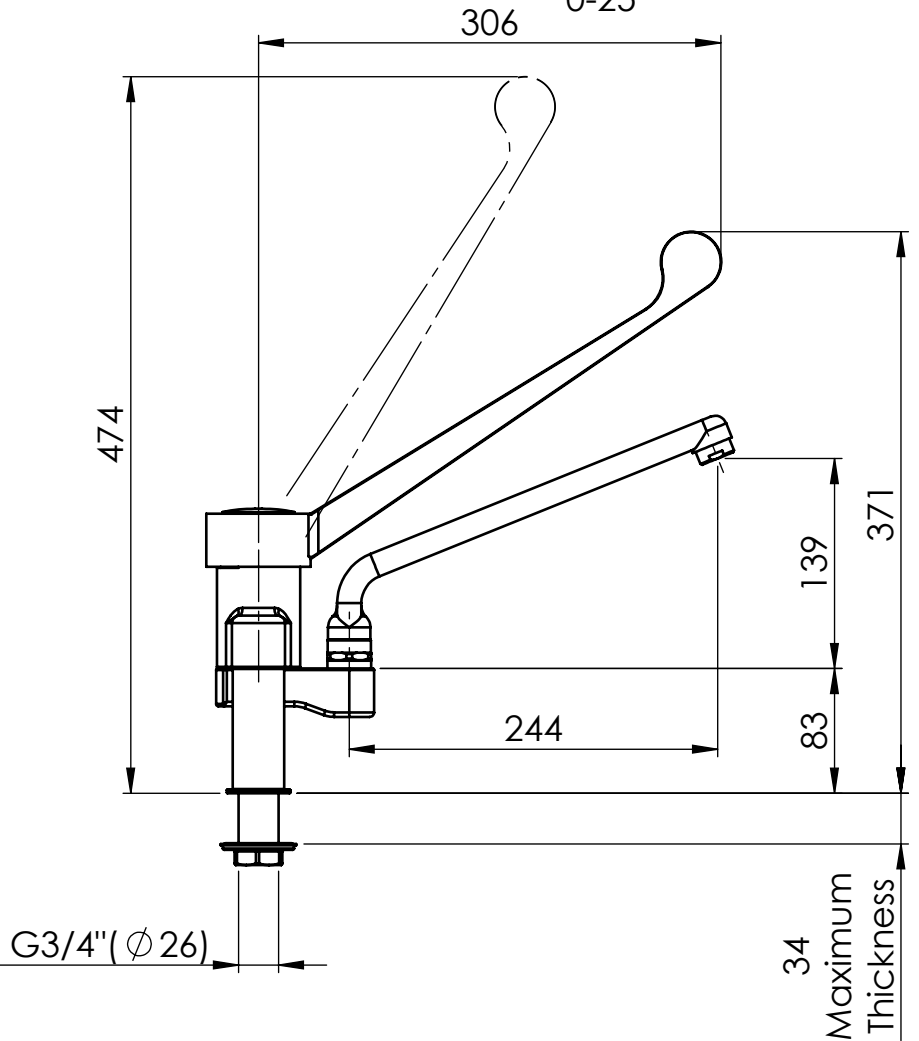
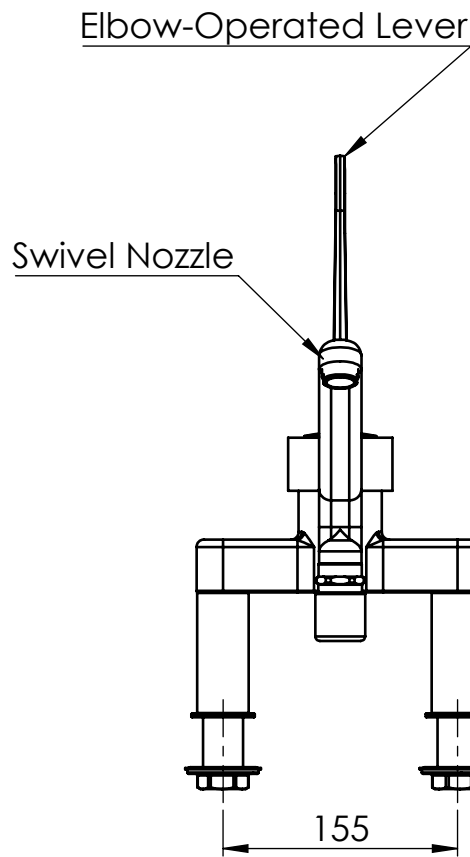


SCHNITTZEICHNUNG



KBS Gastrotechnik GmbH – Schoßbergstraße 26 – 65201 Wiesbaden

Lever opening angle:
0-25°



Rough-In Requirement:
29mm Mounting Hole

TITLE / DESCRIZIONE	DRN / DIS	CHD / VER	APPR
Elevated double-hole (155mm center distance) deck mount mixing faucet with 300mm Sanitary Lever with 80mm risers with 240mm swivel nozzle. 50mm-long mounting shanks, G3/4" male inlets, high flow ceramic cartridge, brass, chrome plated, Sanitary Lever – fiber glass reinforced Polyamide.	SCALE / SCALA 1:5	DATE / DATA 17/07/2020	SHEET / PAG 1 of 2
This drawing contains proprietary information which is the property of KLARCO S.R.L. without whose written permission it may not be copied, shown or handed to a third party or otherwise used	Questo disegno contiene informazioni di proprietà di KLARCO S.R.L. e senza la sua autorizzazione scritta non può essere copiato, mostrato o ceduto a terzi o in qualsiasi altro modo usato	NUMBER / CODICE DIS. MODEL / PRODOTTO 1S.3020.48.71	A4V