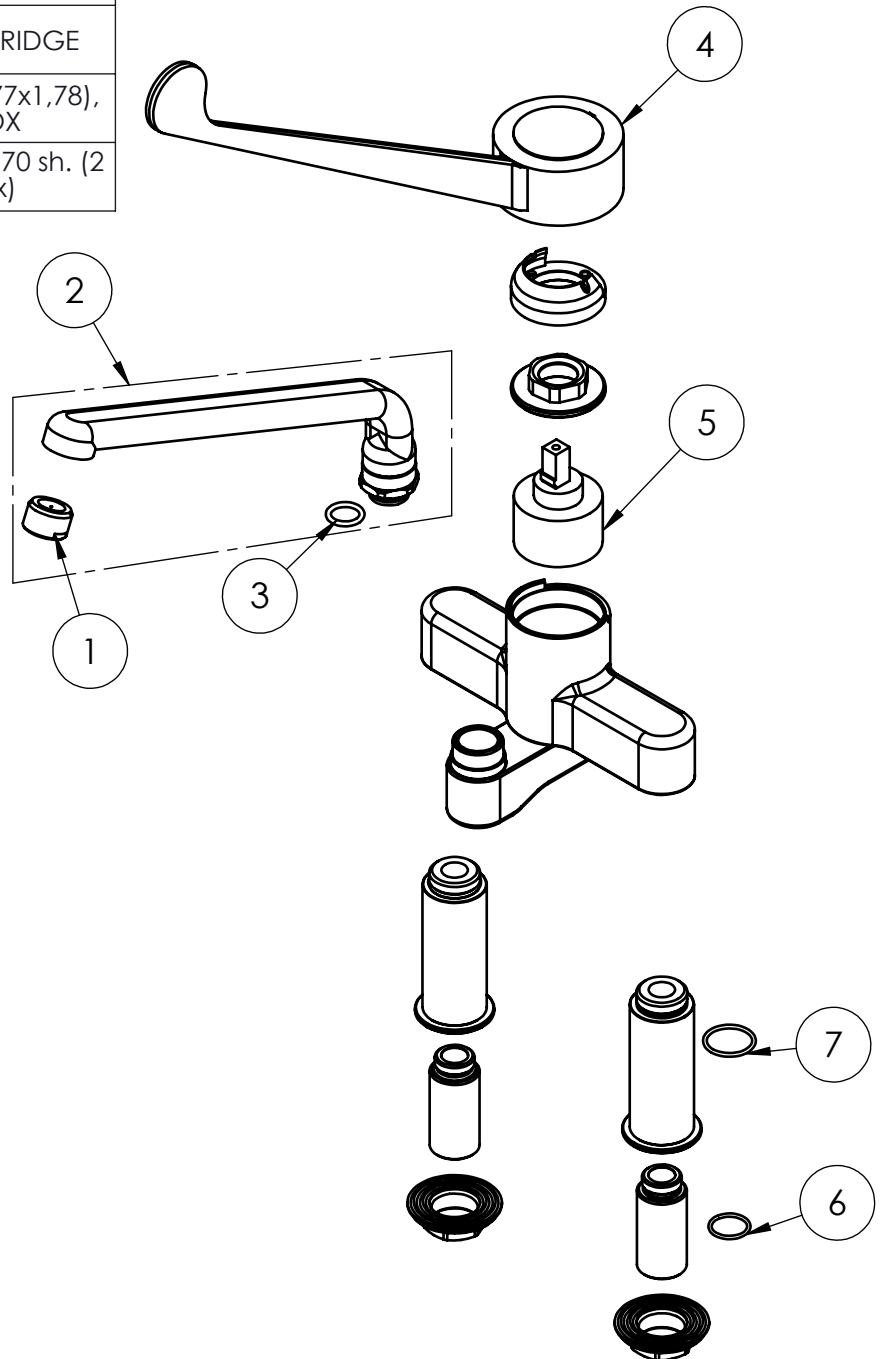


# EXPLOSIONSZEICHNUNG



KBS Gastrotechnik GmbH – Schoßbergstraße 26 – 65201 Wiesbaden

ITEM NO.	SALES NO.	DESCRIPTION
1	P065	FLOW REGULATOR M24x1
2	C048	SWING NOZZLE L.240 h.150
3	P205	O-RING Ø15.10x2.70 EPDM
4	H011	ELBOW OPERATED GRAY LEVER (L.300mm)
5	V070	Ø47 MIXING CARTRIDGE
6	P216	O-RING 2075 (Ø18,77x1,78), EP70P.A PEROX
7	P234	O-RING Ø24x2, NBR 70 sh. (2 per biforo mix)



TITLE / DESCRIZIONE	DRN / DIS	CHD / VER	APPR
Elevated double-hole (155mm center distance) deck mount mixing faucet with 300mm Sanitary Lever with 80mm risers with 240mm swivel nozzle. 50mm-long mounting shanks, G3/4" male inlets, high flow ceramic cartridge, brass, chrome plated, Sanitary Lever – fiber glass reinforced Polyamide.	SCALE / SCALA 1:4	DATE / DATA 17/07/2020	SHEET / PAG 2 of 2
This drawing contains proprietary information which is the property of KLARCO S.R.L. without whose written permission it may not be copied, shown or handed to a third party or otherwise used	Questo disegno contiene informazioni di proprietà di KLARCO S.R.L. e senza la sua autorizzazione scritta non può essere copiato, mostrato o ceduto a terzi o in qualsiasi altro modo usato	NUMBER / CODICE DIS. MODEL / PRODOTTO 1S.3020.48.71	A4V