

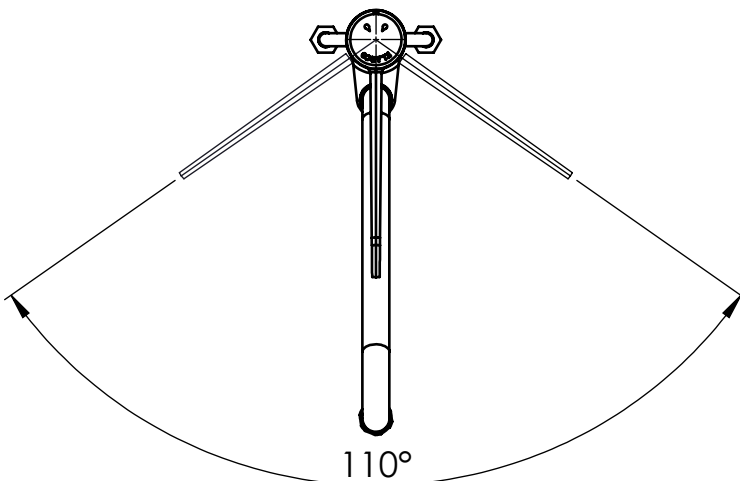
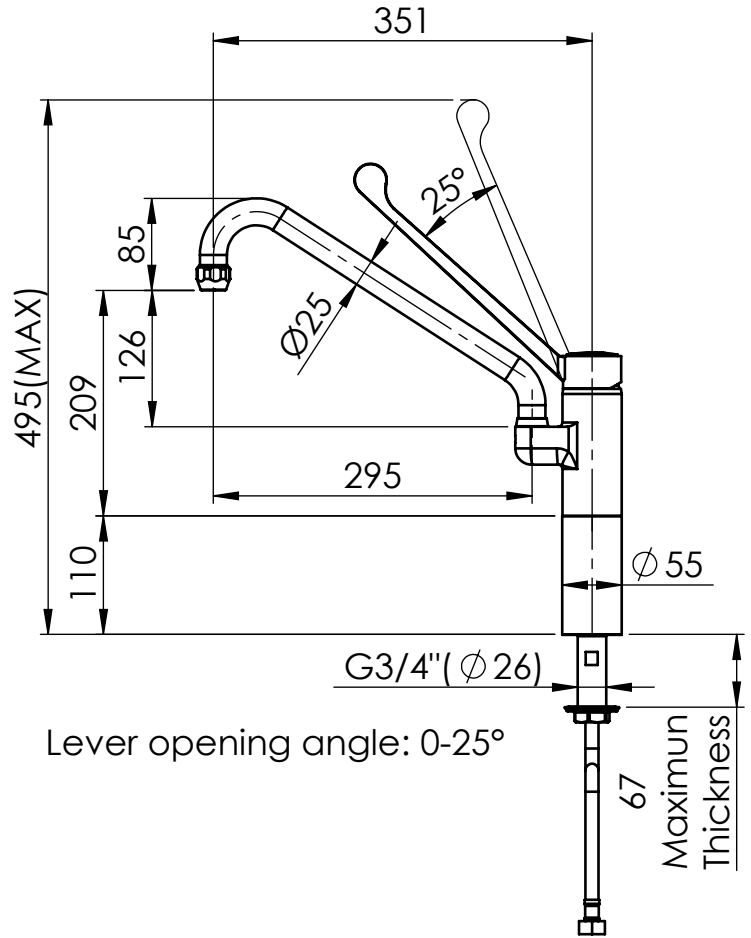
Elbow operated lever

Swivel nozzle

436 (MIN)

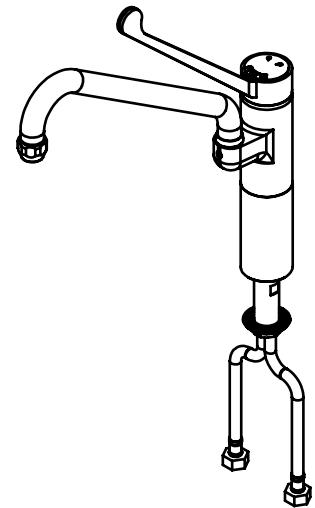
350mm
Stainless steel
supply hoses
with female
G1/2" inlets

81



Lever rotation angle: 110°

Rough-In Requirement:
29mm Mounting Hole



PRODUCT COMPLIANCE:

KTW-BWGL
ROHS 2011/65/UE;
REACH 1907/2006;
DVGW Hygiene

TITLE / DESCRIZIONE	DRN / DIS	CHD / VER	APPR
Chrome plated brass single hole. Deck mount mixing faucet with 295mm swivel nozzle (Ø25); 220mm-long sanitary lever; high flow ceramic cartridge; 110mm-long stainless steel riser; G3/4"x80 mounting shank; G1/2" female inlets.	A.E.		
	SCALE / SCALA	DATE / DATA	SHEET / PAG
	1:7	27/12/22	1 of 2
This drawing contains proprietary information which is the property of KLARCO S.R.L. without whose written permission it may not be copied, shown or handed to a third party or otherwise used	Questo disegno contiene informazioni di proprietà di KLARCO S.R.L. e senza la sua autorizzazione scritta non può essere copiato, mostrato o ceduto a terzi o in qualsiasi altro modo usato	NUMBER / CODICE DIS.	MODEL / PRODOTTO
			1E.2908.87.76