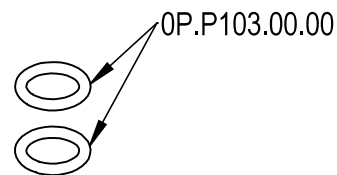
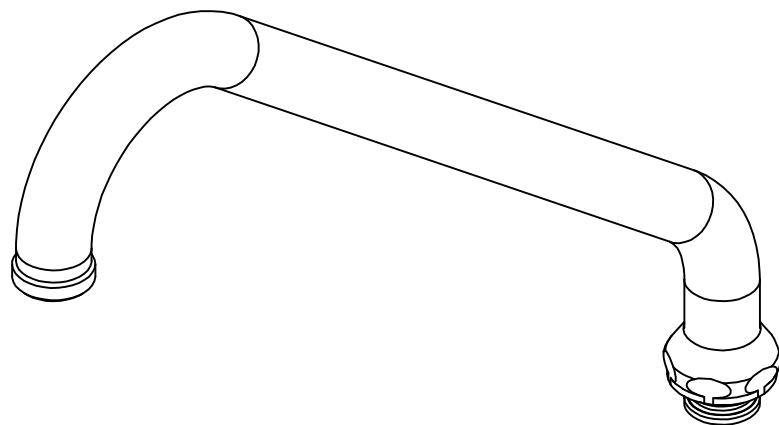


EXPLOSIONSZEICHNUNG



KBS Gastrotechnik GmbH – Schoßbergstraße 26 – 65201 Wiesbaden

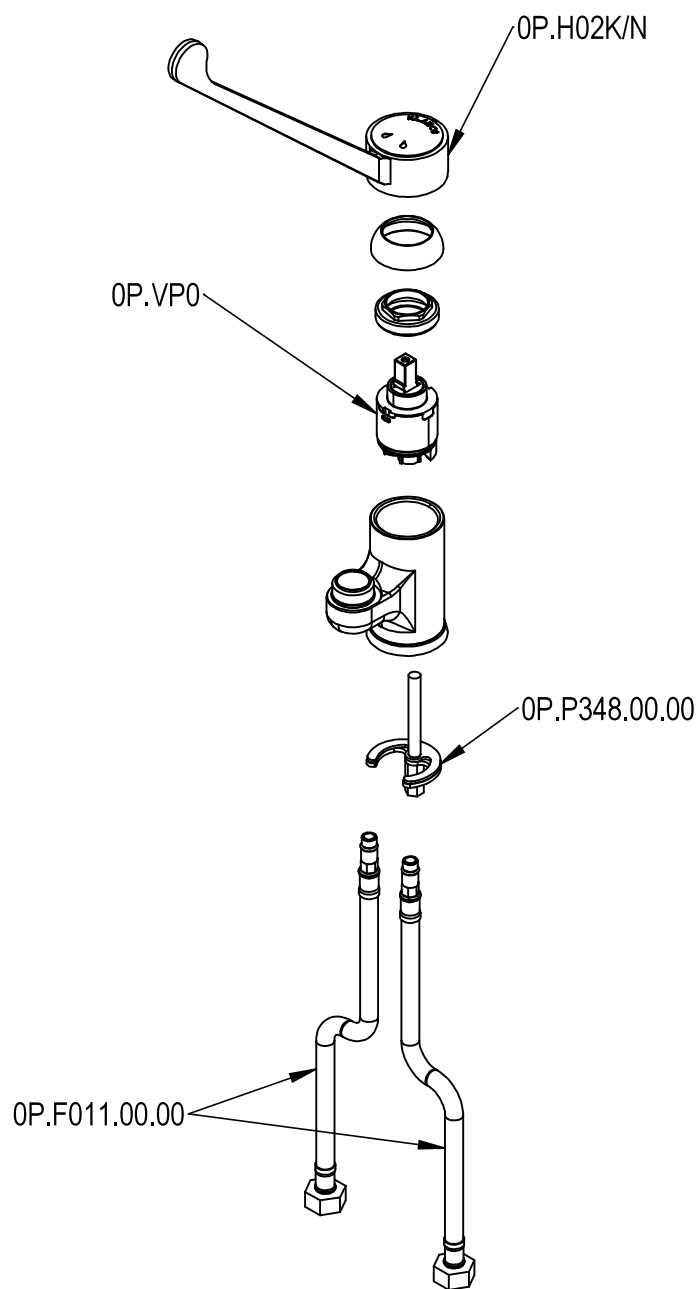
SALES NO.	DESCRIPTION
0P.P015.00.00	Aerator F22x1 for Ø20 spout
0P.P103.00.00	O-Ring for STYL spouts Ø20 (Ø14.3x3)
0P.C057.00.00	STYL 20x250x142 J-shaped spout with fixing cup



TITLE / DESCRIZIONE

0P.C057.00.00 - SPARE PARTS

SALES NO.	DESCRIPTION
0P.H02K/N	BLACK Sanitary lever, L.220mm - with logo
0P.VP0	Cartridge Ø40mm for PISA handle
0P.P348.00.00	Fixing kit
0P.F011.00.00	Flexinox Ø12, L.35cm M10x1 F1/2" short thread for single hole f.



TITLE / DESCRIZIONE

BODY FAUCET, INLETS AND LEVER SPARE PARTS