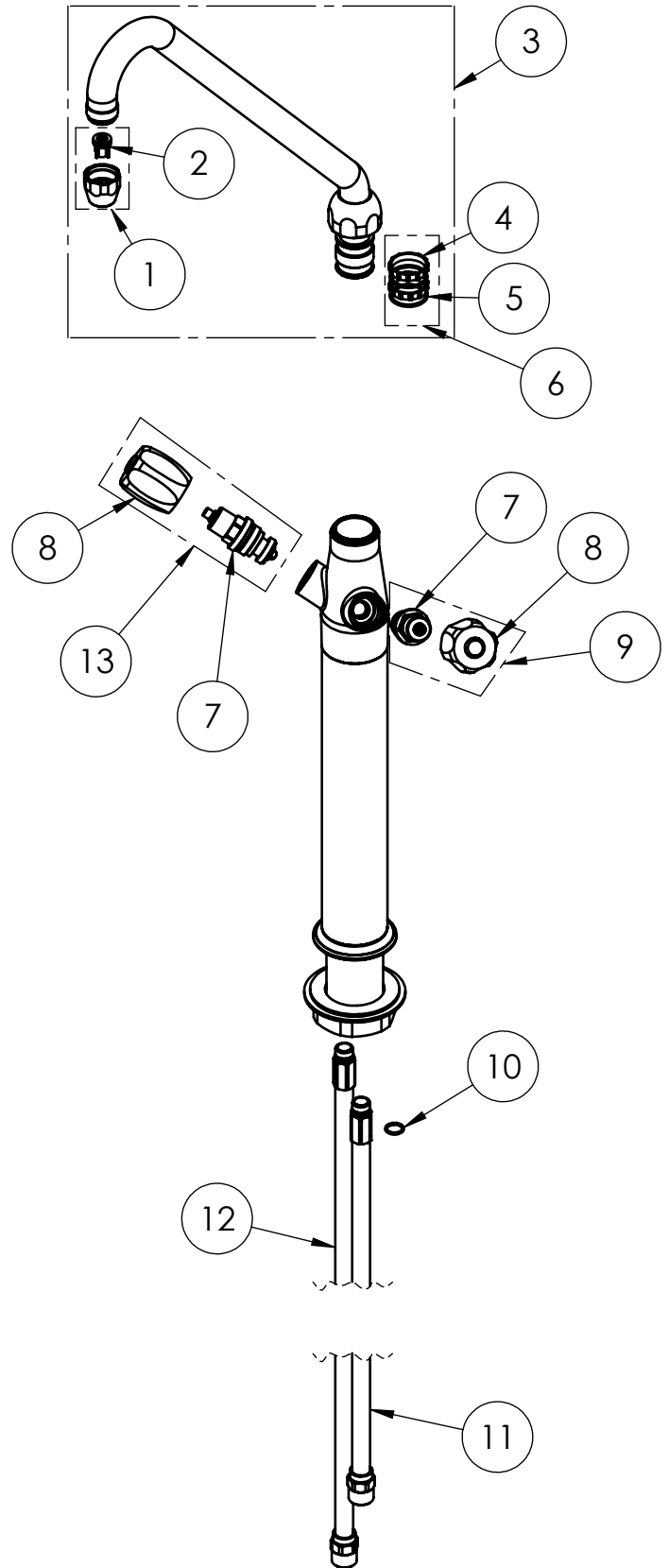


EXPLOSIONSZEICHNUNG



KBS Gastrotechnik GmbH – Schoßbergstraße 26 – 65201 Wiesbaden

ITEM NO.	SALES NO.	DESCRIPTION
1	P140	FEMALE G3/4" steam straightener W.DRIP STOP (Ø25 SPOUT)
2	P337	DN15 CHECK VALVE
3	C092V	SWING NOZZLE Ø25x300 h.250 w.DRIP STOP P140
4	P566	GIG/LCA SWIVEL SLEEVE
5	P391	O-RING 28x2 EPDM70
6	P614	#2 OR+#2 SWIVEL SLEEVES KIT FOR FAUCET (GIG/LCA)
7	V010	3/4" HEADWORK
8	H001/color	"EUROP" HANDLE W. COLOR CODED INDEX (specify the color B or R)
9	V011/B	COMPLETE HANDLE W.BLUE CODED INDEX +HEADWORK KIT
10	P077	O-RING 2050 (Ø12.42x1.78), EPDM 70sh PEROX
11	P326	COPPER PIPE L.680mm Male G1/2" w.O-RING
12	P120	COPPER PIPE L.800mm Male G1/2" w.O-RING
13	V011/R	COMPLETE HANDLE W.RED CODED INDEX +HEADWORK KIT
36		BOCCOLA con sede V/NR x canne EUROP Ø25 cromato



TITLE / DESCRIZIONE

Extra robust and high flow single hole, deck-mount, "GIG" mixing faucet for pot filling with 300mm riser, 300mm, 360° swivel nozzle (Ø 25mm) and Drip Stop. 80mm-long mounting shank, G1/2" male inlets, G3/4" high flow compression headworks, brass, chrome plated

DRN / DIS

CHD / VER

APPR

SCALE / SCALA 1:6

DATE / DATA 16/07/2020

SHEET / PAG 2 of 2

This drawing contains proprietary information which is the property of KLARCO S.R.L. without whose written permission it may not be copied, shown or handed to a third party or otherwise used

Questo disegno contiene informazioni di proprietà di KLARCO S.R.L. e senza la sua autorizzazione scritta non può essere copiato, mostrato o ceduto a terzi o in qualsiasi altro modo usato

NUMBER / CODICE DIS.

MODEL / PRODOTTO

1E.2203.92V.11

A4V