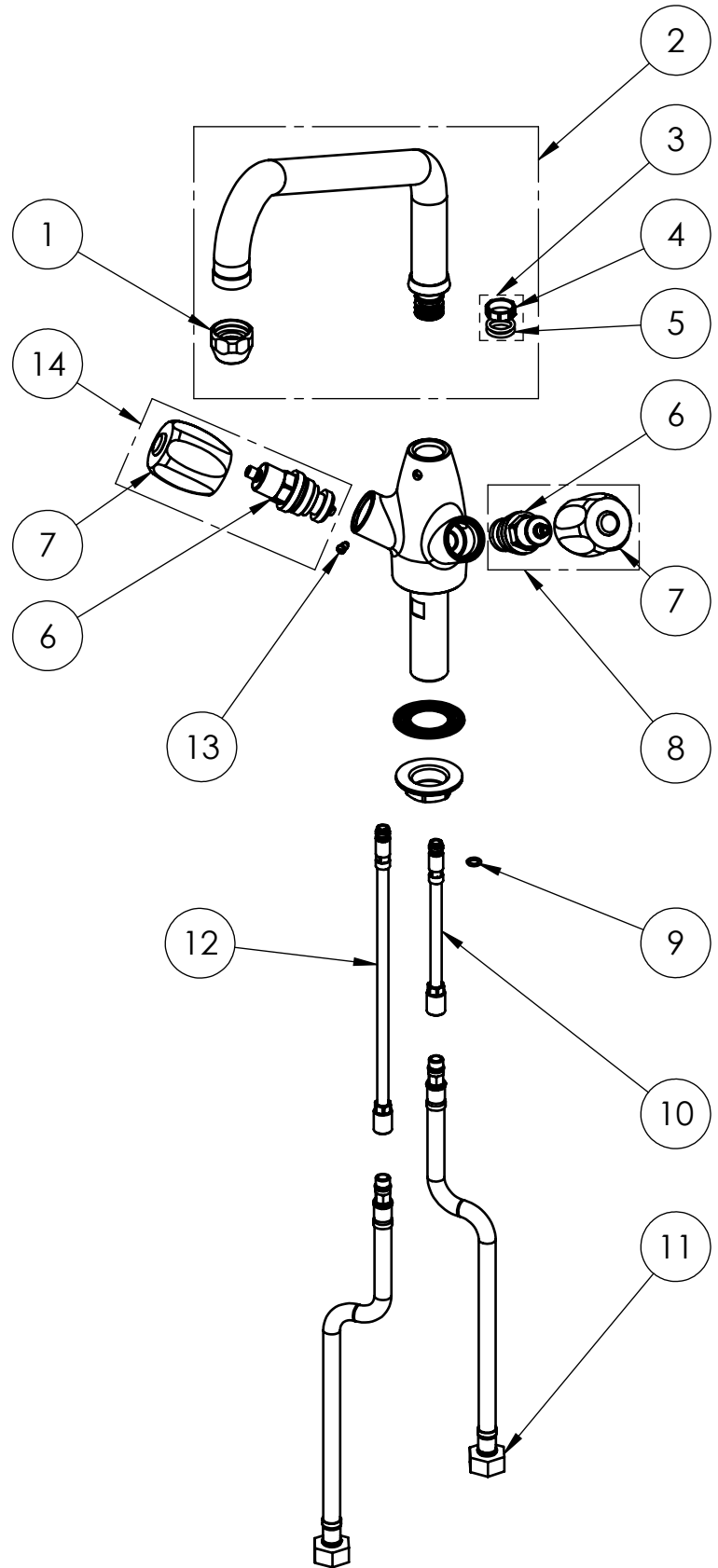


EXPLOSIONSZEICHNUNG



KBS Gastrotechnik GmbH – Schoßbergstraße 26 – 65201 Wiesbaden

ITEM NO.	SALES NO.	DESCRIPTION
1	P014	STREAM REGULATOR OUTLET (Ø25 SPOUT)
2	C019	SWING NOZZLE Ø25x300 h.150
3	P613	#2 OR+#1 SWIVEL SLEEVE KIT FOR FAUCET/OUTLET
4	P592	SWIVEL SLEEVE
5	P072	O-Ring 119 (Ø 15,08 x 2,62mm) EPDM 70
6	V010	3/4" HEADWORK
7	H001/color	"EUROP" HANDLE W. COLOR CODED INDEX (specify the color B or R)
8	V011/B	COMPLETE HANDLE W.BLUE CODED INDEX +HEADWORK KIT
9	P158	O-RING 106 (Ø6.75x1.78), EPDM 70
10	P616	EXTENSION COPPER PIPE L.140mm w.O-RING
11	F011	L.35cm Flex S.S. Hose Ø12-DN8 Female G1/2" (C)
12	P618	EXTENSION COPPER PIPE L.250mm w.O-RING
13	P241	SPOUT SCREW (Long)
14	V011/R	COMPLETE HANDLE W.RED CODED INDEX +HEADWORK KIT



TITLE / DESCRIZIONE

Heavy duty single hole, mixing temperature, deck mount faucet with 300mm, 360° swivel nozzle (Ø 25mm). 80mm-long mounting shank, G1/2" female inlets, G3/4" high flow compression headworks, brass, chrome plated

This drawing contains proprietary information which is the property of KLARCO S.R.L. without whose written permission it may not be copied, shown or handed to a third party or otherwise used

Questo disegno contiene informazioni di proprietà di KLARCO S.R.L. e senza la sua autorizzazione scritta non può essere copiato, mostrato o ceduto a terzi o in qualsiasi altro modo usato

DRN / DIS

SCALE / SCALA 1:5

NUMBER / CODICE DIS.

CHD / VER

DATE / DATA 24/02/2020

MODEL / PRODOTTO

1E.2104.19.11

APPR

SHEET / PAG 2 of 2

A4V