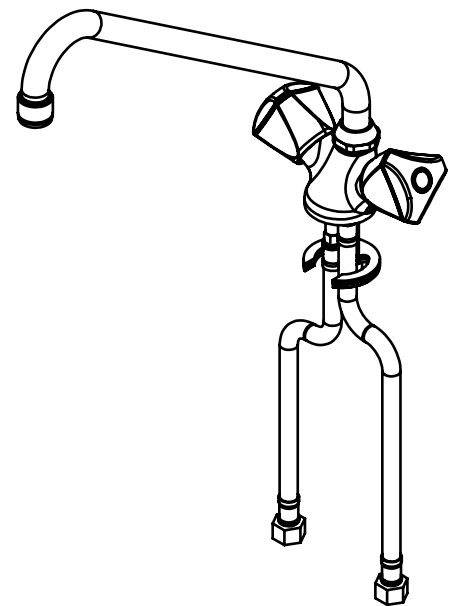
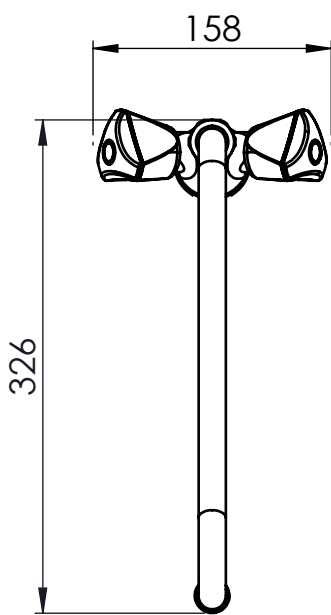
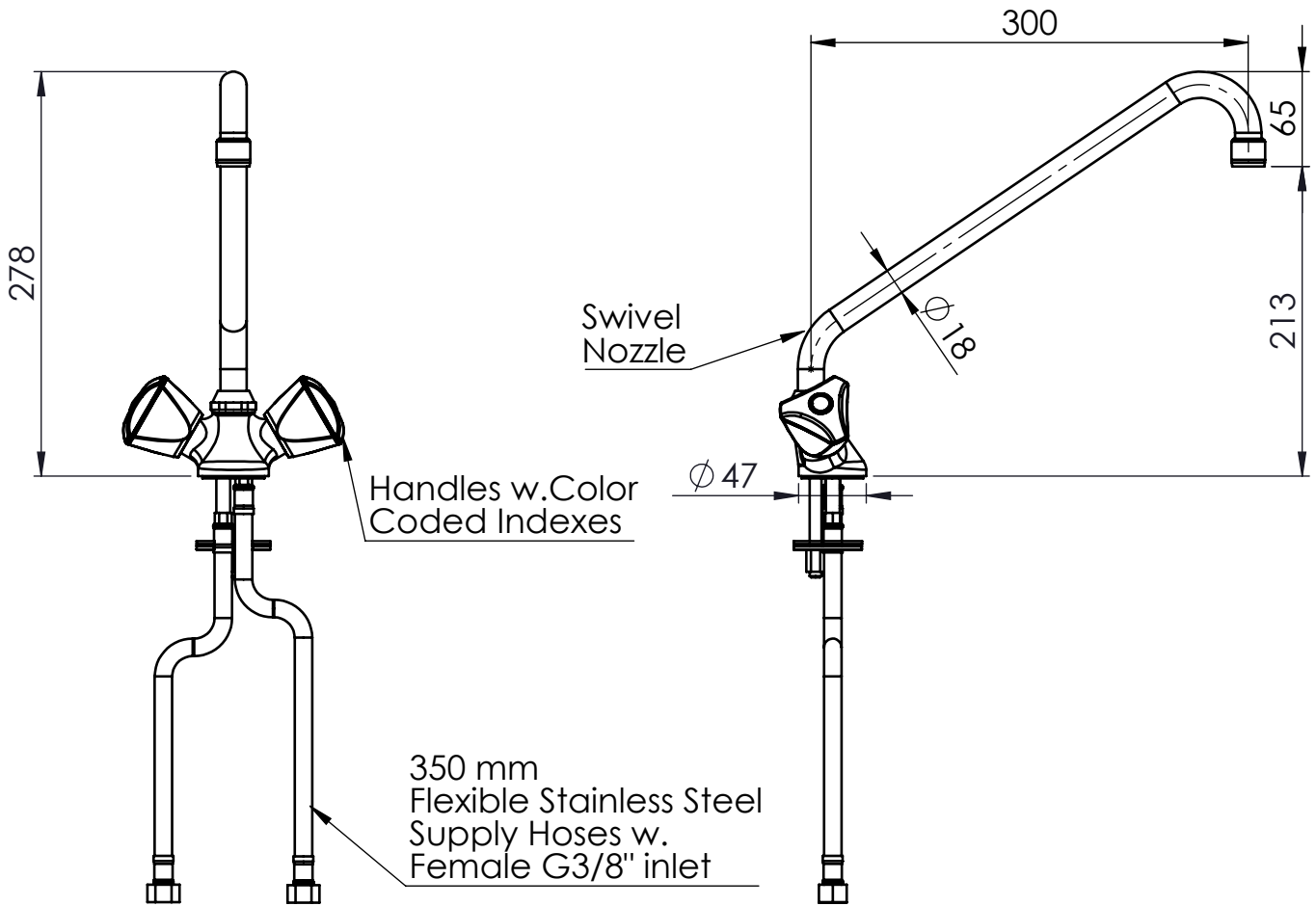


# SCHNITTZEICHNUNG



KBS Gastrotechnik GmbH – Schoßbergstraße 26 – 65201 Wiesbaden



Rough-In Requirement:  
35mm Mounting Hole

TITLE / DESCRIZIONE

Single hole, deck-mount, mixing temperature monoblock faucet with 300mm, 360° swivel nozzle (Ø 18mm). G3/8" female inlets, G1/2" compression headworks, brass, chrome plated, ZAMAK metal chrome plated handles

DRN / DIS

CHD / VER

APPR

SCALE / SCALA 1:5

DATE / DATA 08/06/2020

SHEET / PAG 1 of 2

NUMBER / CODICE DIS.

MODEL / PRODOTTO  
1C.2455.58.S3

A4V