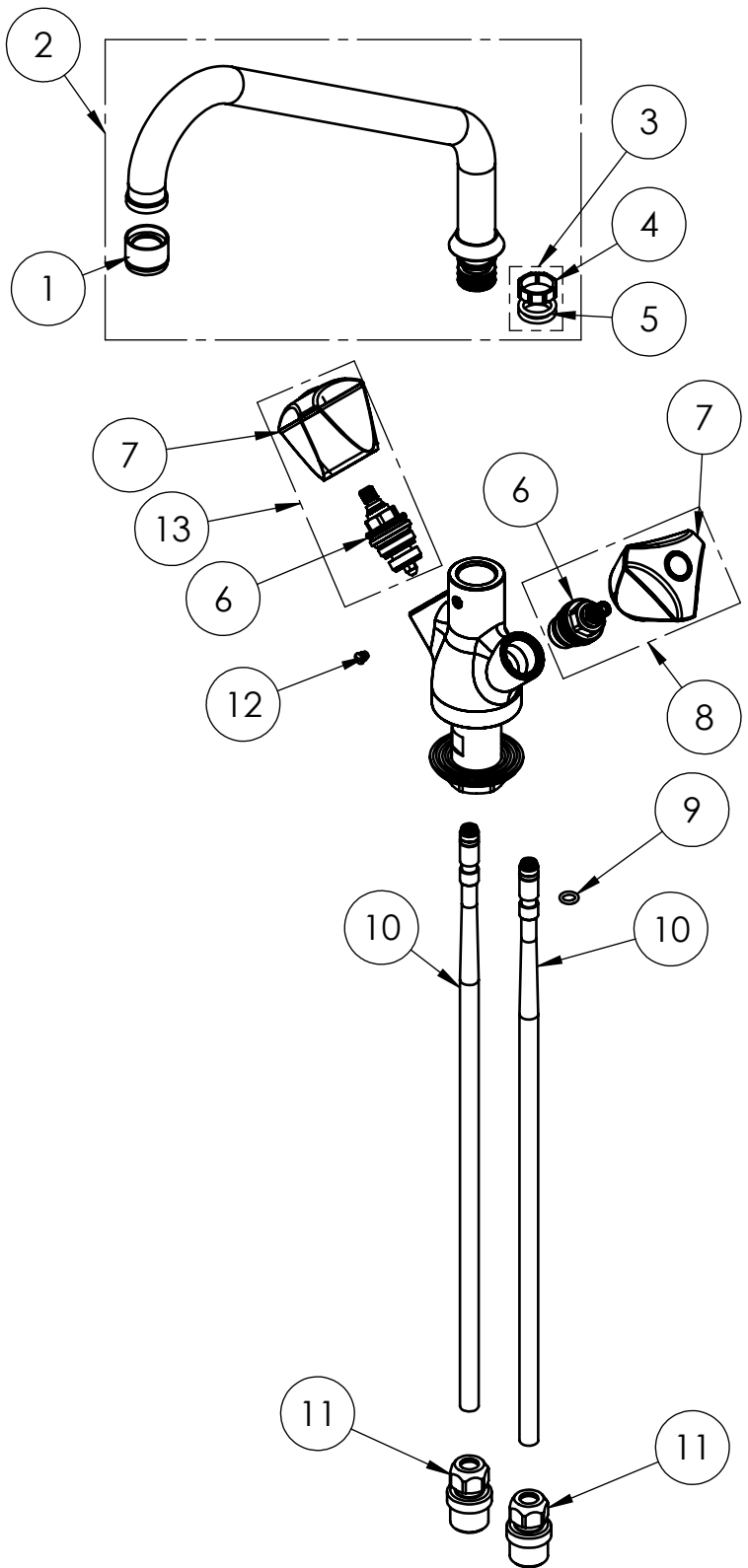


EXPLOSIONSZEICHNUNG



KBS Gastrotechnik GmbH – Schoßbergstraße 26 – 65201 Wiesbaden

ITEM NO.	SALES NO.	DESCRIPTION
1	P015	STREAM REGULATOR OUTLET (Ø20 SPOUT)
2	C005	SWING NOZZLE Ø20x250 h.150
3	P613	#2 OR+#1 SWIVEL SLEEVE KIT FOR FAUCET/OUTLET
4	P592	SWIVEL SLEEVE
5	P072	O-Ring 119 (Ø 15,08 x 2,62mm) EPDM 70
6	VS0	G1/2" COMPRESSION HEADWORK
7	H033/color	"3Pe" HANDLE W. COLOR CODED INDEX (specify the color B or R)
8	VS3/B	COMPLETE HANDLE W.BLUE CODED INDEX +HEADWORK KIT
9	P158	O-RING 106 (Ø6.75x1.78), EPDM 70
10	P493	Copper Pipe with O-RING
11	P110	Compression Male G1/2 fitting
12	P236	SPOUT SCREW (short)
13	VS3/R	COMPLETE HANDLE W.RED CODED INDEX +HEADWORK KIT



TITLE / DESCRIZIONE

Single hole, deck-mount, mixing temperature monoblock faucet with 250mm, 360° swivel nozzle (Ø 20mm). 50mm-long mounting shank, G1/2" female inlets, G1/2" compression headworks, brass, chrome plated, Zamak metal chrome plated handles

DRN / DIS

CHD / VER

APPR

SCALE /
SCALA 1:4

DATE /
DATA 08/06/2020

SHEET /
PAG 2 of 2

NUMBER / CODICE DIS.

MODEL / PRODOTTO
1S.2402.05.S3

A4V