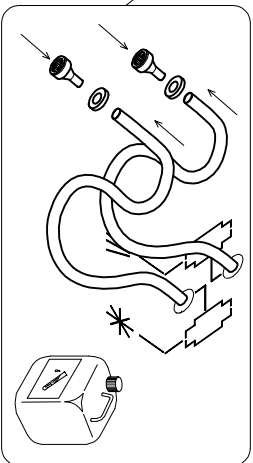
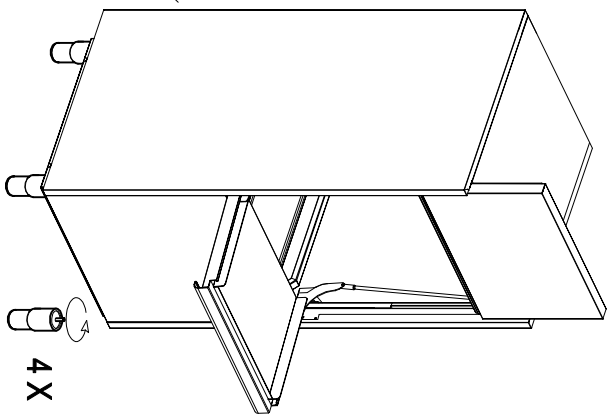


A		∅ 50mm M	A		∅ 35 mm M
B		G 3/4" M	B		G 3/4" F
C		Power supply	E		Steam exhaust



## Installation layout

Designed by: M.PIERI  
Date: 05.10.2018

## Utensil washer with Drain Pump

Determination:

Code: LP4  
Rev.: 00

