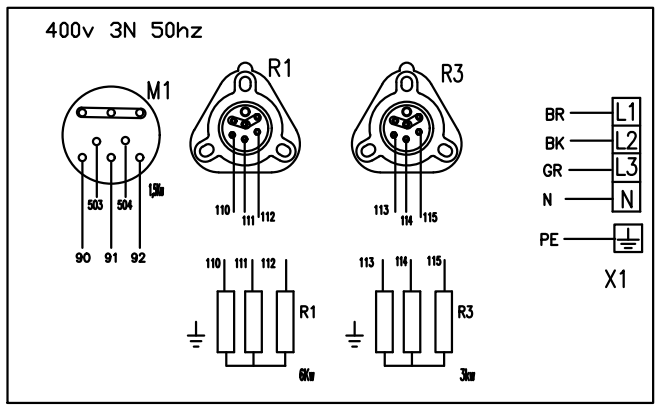
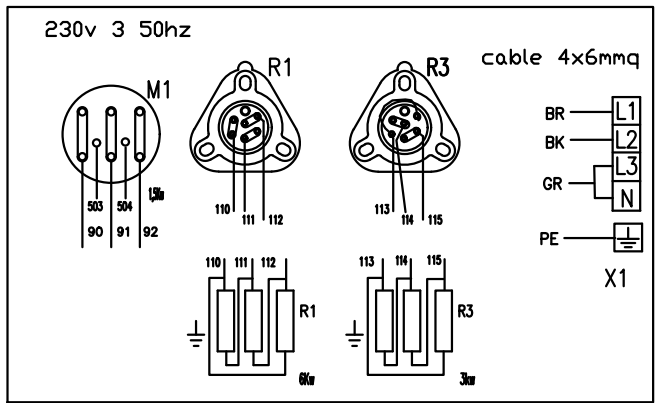
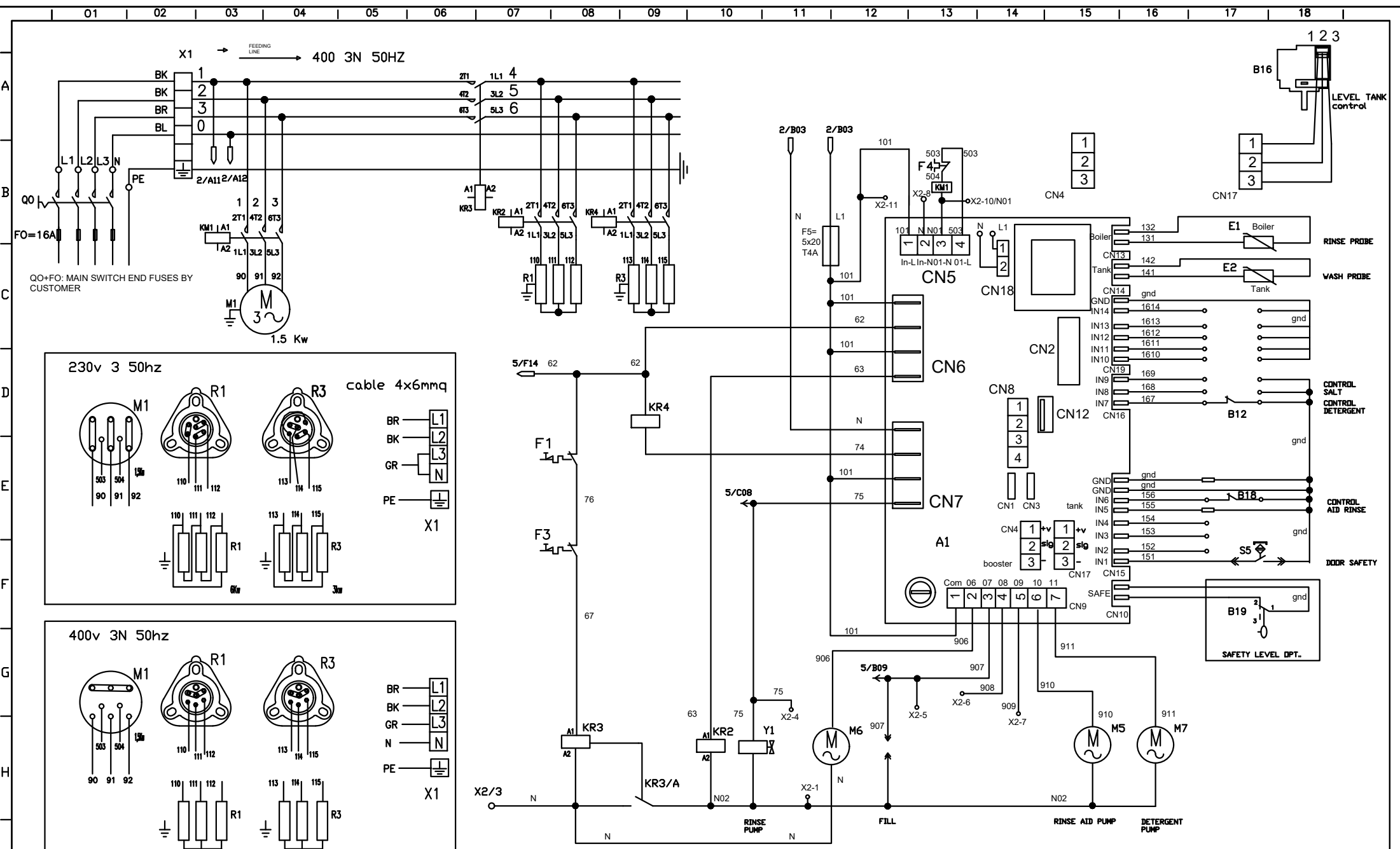


SCHALTPLAN



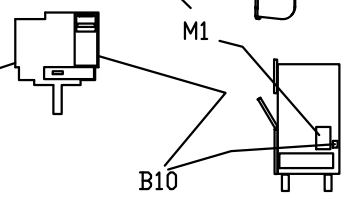
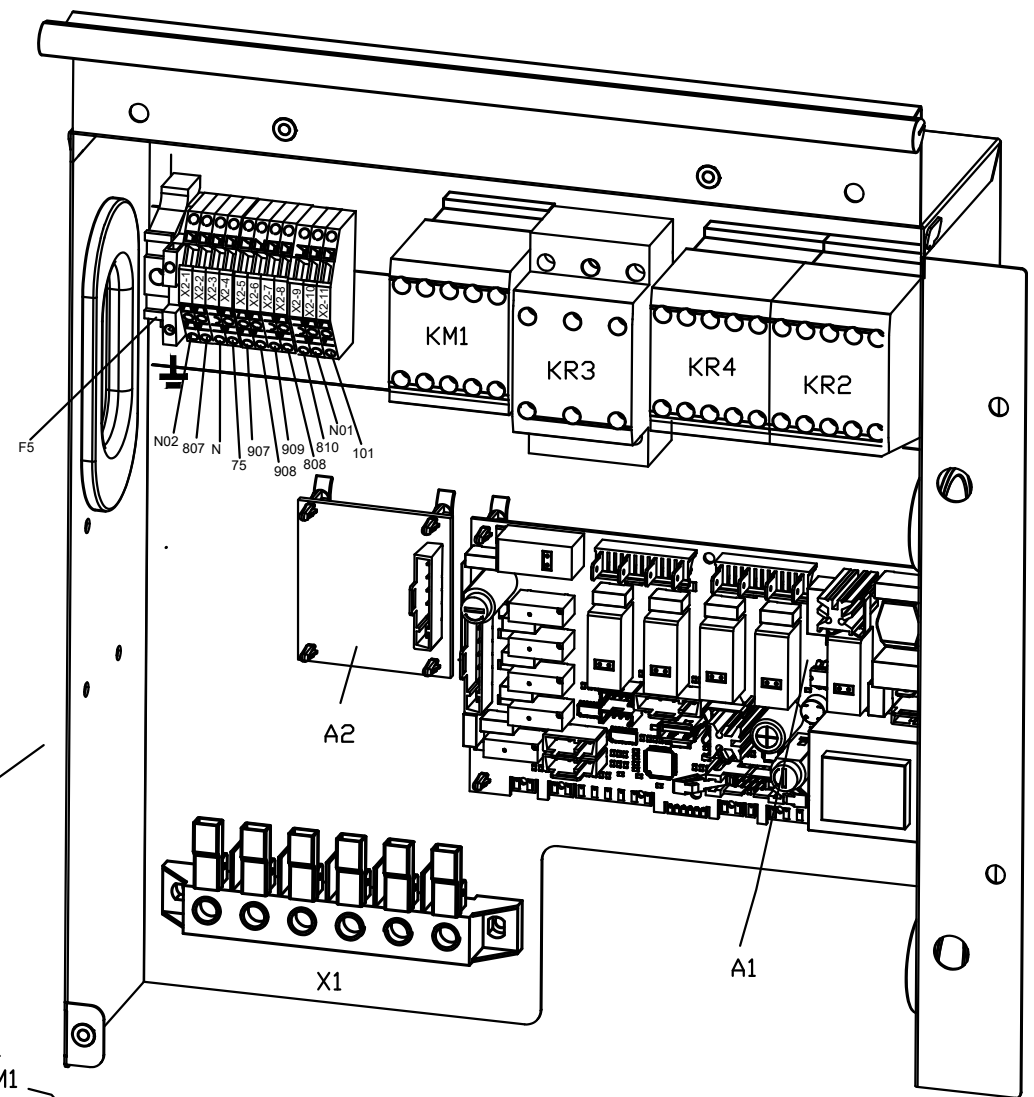
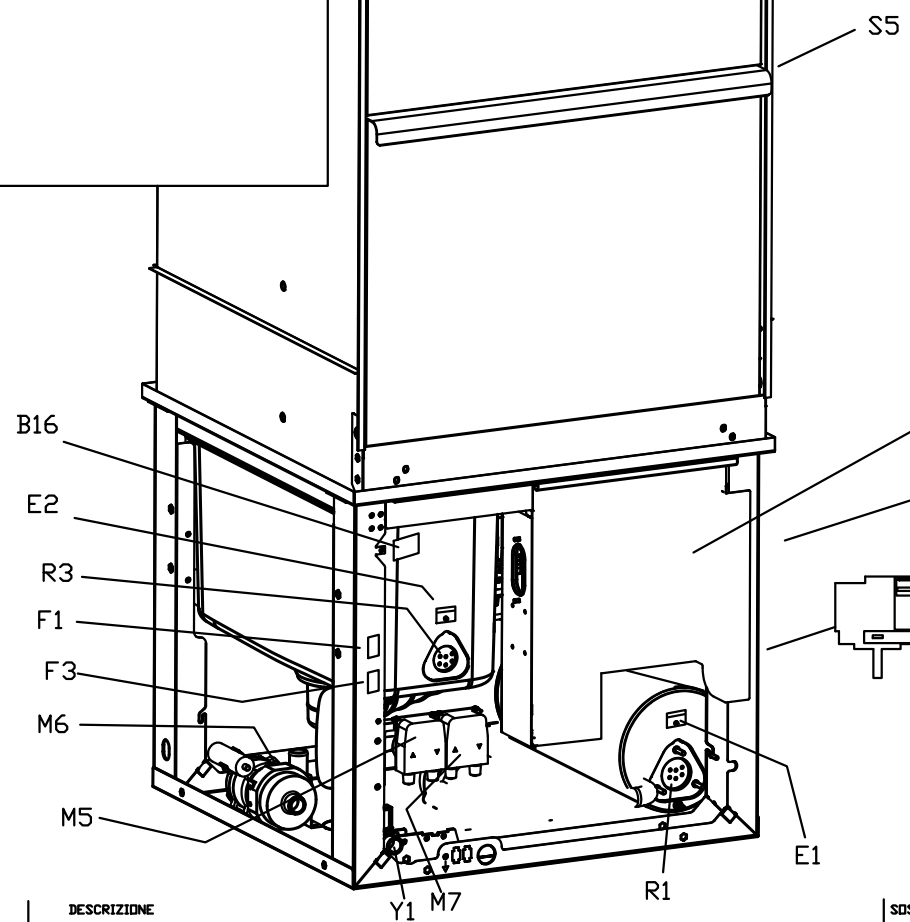
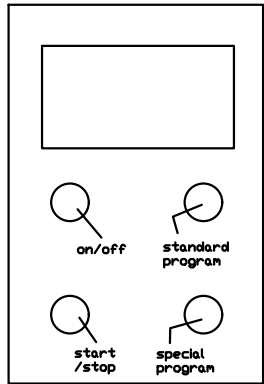
KBS Gastrotechnik GmbH – Schoßbergstraße 26 – 65201 Wiesbaden



OPTIONAL

| DESCRIZIONE | SDSTITUISCE | DATA | Dishwashers | | | n°/file | mod |
|-------------|-------------|------|-------------|----------|------------|---------|-----|
| -3 | | | total blatt | N° blatt | Next blatt | 82187 | -- |
| -2 | | | 5 | 1 | -2 | | |

| | | | | | | | |
|--------------|-----------|--------------|-----------------|--|--|--------|-------|
| code Machine | .4 /5 | denomination | WIRING DIAGRAMM | | | Codice | 82178 |
| re-examined | date/date | | | | | | |
| 08/10/18 | | | | | | | |
| inspected by | date | | | | | | |
| validated by | date/date | | | | | | |



| | | |
|--------------|--------------|-------------|
| code Machine | denomination | Codice |
| re-examined | 05/04/18 | 82178 |
| inspected by | Dishwashers | n°/file mod |
| validated by | total blat 5 | N° blat 2 |
| | Next blat 3 | 821187L - |

| | | |
|-------------|-------------|------|
| DESCRIZIONE | SOSTITUISCE | DATA |
| | | |

WIRING DIAGRAMM

Dishwashers

| | | | |
|----------|---|---|--|
| | | | |
| M9 | VENTOLA CONDENZA VAPORI STEAM CONDENSOR FAN | VENTILATEUR DE CONDENSEUR DE VAPEUR DAMPFKONDENSATORLUFTER | |
| S5 | MICROINTERRUTTORE MAGNETICO MAGNETIC SAFETY MICROSWITCH | MICROINTERRUPTEUR MAGNETIQUE MAGNETISCHER SICHERHITSSCHALTER | |
| F1 | TERMOSTATO SICUREZZA BOILER SAFETY BOOSTER HEATER THERMOSTAT | THERMOSTAT DE SECURITE DU BOYLER SICHERHEITZUNG | |
| F3 | TERMOSTATO SICUREZZA VASCA SAFETY TANK HEATER THERMOSTAT | THERMOSTAT DE SECURITE CUVE SICHERHEITS- TANKTHERMOSTAT | |
| R3 | RESISTENZA VASCA LAVAGGIO WASH TANK HEATING ELEMENT | RESISTANCE CUVE DE LAVAGE WASCHTANKHEIZUNG | |
| R1 | RESISTENZA BOILER BOOSTER HEATER HEATING ELEMENT | RESISTANCE BOYLER BOILERHEIZUNG | |
| M5 | ELETTRODOSATORE TENSIOATTIVO EL. RINSE AID INJECTOR | DOSEUR EL. PRODUIT RINCAGE NACHSPUELMITTELDOSIERGERAET | |
| M6 | ELETTROPOMPA DI SCARICO DRAIN PUMP | MOTEUR POMPE VIDANGE MOTOR LAUGENPUMPE | |
| M3 | ELETTROPOMPA AUMENTO PRESSIONE RINSE BOOSTER PUMP | ELECTROPOMPE AUGMENT PRESSION DRUCKSTEIGERUNGSPUMPE | |
| M7/M8 | ELETTRODOSATORE DETERSIVO EL. DETERGENT INJECTOR | DOSEUR EL. DETERGENT SPUEL MITTELDOSIERGERAET | |
| M1 | ELETTROPOMPA LAVAGGIO WASH ELECTRIC PUMP | ELECTROPOMPE LAVAGE ELEKTRISCHE UMAELZPUMPE | |
| KR3 | TELERUTTORE SICUREZZA LINEA SAFETY/LINE CONTACTOR | CONTACTEUR DE SECURITE DE LIGNE NETZSICHERHEITSSCHUTZ | |
| KR4 | TELERUTTORE RESISTENZA VASCA TANK HEATER CONTACTOR | CONTACTEUR RESISTANCE BOYLER LUFTSCHUETZ F. BOILERHEIZUNG | |
| KR2 | TELERUTTORE RESISTENZA BOILER BOOSTER HEATER CONTACTOR | CONTACTEUR RESISTANCE BOYLER LUFTSCHUETZ F. BOILERHEIZUNG | |
| KM1 | TELERUTTORE ELETTROPOMPA LAVAGGIO WASCH PUMP CONTACTEUR | CONTACTEUR ELECTROPOMPE LAVAGE SCHUETZ F. UMWAEHPUMPE | |
| Y1 | ELETTROVALVOLA CARICAMENTO FILL SOLENOID VALVE | ELECTROVANNE DE RINCAGE MAGNETVENT FUER NACHSPUELUNG | |
| B19 | PRESSOSTATO LIVELLO DI SICUREZZA SAFETY LEVEL PRESSOSTAT | PRESSOSTAT DE NIVEAU DE SECURITE SICHERHEITSNIVEAU DRUCKSCHALTER | |
| E2 | SONDA CONTROLLO VASCA PROBE TANK HEATER | THERMOSTAT RESISTANCE CUVE TANKHEIZUNG THERMOSTAT | |
| E1 | SONDA CONTROLLO BOILER BOOSTER HEATER THERMOSTAT | THERMOSTAT RESISTANCE BOYLER BOILERHEIZUNG | |
| C1 | CONDENSATORE CAPACITOUR | CONDENSEUR KONDENSATOR | |
| B10 | PRESSOSTATO LIVELLO BOILER BOILER PRESSURE SWITCH | PRESSOSTAT NIVEAU SURCHAUFFER NACHSPULBOILER NIVEAUSCHALTER | |
| B18 | CONTROLLO LIVELLO BRILLANTANTE RINSE AID CONTROL LEVEL | CONTROLE NIVEAU PRODUIT DE RINCAGE STUFE GLANZMITTEL | |
| B12 | CONTROLLO LIVELLO DETERGENTE DETERGENT LEVEL | CONTROLE NIVEAU DETERGENT SPULMITTELNIVEAUSCHALTER | |
| B16 | PRESSOSTATO LIVELLO VASCA TANK PRESSURE SWITCH | PRESSOSTAT NIVEAU AIRGAP TANKDRUCKSCHALTER-NIVEAUREGLER | |
| A1/A2/A3 | SCHEDA CONTROLLO ELECTRONIC CONTROL UNIT | FICHE DE CONTROLEELECTRONIQUE ELEKTRONISCHE BEDIENUNGSKARTE | |
| F5 | FUSIBILE FUZE | FUSIBLE SICHERUNG | |
| SIMB. | DESCRIZIONE DESCRIPTION | DESCRIPTION BESCHREIBUNG | |

| | | | | | | |
|--------------|--|------------------------------|--|--|-------------|--|
| code Machine | | denomination | | | Code | |
| re-examined | | WIRING DIAGRAMM | | | 82178 | |
| date | | | | | | |
| 05/04/18 | | | | | | |
| inspected by | | Dishwashers | | | n°/file mod | |
| date | | | | | | |
| validated by | | total blat N° blat Next blat | | | 82187 -- | |
| | | 5 3 -4 | | | | |

DESCRIZIONE

SOSTITUISCE

DATA

-3

-2

A

B

C

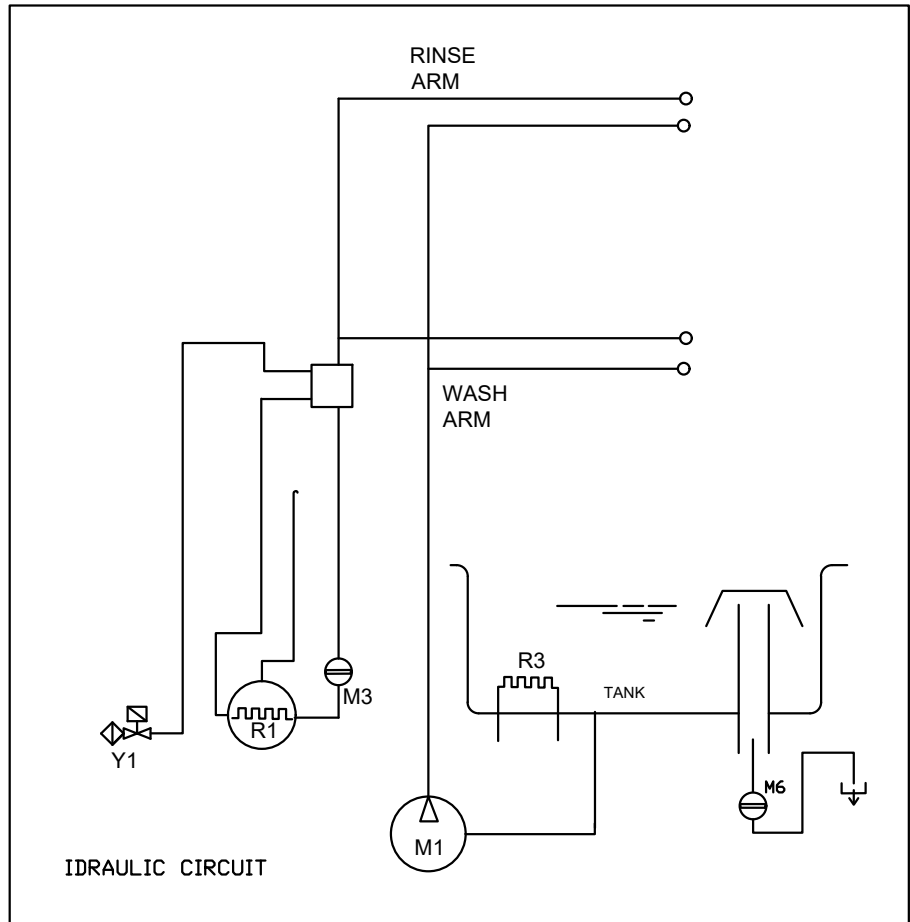
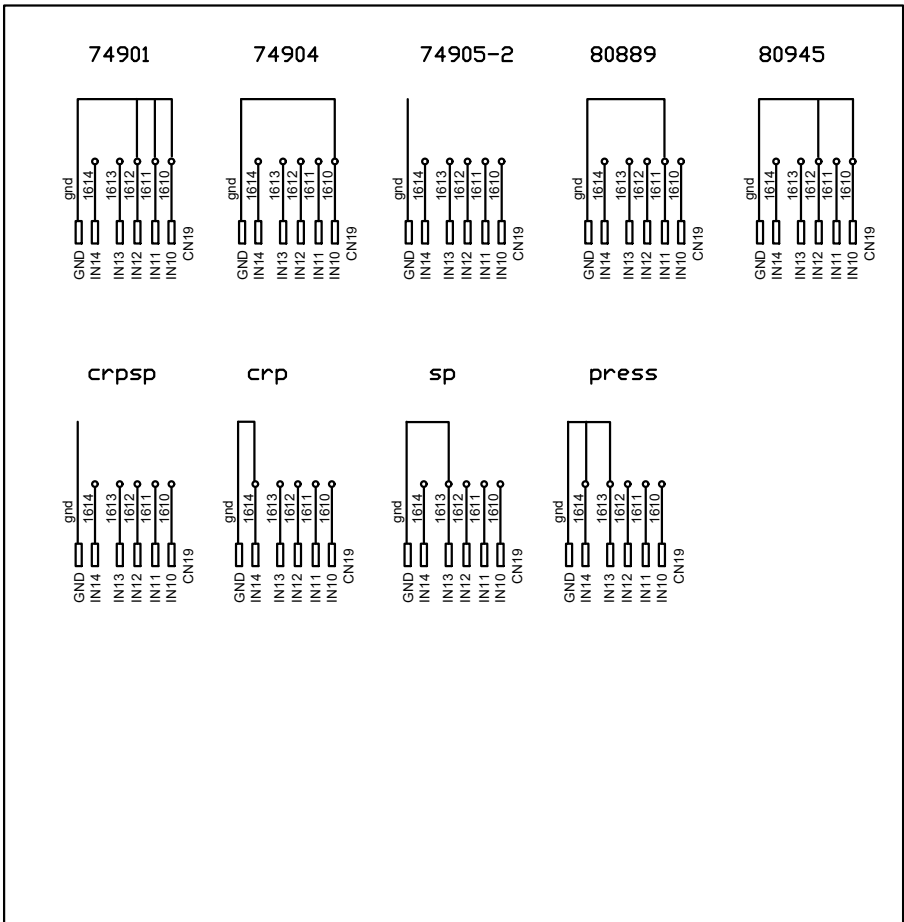
D

E

F

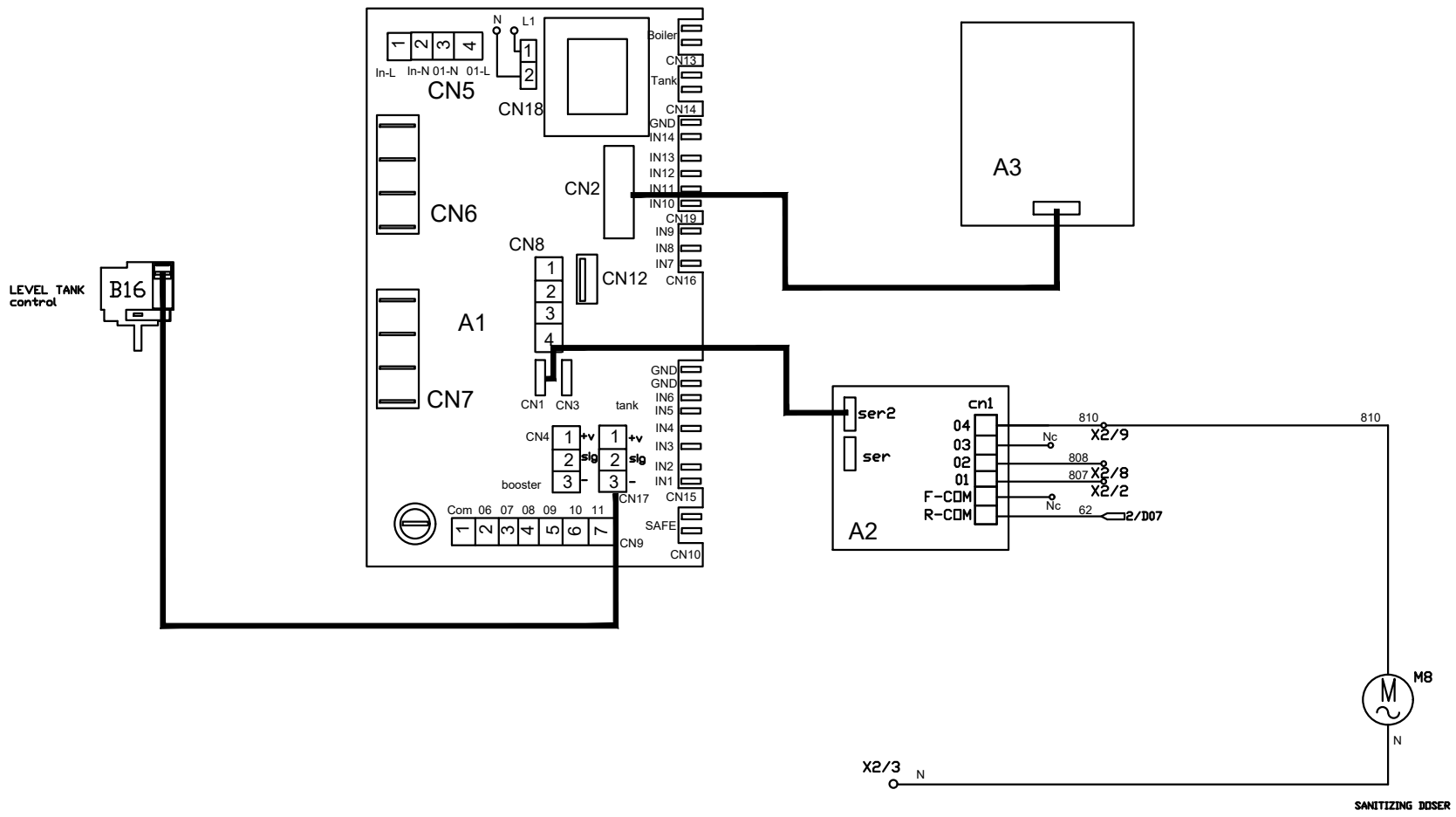
G

H



| DESCRIZIONE | SOSTITUISCE | DATA |
|-------------|-------------|------|
| | | |

| | | | | | | |
|--------------|-----------|-----------------|---------|-----------|---------|-----|
| code Machine | | denomination | | | Codice | |
| re-examined | date/date | WIRING DIAGRAMM | | | 82178 | |
| | 05/04/18 | | | | | |
| inspected by | date/date | Dishwashers | | | n°/file | mod |
| validated by | date/date | total blat | N° blat | Next blat | 821871 | -- |
| | | 5 | 4 | 5 | | |



OPTIONAL

| | | | | | | |
|--------------|-----------|-----------------|---------|-----------|---------|-----|
| code Machine | | denomination | | | Codice | |
| re-examined | date/date | WIRING DIAGRAMM | | | 82178 | |
| inspected by | date | | | | | |
| validated by | date/date | Dishwashers | | | n°/file | mod |
| | | total blat | N° blat | Next blat | 82187 | -- |
| | | 5 | 5 | | | |

| DESCRIZIONE | SOSTITUISCE | DATA |
|-------------|-------------|------|
| -3 | | |
| -2 | | |