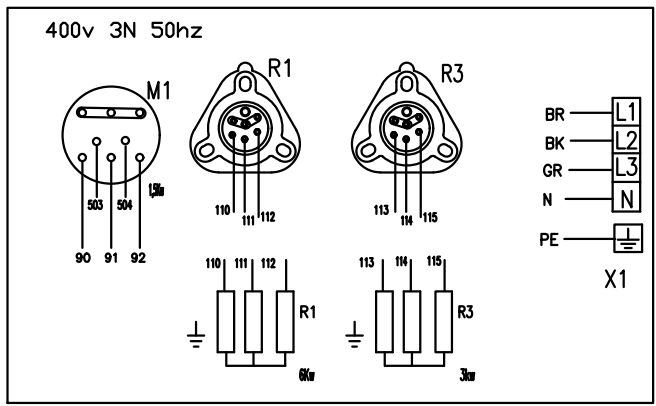
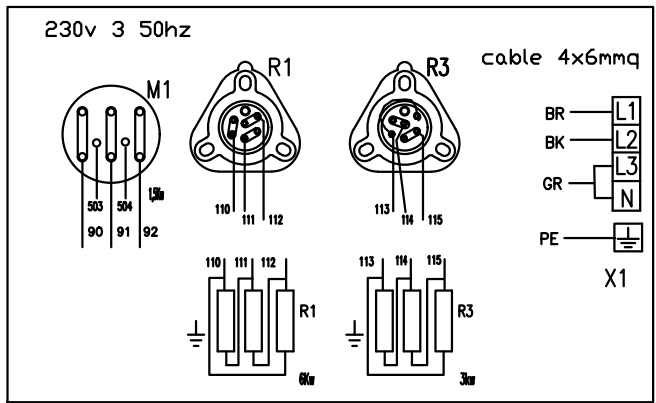
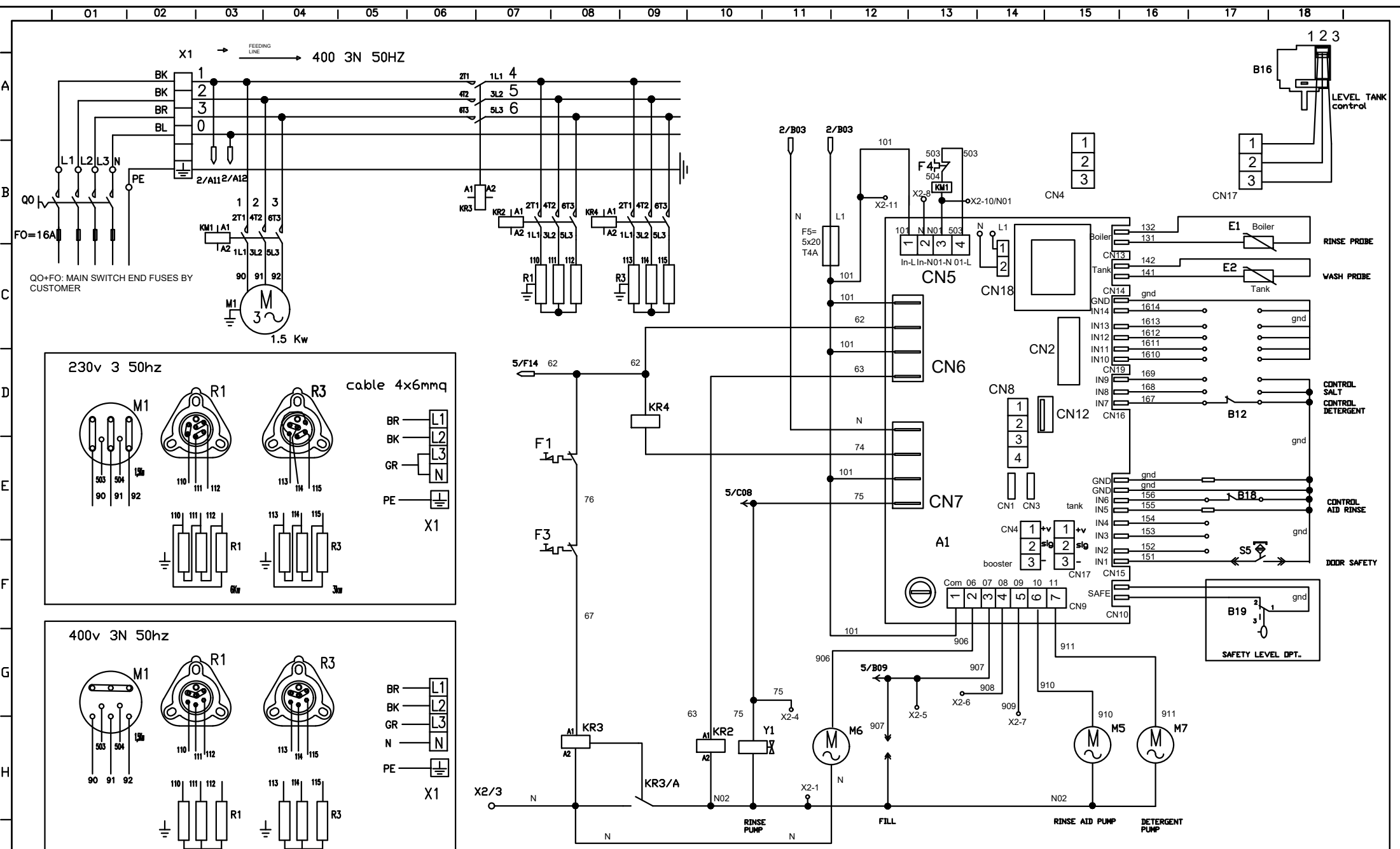


# SCHALTPLAN



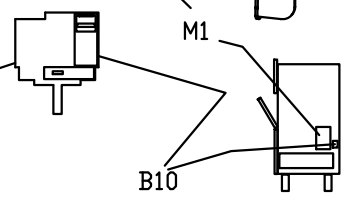
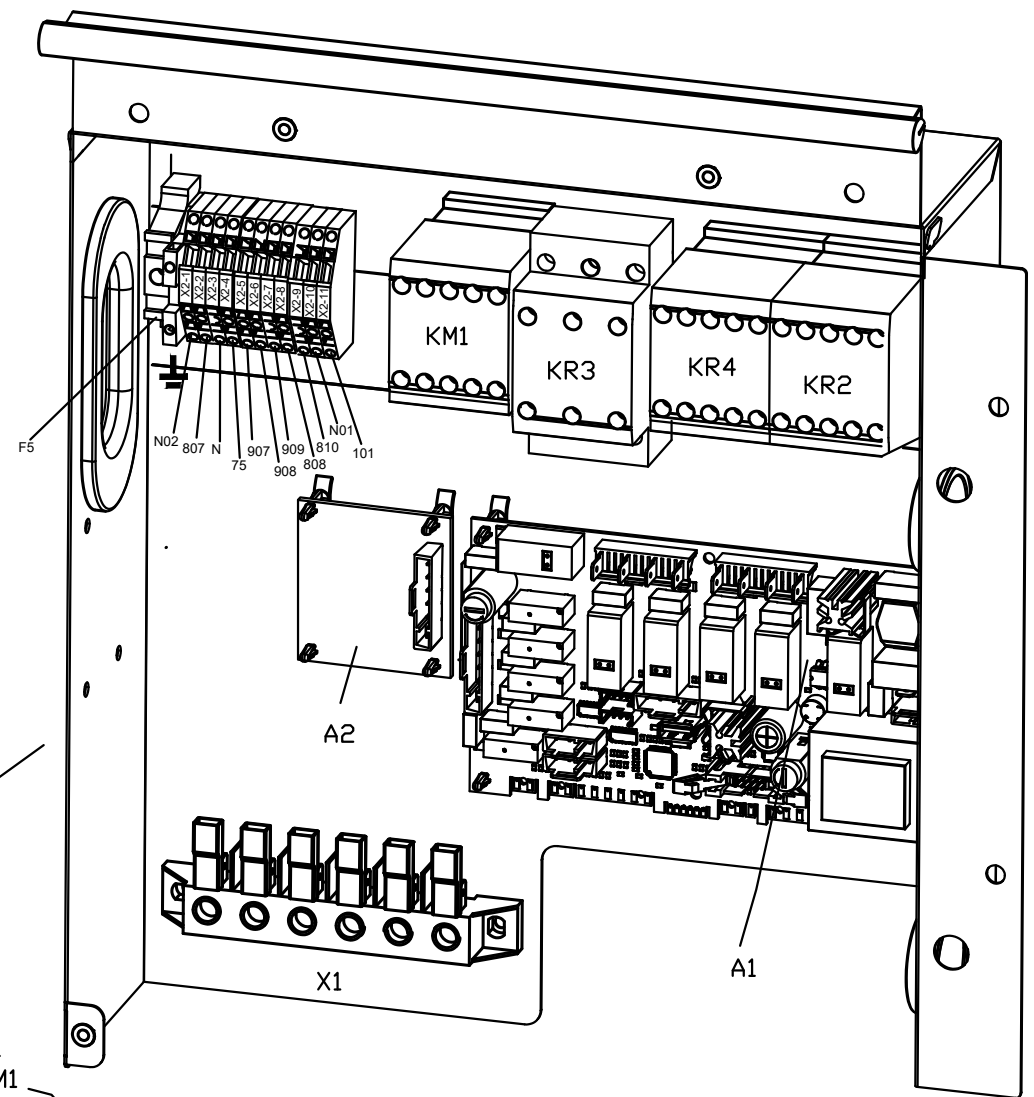
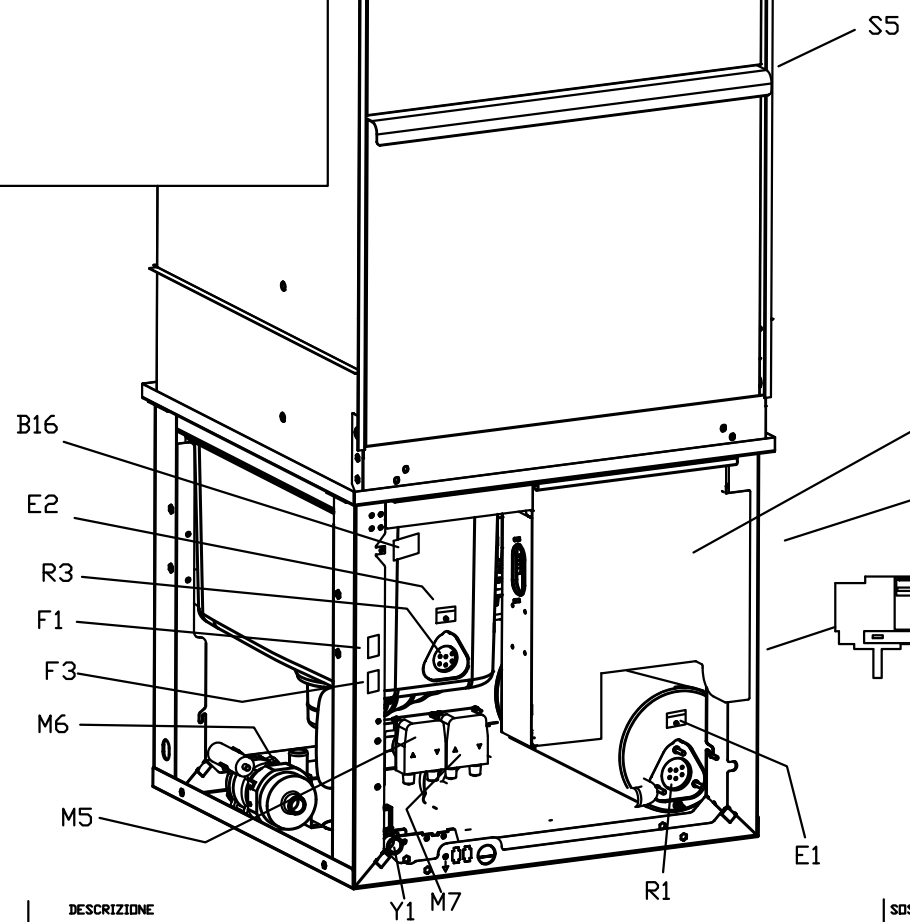
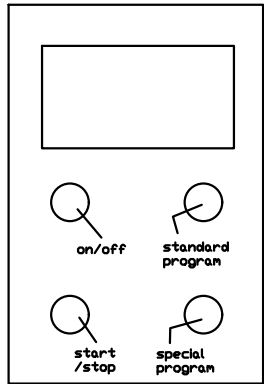
KBS Gastrotechnik GmbH – Schoßbergstraße 26 – 65201 Wiesbaden



OPTIONAL

DESCRIZIONE	SDSTITUISCE	DATA	Dishwashers			Codice
-3			total blatt	N° blatt	Next blatt	82178
-2			5	1	-2	

code Machine	.4 /5	denomination	WIRING DIAGRAMM			Codice
re-examined	date/date					82178
inspected by	date					n°/file
validated by	date/date		total blatt	N° blatt	Next blatt	82187 --
			5	1	-2	



code Machine	denomination	Codice
re-examined	05/04/18	82178
inspected by	Dishwashers	n°/file mod
validated by	total blat 5	N° blat 2
	Next blat 3	821187L -

DESCRIZIONE	SOSTITUISCE	DATA

WIRING DIAGRAMM

Dishwashers

M9	VENTOLA CONDENSA VAPORI STEAM CONDENSOR FAN	VENTILATEUR DE CONDENSEUR DE VAPEUR DAMPFKONDENSATORLUFTER		
S5	MICROINTERRUTTORE MAGNETICO MAGNETIC SAFETY MICROSWITCH	MICROINTERRUPTEUR MAGNETIQUE MAGNETISCHER SICHERHITSSCHALTER		
F1	TERMOSTATO SICUREZZA BOILER SAFETY BOOSTER HEATER THERMOSTAT	THERMOSTAT DE SECURITE DU BOYLER SICHERHEITZUNG		
F3	TERMOSTATO SICUREZZA VASCA SAFETY TANK HEATER THERMOSTAT	THERMOSTAT DE SECURITE CUVE SICHERHEITS- TANKTHERMOSTAT		
R3	RESISTENZA VASCA LAVAGGIO WASH TANK HEATING ELEMENT	RESISTANCE CUVE DE LAVAGE WASCHTANKHEIZUNG		
R1	RESISTENZA BOILER BOOSTER HEATER HEATING ELEMENT	RESISTANCE BOYLER BOILERHEIZUNG		
M5	ELETTRODOSATORE TENSIOATTIVO EL. RINSE AID INJECTOR	DOSEUR EL. PRODUIT RINCAGE NACHSPUELMITTELDOSIERGERAET		
M6	ELETTROPOMPA DI SCARICO DRAIN PUMP	MOTEUR POMPE VIDANGE MOTOR LAUGENPUMPE		
M3	ELETTROPOMPA AUMENTO PRESSIONE RINSE BOOSTER PUMP	ELECTROPOMPE AUGMENT PRESSION DRUCKSTEIGERUNGSPUMPE		
M7/M8	ELETTRODOSATORE DETERSIVO EL. DETERGENT INJECTOR	DOSEUR EL. DETERGENT SPUEL MITTELDOSIERGERAET		
M1	ELETTROPOMPA LAVAGGIO WASH ELECTRIC PUMP	ELECTROPOMPE LAVAGE ELEKTRISCHE UMAELZPUMPE		
KR3	TELERUTTORE SICUREZZA LINEA SAFETY/LINE CONTACTOR	CONTACTEUR DE SECURITE DE LIGNE NETZSICHERHEITSSCHUTZ		
KR4	TELERUTTORE RESISTENZA VASCA TANK HEATER CONTACTOR	CONTACTEUR RESISTANCE BOYLER LUFTSCHUETZ F. BOILERHEIZUNG		
KR2	TELERUTTORE RESISTENZA BOILER BOOSTER HEATER CONTACTOR	CONTACTEUR RESISTANCE BOYLER LUFTSCHUETZ F. BOILERHEIZUNG		
KM1	TELERUTTORE ELETTROPOMPA LAVAGGIO WASCH PUMP CONTACTEUR	CONTACTEUR ELECTROPOMPE LAVAGE SCHUETZ F. UMWAEELPUMPE		
Y1	ELETTROVALVOLA CARICAMENTO FILL SOLENOID VALVE	ELECTROVANNE DE RINCAGE MAGNETVENT FUER NACHSPUELUNG		
B19	PRESSOSTATO LIVELLO DI SICUREZZA SAFETY LEVEL PRESSOSTAT	PRESSOSTAT DE NIVEAU DE SECURITE SICHERHEITSNIVEAU DRUCKSCHALTER		
E2	SONDA CONTROLLO VASCA PROBE TANK HEATER	THERMOSTAT RESISTANCE CUVE TANKHEIZUNG THERMOSTAT		
E1	SONDA CONTROLLO BOILER BOOSTER HEATER THERMOSTAT	THERMOSTAT RESISTANCE BOYLER BOILERHEIZUNG		
C1	CONDENSATORE CAPACITOUR	CONDENSEUR KONDENSATOR		
B10	PRESSOSTATO LIVELLO BOILER BOILER PRESSURE SWITCH	PRESSOSTAT NIVEAU SURCHAUFFER NACHSPULBOILER NIVEAUSCHALTER		
B18	CONTROLLO LIVELLO BRILLANTANTE RINSE AID CONTROL LEVEL	CONTROLE NIVEAU PRODUIT DE RINCAGE STUFE GLANZMITTEL		
B12	CONTROLLO LIVELLO DETERGENTE DETERGENT LEVEL	CONTROLE NIVEAU DETERGENT SPULMITTELNIVEAUSCHALTER		
B16	PRESSOSTATO LIVELLO VASCA TANK PRESSURE SWITCH	PRESSOSTAT NIVEAU AIRGAP TANKDRUCKSCHALTER-NIVEAUREGLER		
A1/A2/A3	SCHEDA CONTROLLO ELECTRONIC CONTROL UNIT	FICHE DE CONTROLE ELECTRONIQUE ELEKTRONISCHE BEDIENUNGSKARTE		
F5	FUSIBILE FUZE	FUSIBLE SICHERUNG		
SIMB.	DESCRIZIONE DESCRIPTION	DESCRIPTION BESCHREIBUNG		

code Machine		denomination			Code	
re-examined		WIRING DIAGRAMM			82178	
date		05/04/18				
inspected by		Dishwashers			n°/file mod	
date					82187 --	
validated by		total blat	N° blat	Next blat		
		5	3	-4		

DESCRIZIONE	SOSTITUISCE	DATA
-3		
-2		

A

B

C

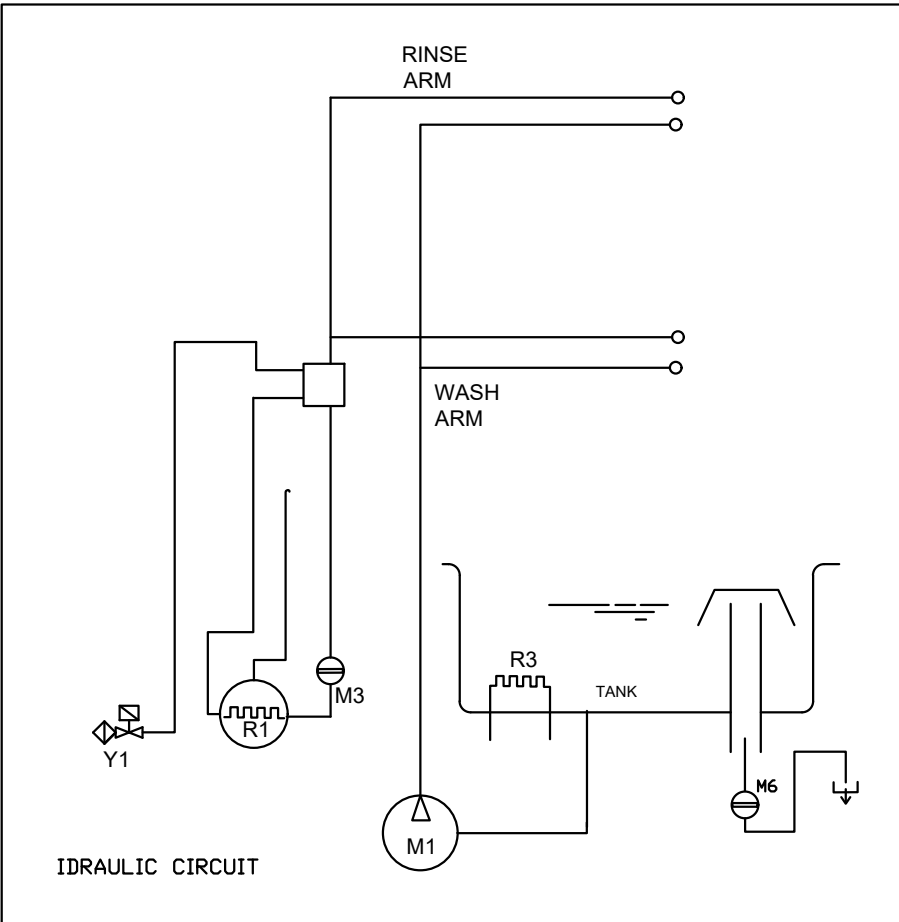
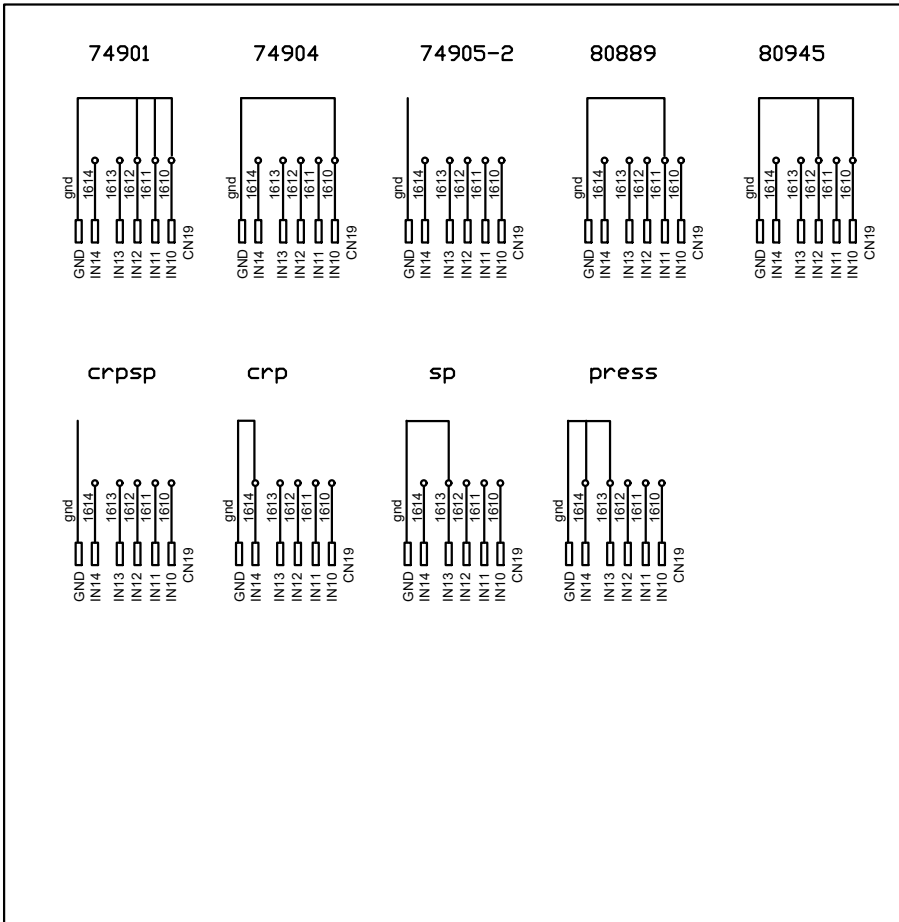
D

E

F

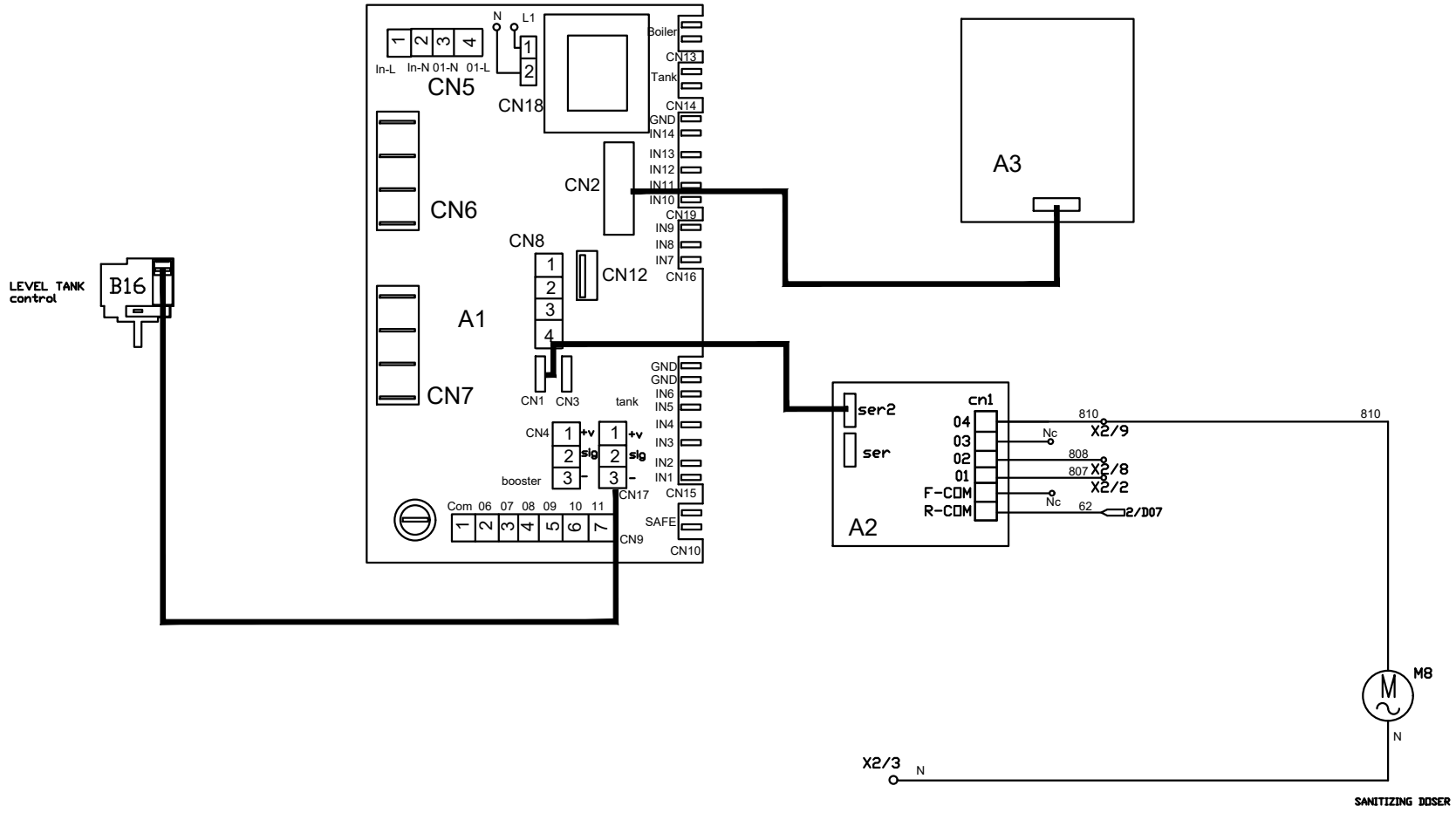
G

H



DESCRIZIONE	SOSTITUISCE	DATA

code Machine		denomination			Codice	
re-examined	date/date	WIRING DIAGRAMM			82178	
	05/04/18					
Inspected by	date/date	Dishwashers			n°/file	mod
validated by	date/date	total blat	N° blat	Next blat	821871	--
		5	4	5		



OPTIONAL

code Machine		denomination			Codice	
re-examined	date/date	WIRING DIAGRAMM			82178	
inspected by	date					
validated by		Dishwashers			n°/file	mod
		total blat	N° blat	Next blat	82187	--
		5	5			

DESCRIZIONE	SOSTITUISCE	DATA
-3		
-2		