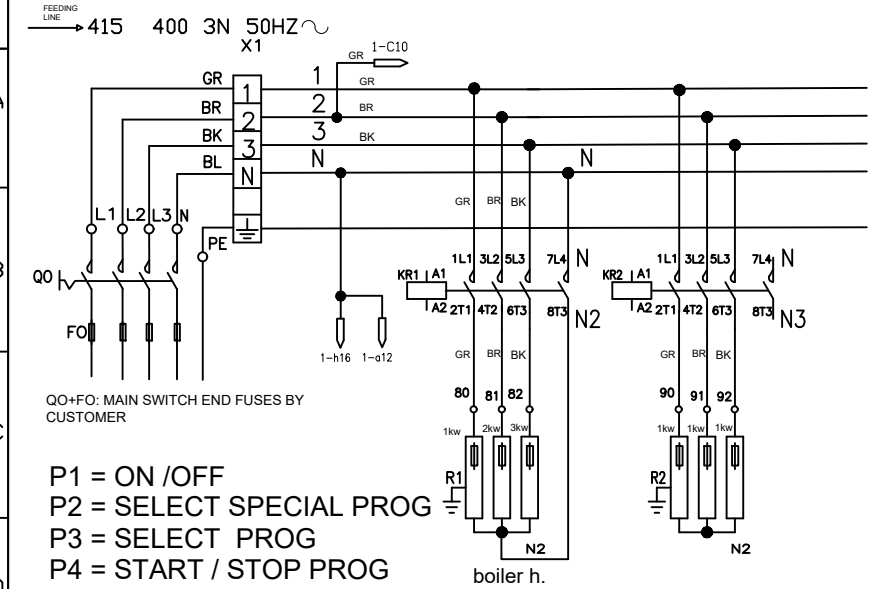


SCHALTPLAN

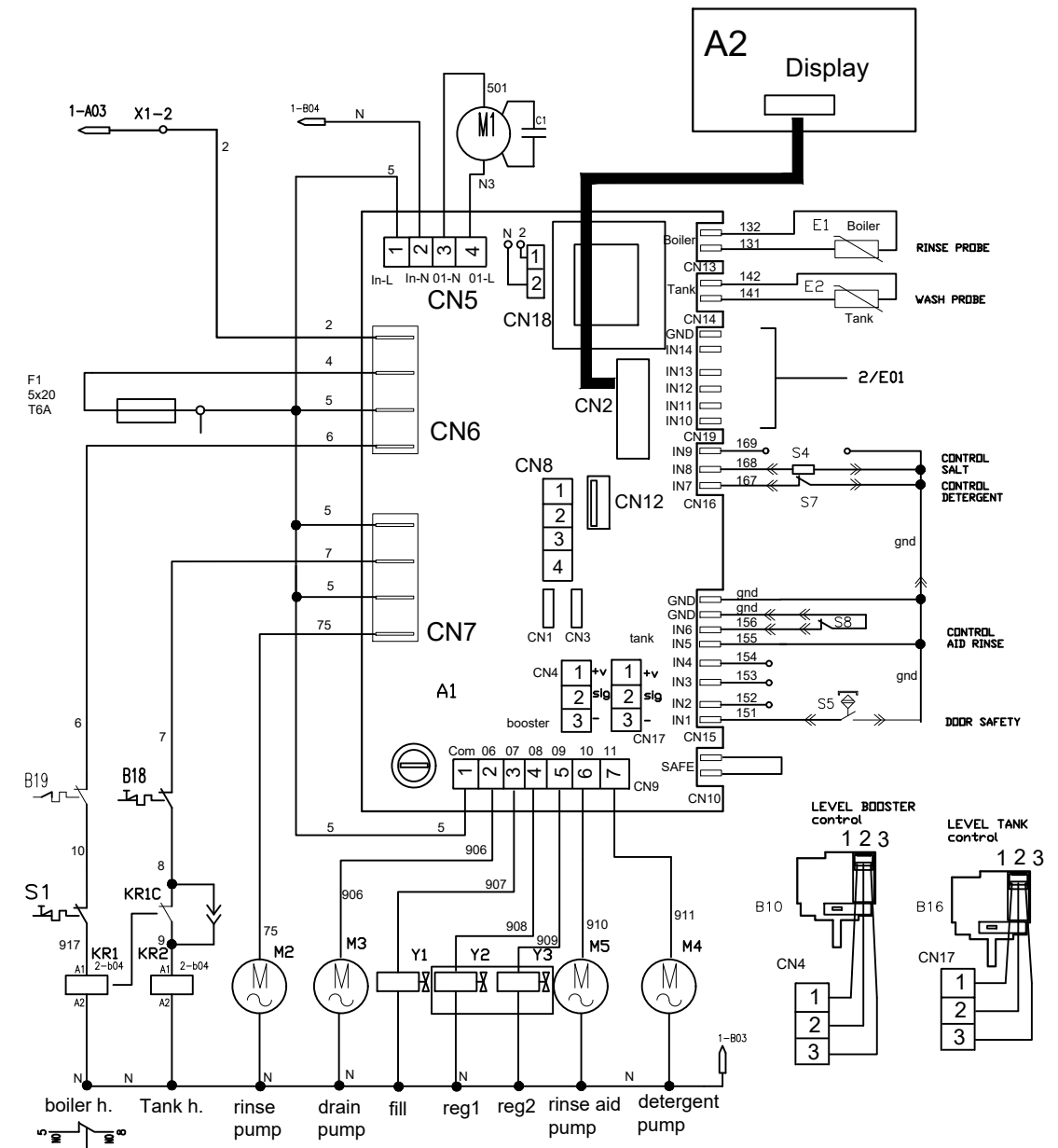
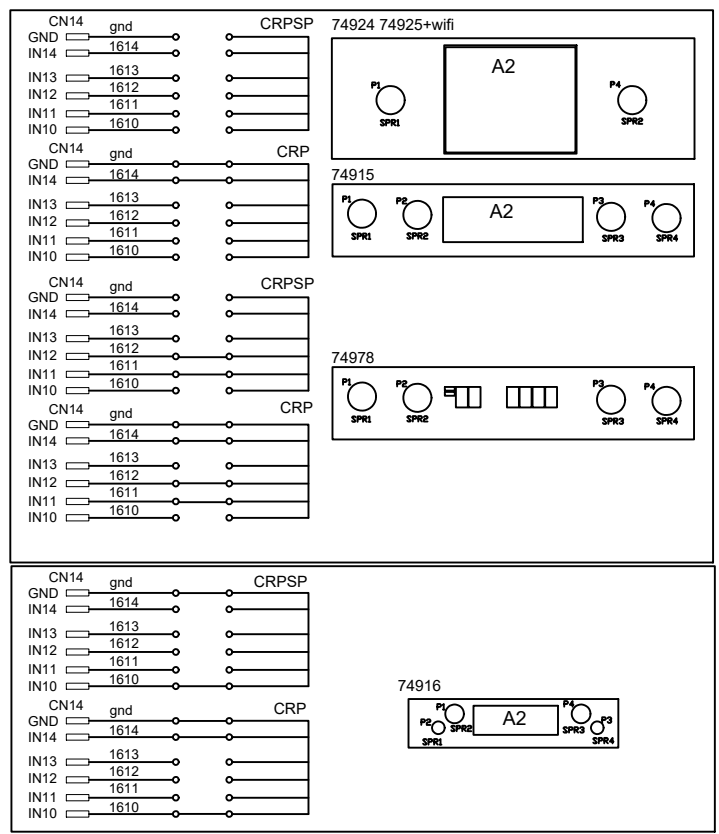


KBS Gastrotechnik GmbH – Schoßbergstraße 26 – 65201 Wiesbaden



QO+FO: MAIN SWITCH END FUSES BY CUSTOMER

P1 = ON /OFF
 P2 = SELECT SPECIAL PROG
 P3 = SELECT PROG
 P4 = START / STOP PROG



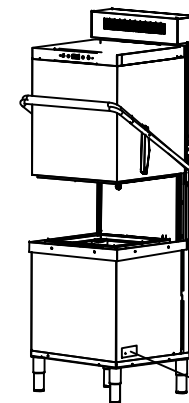
DESCRIZIONE		SDSTITUISCE		DATA		code Machine		denomination		Codice	
-1						re-examined	date	WIRING DIAGRAMM			
-2						inspected by	date	Dishwashers Hood type		n°/file	mod
						validated by	date	total	N°	Next	86117
								5	1	2	--

19/06/24

86117

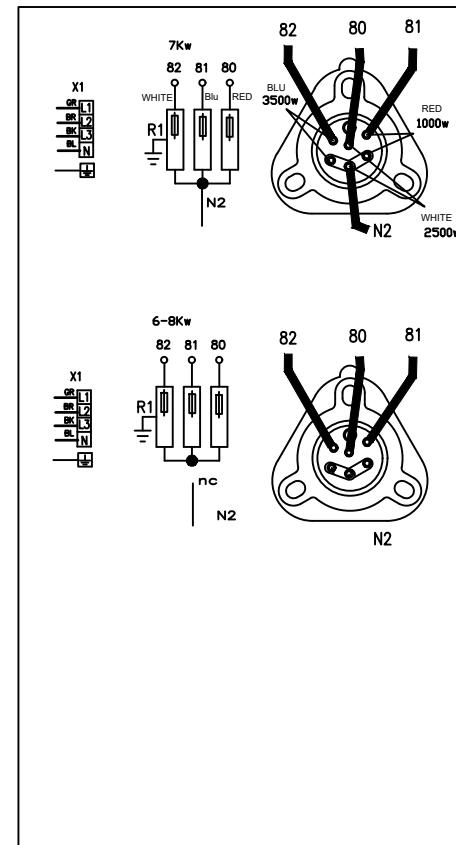
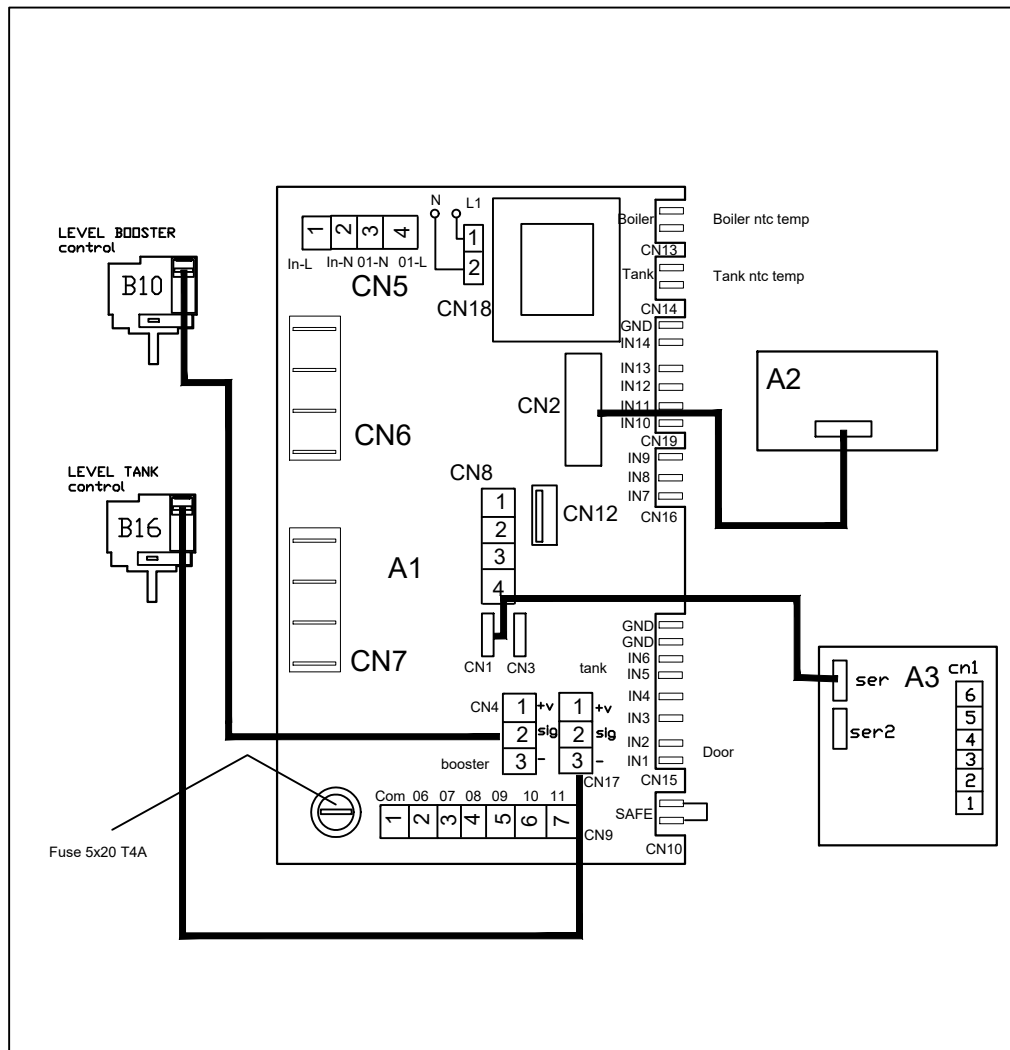
WIRING DIAGRAM FOR CAPOT DISHWASHER

Power supply: 400v/415v 3N 50hz
 Auxillary voltage: 230V
 Intarface voltage: 12Vdc
 Input electronic main controll voltage: 6Vdc



Machine data information plate: serial number/power supply

S4	CONTROLLO LIVELLO SALE SALT LEVEL CONTROL
S5	MICROINTERRUTTORE MAGNETICO MAGNETIC SAFETY MICROSWITCH
S7	CONTROLLO LIVELLO DETERGENTE DETERGENT LEVEL CONTROL
S8	CONTROLLO LIVELLO BRILLANTANTE RINSE AID LEVEL CONTROL
B19	TERMOSTATO SICUREZZA BOILER SAFETY BOOSTER HEATER THERMOSTAT
B17 B18	TERMOSTATO SICUREZZA VASCA SAFETY TANK HEATER THERMOSTAT
R2	RESISTENZA VASCA LAVAGGIO WASH TANK HEATING ELEMENT
R1	RESISTENZA BOILER BOOSTER HEATER HEATING ELEMENT
M5	ELETTRODOSATORE TENSIOATTIVO EL. RINSE AID INJECTOR
M3	ELETTROPOMPA DI SCARICO DRAIN PUMP
M2	ELETTROPOMPA RISCACQUO RINSE BOOSTER PUMP
M4	ELETTRODOSATORE DETERSIVO EL. DETERGENT INJECTOR
M1	ELETTROPOMPA LAVAGGIO WASH ELECTRIC PUMP
KR1	TELERUTTORE RESISTENZA BOILER BOOSTER HEATER CONTACTOR
Y1	ELETTROVALVOLA RISCACQUO RINSE SOLENOID VALVE
F... #1/2/3	FUSIBILE FEUSES
E2	SONDA CONTROLLO VASCA PROBE TANK HEATER
E1	SONDA CONTROLLO BOILER BOOSTER HEATER THERMOSTAT
C1/C2	CONDENSATORE CAPACITOUR
B10	PRESSOSTATO LIVELLO BOILER BOILER PRESSURE SWITCH
B16	CONTROLLO LIVELLO BRILLANTANTE RINSE AID CONTROL LEVEL
B12	CONTROLLO LIVELLO DETERGENTE DETERGENT LEVEL
B10	PRESSOSTATO LIVELLO VASCA TANK PRESSURE SWITCH
A3	SCHEDE ELETTRONICA AUSILIARE AUXILIARY ELECTRONIC CONTROL UNIT
A2	SCHEDE ELETTRONICA DISPLAY DISPLAY
A1	SCHEDE ELETTRONICA PRINCIPALE MAIN ELECTRONIC CONTROL UNIT
SIMB.	DESCRIZIONE DESCRIPTION



code Machine		denomination	Code	
re-examined	date	WIRING DIAGRAMM main board connection		
	07/04/22			
inspected by	date	Dishwashers Hood type	n°/file	mod
validated by	date	total pag 5	N° pag 2	86117 --

DESCRIZIONE	SOSTITUISCE	DATA

A

B

C

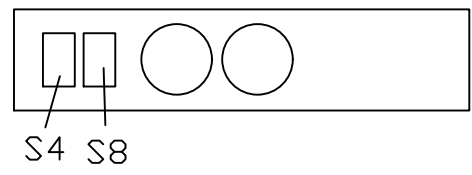
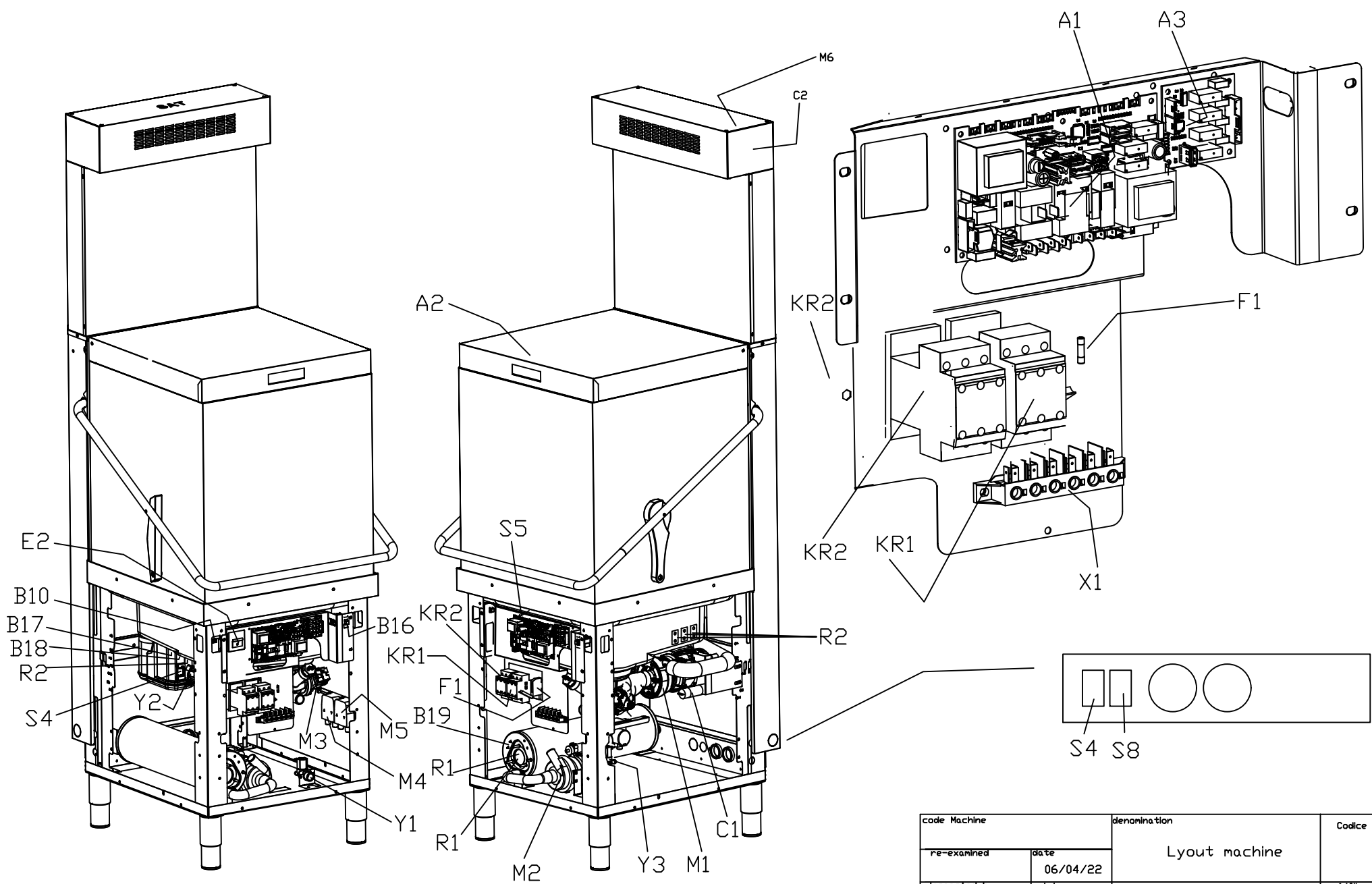
D

E

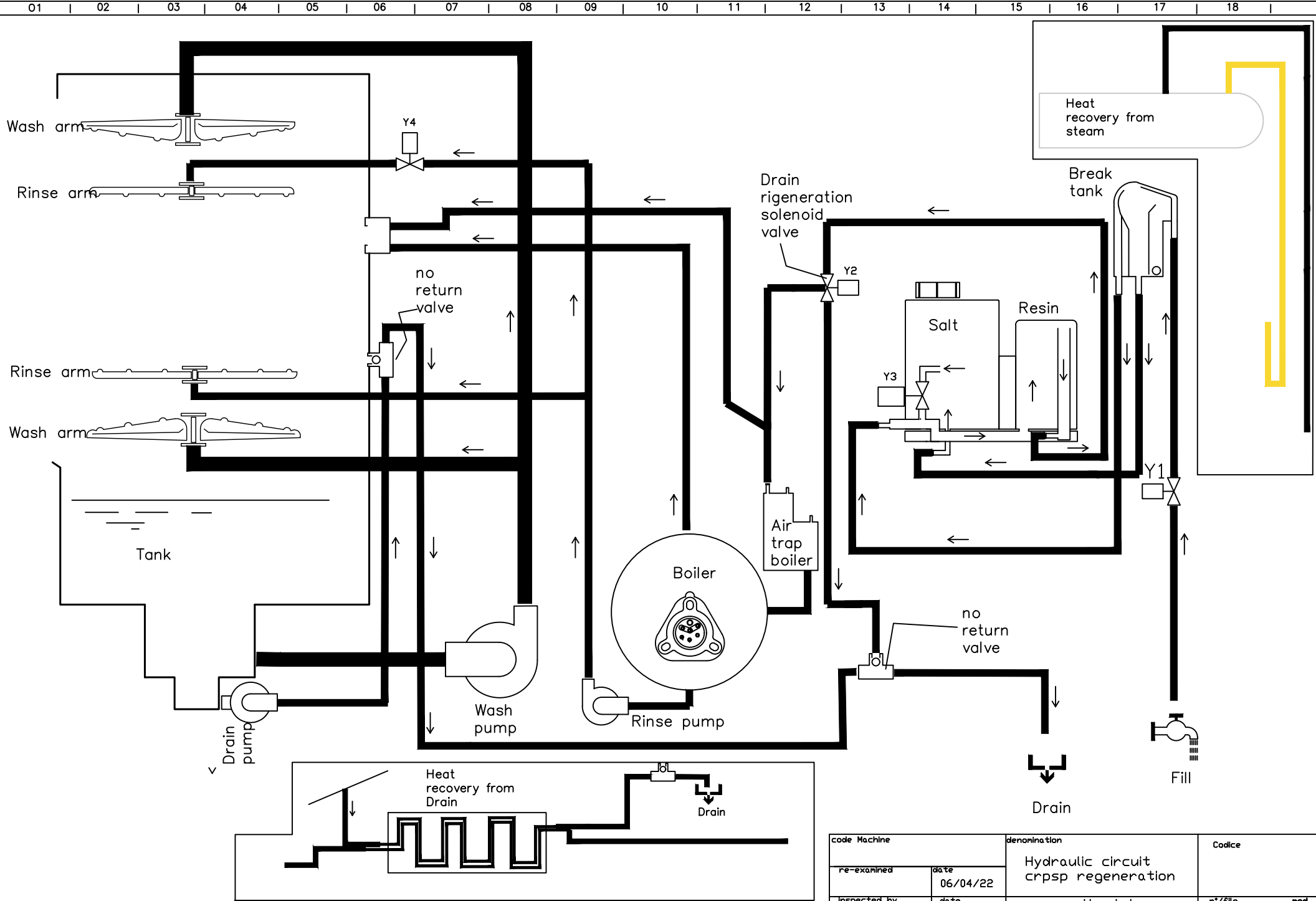
F

G

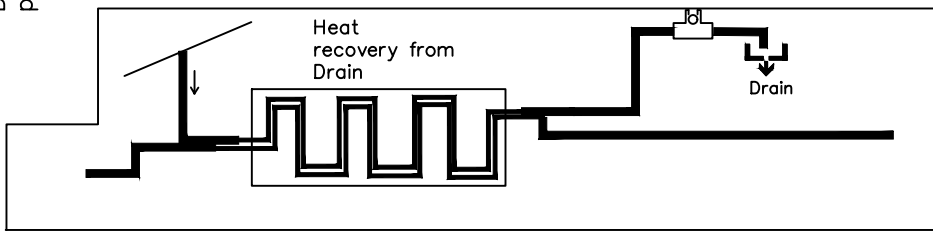
H



code Machine		denomination		Codice	
re-examined		date		Lyout machine	
		06/04/22			
inspected by		date		Dishwashers Hood type	
validated by		date		n°/file mod	
				86117--	
		total pag		N° pag	
		5		3	



Heat recovery from steam



code Machine		denomination		Codice	
re-examined	date	Hydraulic circuit crpsp regeneration			
	06/04/22				
inspected by	date	Dishwashers Hood type		n°/file	mod
validated by	date	total blat	N° blat	Next blat	
		5	4		
				86117	--

DESCRIZIONE	SOSTITUISCE	DATA