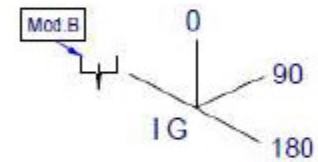
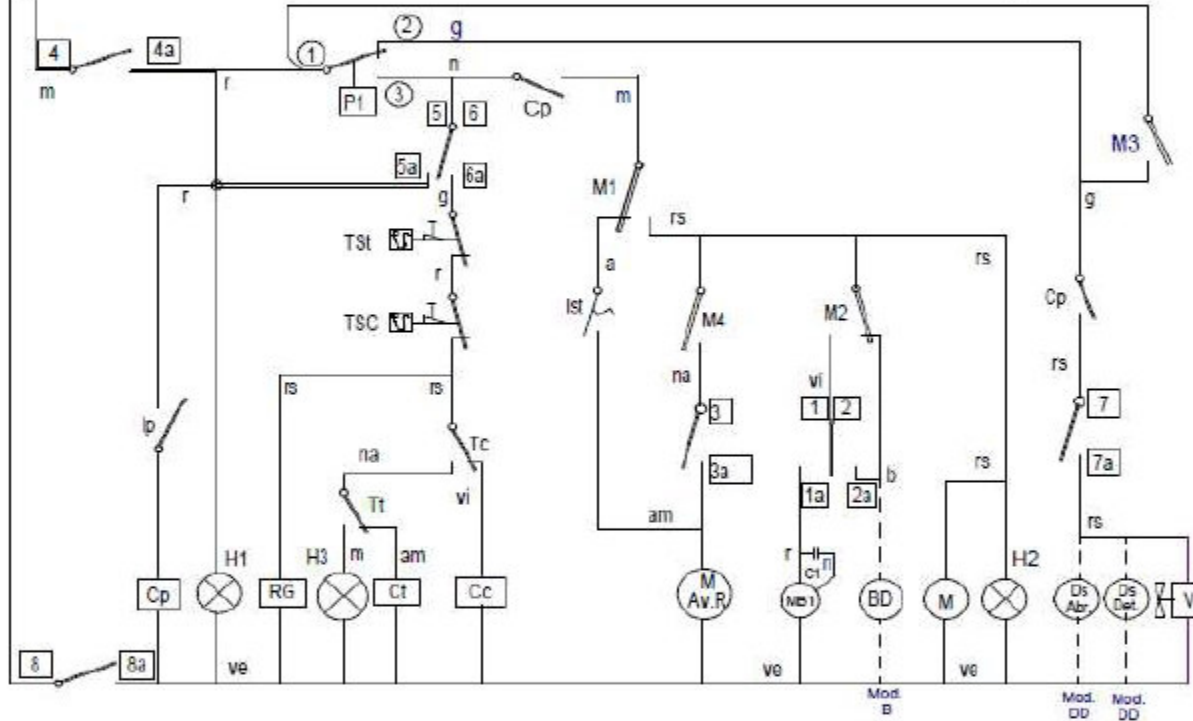
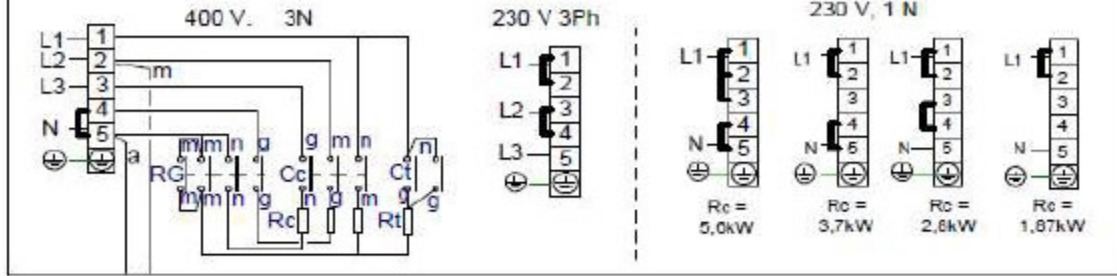


# SCHALTPLAN

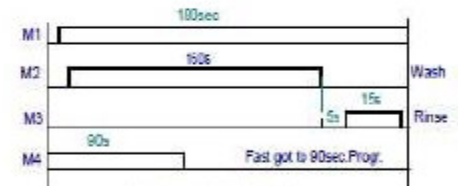


KBS Gastrotechnik GmbH – Schoßbergstraße 26 – 65201 Wiesbaden

# EASY 500 HP, B, DD



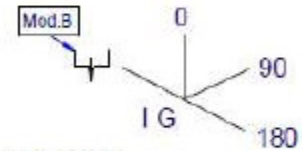
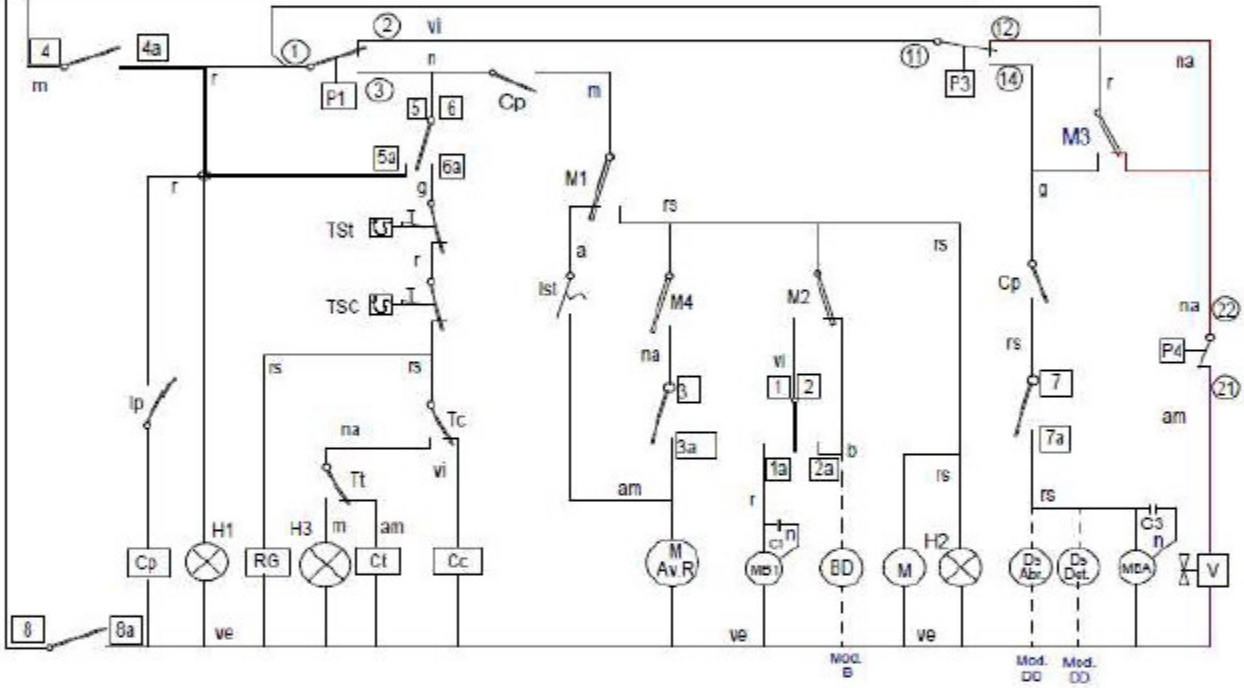
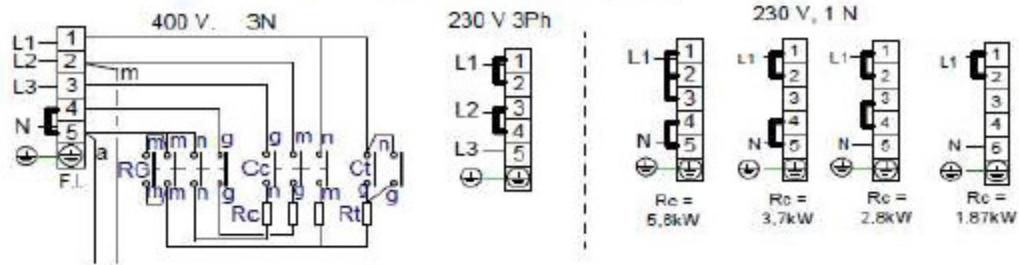
I G	1-1a	2-2a	3-3a	4-4a	5-5a	6-6a	7-7a	8-8a
I G		X		X	X			
0								X
90	X		X	X		X	X	X
180	X			X		X	X	X



12130654

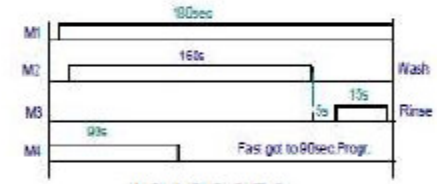
- Esquema teorico Easy 500 HP		12130854		TREATMENT	
Nº	TITLE	QTY	CODE	MATERIAL	SHEET FORMAT
GENERAL TOLERANCES		ISO 725-1		Very Coarse	
ISO 725-1		Very Coarse		SHEET FORMAT A3	
DESIGNED BY		VALIDATED BY		DATE	
M MAILLO		A. S.		09.11.2015	
12130654		REVISOR		SCALE	
PROPOSED BY:		M. MAILLO		ISSUE DATE:	

# EASY 500 HP W, B, DD



P1: 40 / 20mm  
 P3: 155 / 45mm  
 P4: 165 / 95mm

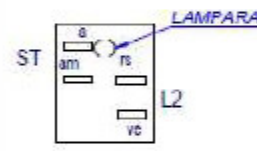
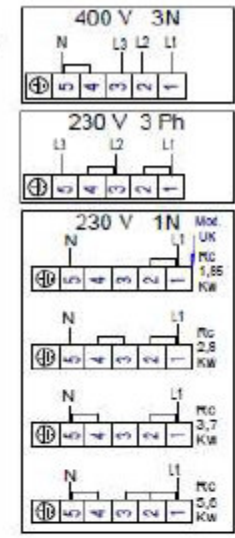
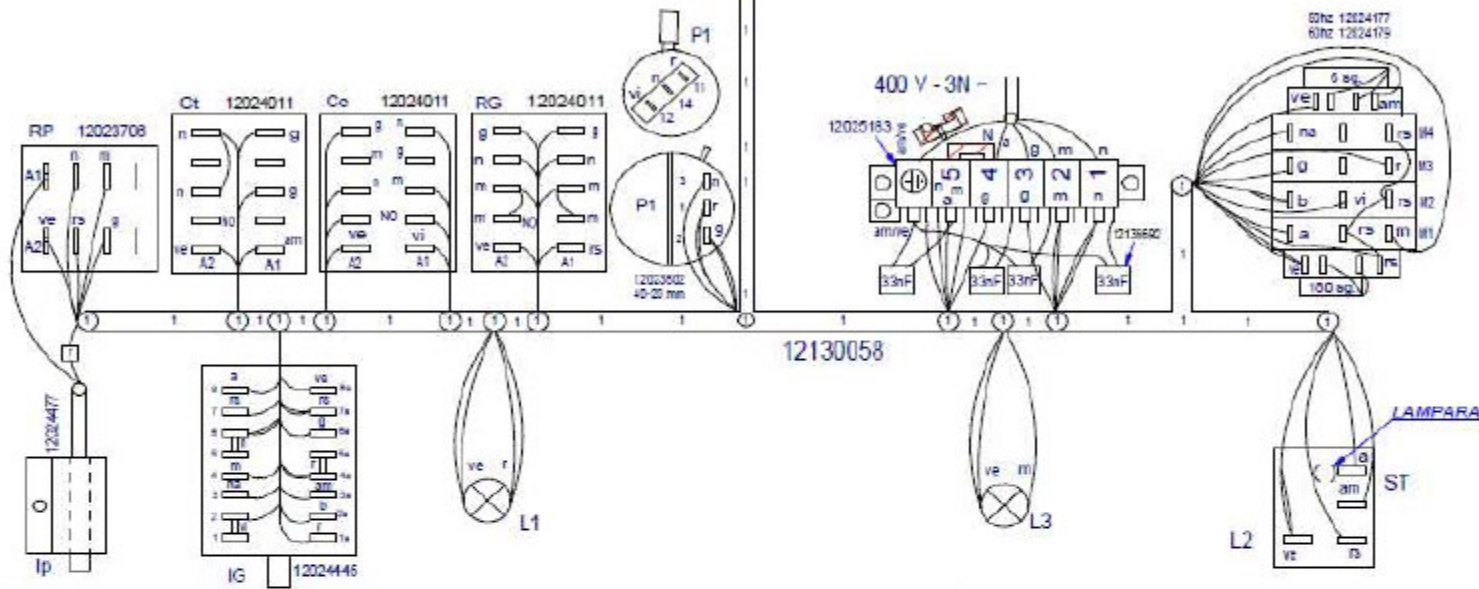
I G	1	2	3	4	5	6	7	8
	1a	2a	3a	4a	5a	6a	7a	8a
I G		X		X	X			X
0								
90	X		X	X		X	X	X
180	X			X	X	X	X	X



12130659

Esquema tecnico Easy 600 W HP				12130659	
IP	TITULO	QTY	CODE	MATERIAL	
GENERAL CHARACTERISTICS		ISO 2769-1		Very Coarse	
Size	276	276	276	276	276
Max	276	276	276	276	276
Min	276	276	276	276	276
ISO 2769-2	ISO 2769-2	ISO 2769-2	ISO 2769-2	ISO 2769-2	ISO 2769-2
LAVAVAJILLAS		DESIGNED BY	VALCARRERA	DATE	09.11.2015
12130659		R.MAILLO	A.G.	SCALE	1 / 1
PROPOSED BY		M.MAILLO	ISSUE DATE		

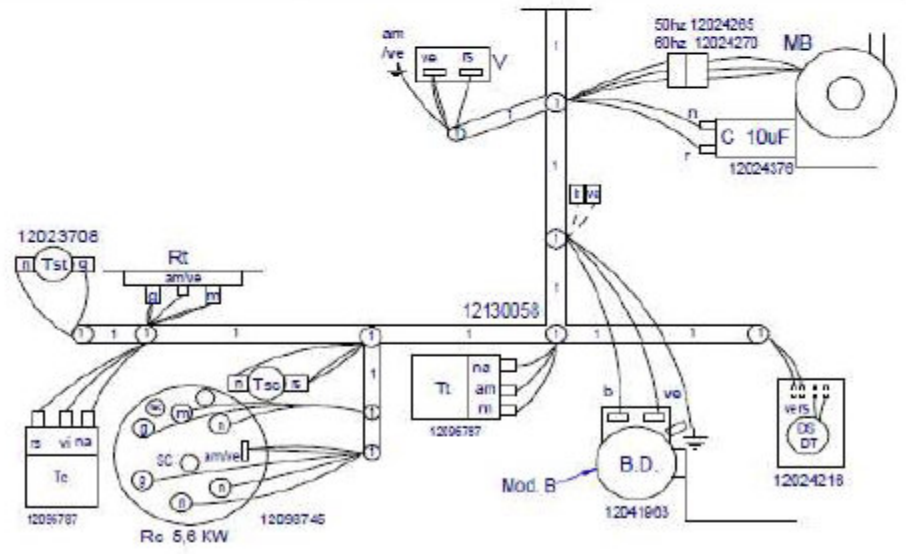
ESQUEMA TEORICO 12130654  
 LEYENDA 12103338  
 INDICADOR DE COMPONENTES 12111079



Nota: Todos los cables hembra que quedan sin conectar se les colocaran una funda macho Q-578006

# Easy 500HP

12130748



Plano Montaje Easy 500 HP		12130748		TREATMENT	
Nº	TITULO	QTY	CODE	MATERIAL	
GENERAL TOLERANCES: ISO 2768-1		Very Coarse		SHEET FORMAT: A3	
DESIGNED BY: M. MALLO		VALEXTREBY: A. G.		DRAWN/CHECKED: ONA	
DATE: 11.11.2018		SHEET: 1 / 1		ISSUE DATE:	
12130748		PROPOSED BY: N. MAILLO		ISSUE DATE:	

	ESPAÑOL	ENGLISH	FRANCAIS	DUITSCH	ITALIANO	PORTUGUES
	Tierra de protección	Grounding	Mise à terre	Ioma de tierra? Erdung	Messa a terra	
P	Puente de Conexión	Terminal block bridge	Pontage pour bloc de jonction	Verbindungsblockanschluss	Porte di connessione	
BA	Bomba Aclarado	Rinse pump	Pompe de rinçage	Spirinital dossierpumpe	Pompa di risciacquo	
BD	Bomba desagüe	Drain pump	Pompe de vidange	Abflutpumpe	Pompa scarico	
C, C1, C2	Condensador	Capacitor	Condensateur	kondensator	Condensatore	
CMB	Contacto bomba lavado	Wash pump contactor	Contacteur pompe de lavage	Timelele	Contactore pompa lavaggio	
Cc	Contacto calentamiento Calderin	Boiler heating contactor	Contacteur chauffage surchauffeur	Kontaktschutz Waschpumpe	Contactore riscaldamento boiler	
Ct	Contacto calentamiento tanque	Tank heating contactor	Contacteur chauffage cuve	Kontaktschutz Boilerheizung	Contactore riscaldamento serbatoio	
CP	Relé puerta	Door relay	Relais de porte	Kontaktschutz Heizung tank	Relé porte	
Da, Abr	Dosificador Ablandador	Dispenser	Distributeur	Klarspülmittel dosierpumpe	Dosatore brillantante	
Da, Det.	Dosificador Detergente	Detergent dispenser	Distributeur de détergent	Dosierer Spülmittel	Dosatore detersivo	
F	Fusible	Fuse	Fusible	Fuse	Fusibile	
H1	Lampara encendido	Operation light	Voyant fonctionnement	Betriebsanzeigelampe	Spia accensione	
H2, H3	Lampara de marcha	Start light	Voyant démarrage	Startenzigelampe	Spia avvio	
H3	Lampara maquina preparada	Light machine ready	Voyant machine prêt	Betriebsbereitschaftsanzigelampe	Pilota macchina preparata	
H4	Lampara falta Sal	Lamp salt missing	Lampe absence sel	Lampe Mangel Salz	Spia sale mancante	
HRS	Sistema recuperador energia	Heat Recovery System	Système de récupération de chaleur	System für Hitze-Rückgewinnung	Sistema con recupero di calore	
IG	Interruptor general	Main switch	Interrupteur général	Hauptschalter	Interruttore generale	
IP	Micro puerta	Door microswitch	Micro porte	Mikroschalter Tür	Micro porta	
let	Pulsador marcha	push button start	bouton de démarrage	Schalter (Ein)	Pulsante inizio	
L1 L2 L3	Fases Conexión Eléctrica	Power Supply Phases	Phases de alimentation	Stromanschussfase	Fasi di alimentazione	
MD1, MD2	Bomba lavado	Wash Pump	Pompe de lavage	Waschpumpe	Pompa lavaggio	
M	Motor Programador lavado	Wash timer Motor	Programmeur Moteur lavage	Motor Programmiervorrichtung	Motore programmatore	
Max.R	Motor Avance rapido Prg. Lav	Fast Forward Motor Prg. Wash	Moteur Avance rapide Prg. Lav	Motor Programmiervorrich Betrieb	Motore programmatore avanzamento rapido	
M1, 2, 3, 4, 5	Motor Programador Lavado	Wash Programmer switch	levier micro-programmeur	Motor Programmiervorrich Spülen	Micro programmatore di lavaggio	
M20, 21, 22, 23	Programador Regeneración	Regeneration Timer	Programmeur régénération	Regenerierungsprogramm	Timer di regenerazione	
P	Puerta	Electric bridge	Porte électrique	Elektrischesleg	Porte elettrico	
P1	Presostato Tanque	Tank Pressure switch	Pressostat de cuve	Tank Druckwächter	Pressostato serbatoio	
P2	Presostato Bomba desague	Drain pump Pressure switch	Pressostat de Pompe de vidange	Abflutpumpe Druckwächter	Pressostato pompa scarico	
P3	Presostato Calderin	Boiler Pressure switch	Pressostat de surchauffeur	Boiler Druckwächler	Pressostato boiler	
PRG	Programador Electrónico	Electro programmer	Programmeur électronique	Elektronischer Programmierer	Programmatore elettronico	
PRG P2	Puerta Soft Start	Soft Start Jumper	Soft Start Cavalier	Soft Start Bracke	Porte Soft Start	
Re	Resistencia Calderin	Boiler heating element	Resistance surchauffeur	Heizwiderstand Boiler	Resistenza boiler	
RG	Relé General	Main Relay	Relais principal	Stromversorgungsanschluß Gener.	Relé generale	
RST	Relé Marcha	Start up relay		Relais	Relé inizio	
Rt	Resistencia tanque	Tank heating element	Resistance cuve	Heizwiderstand tank	Resistenza serbatoio	
SC	Sonda Temperatura Calderin	Boiler temperature sensor	Surchauffeur capteur de température	Temperatursensor Boiler	Boiler sonda temperatura	
ST	Sonda Temperatura tanque	Tank temperature sensor	Cuve capteur de température	Temperatursensor Tank	Serbatoio sonda temperatura	
TC	Termostato Calderin	Boiler thermostat	Thermostat surchauffeur	Thermostat kessel	Termostato boiler	
Tmp	Temporizador	Timer	Minuteur	Timer	Timer	
TRF	Transformador	Transformer	Transformateur	Transformator	Trasformatore	
TSC	Termostato Limitador Calderin	Boiler Hi-limit thermostat	Thermostat Limiteur surchauffeur	Begrenzer Boiler	Limitatore boiler	
TST	Termostato Limitador tanque	Tank Hi-limit thermostat	Thermostat Limiteur de cuve	Begrenzer tank	Limitatore serbatoio	
TT	Termostato tanque	Tank thermostat	Thermostat de cuve	Thermostat tank	Termostato serbatoio	
V	Electrovalvula llenado	Water solenoid valve	Electrovanne d'eau	Elektroventil Füllen und Spülen	Elettroval riempimento e risciacquo	
VF	Electrovalvula agua Fria	Water solenoid valve	Electrovanne d'eau	Elektroventil Füllen und Spülen	Elettroval riempimento e risciacquo	
VR1, VR2, VR3, BR	Electrovalvulas Regeneración	Regeneration solenoid valve	vanne de régénération	Regenerierventil	Valvola di rigenerazione	
	<b>COLOR</b>	<b>COLOUR</b>	<b>COULEURS</b>	<b>FARBEN</b>	<b>COLORE</b>	
a	= BLU	Azul	Bleu	Blaü	Blu	
am	= YEL	Amarillo	Yellow	Jaune	Gelb	Giallo
am/vs	= YEL/GRN	Amarillo/Verde	Yellow / green	Jaune / vert	Gelb grün	Giallo/ verde
b	= WHT	Blanco	White	Blanc	Weiß	Bianco
g	= ORY	Oro	Oréy	Ors	Oräu	Oro
m	= BRN	Marron	Brown	Marron	Braun	Marrone
n	= BLK	Negro	Black	Noir	Schwarz	Nero
na	= ORG	Naranja	Orange	Orange	Orange	Arancio
r	= RED	Rojó	Red	Rouge	Rot	Rosso
ra	= PNK	Rosa	Pink	Rose	Rosa	Rosa
va	= GRN	Verde	Green	Vert	Grün	Verde
vi	= PRP	Violeta	Purple	Pourpre	Violet	Viola