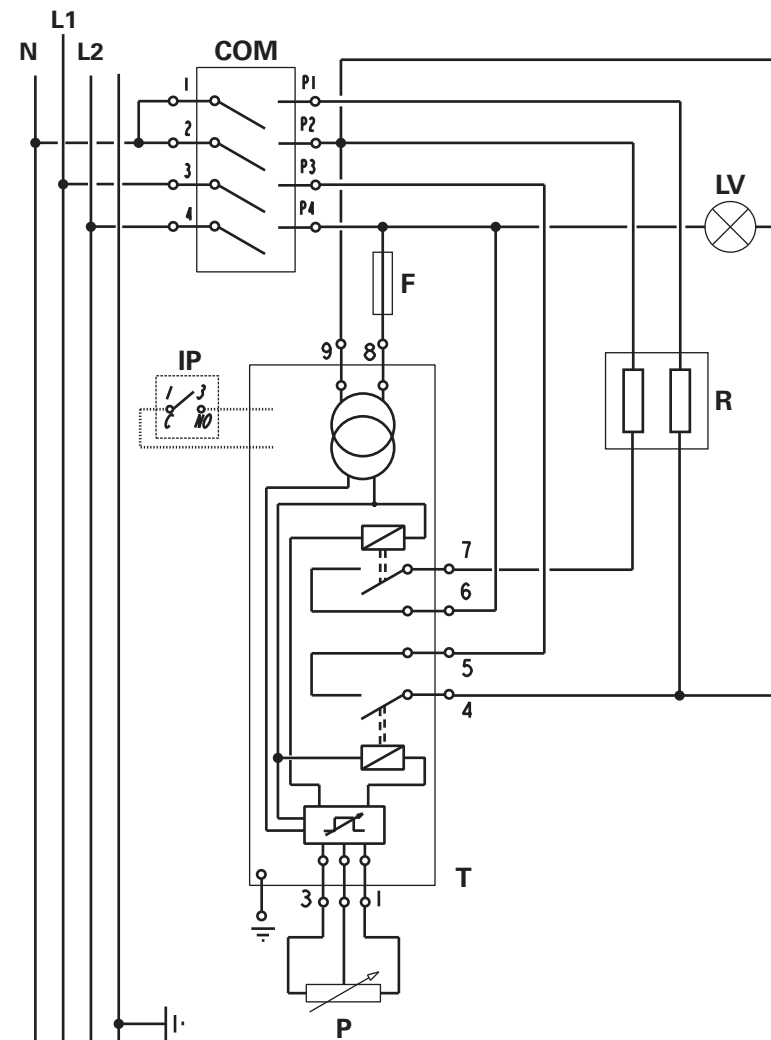
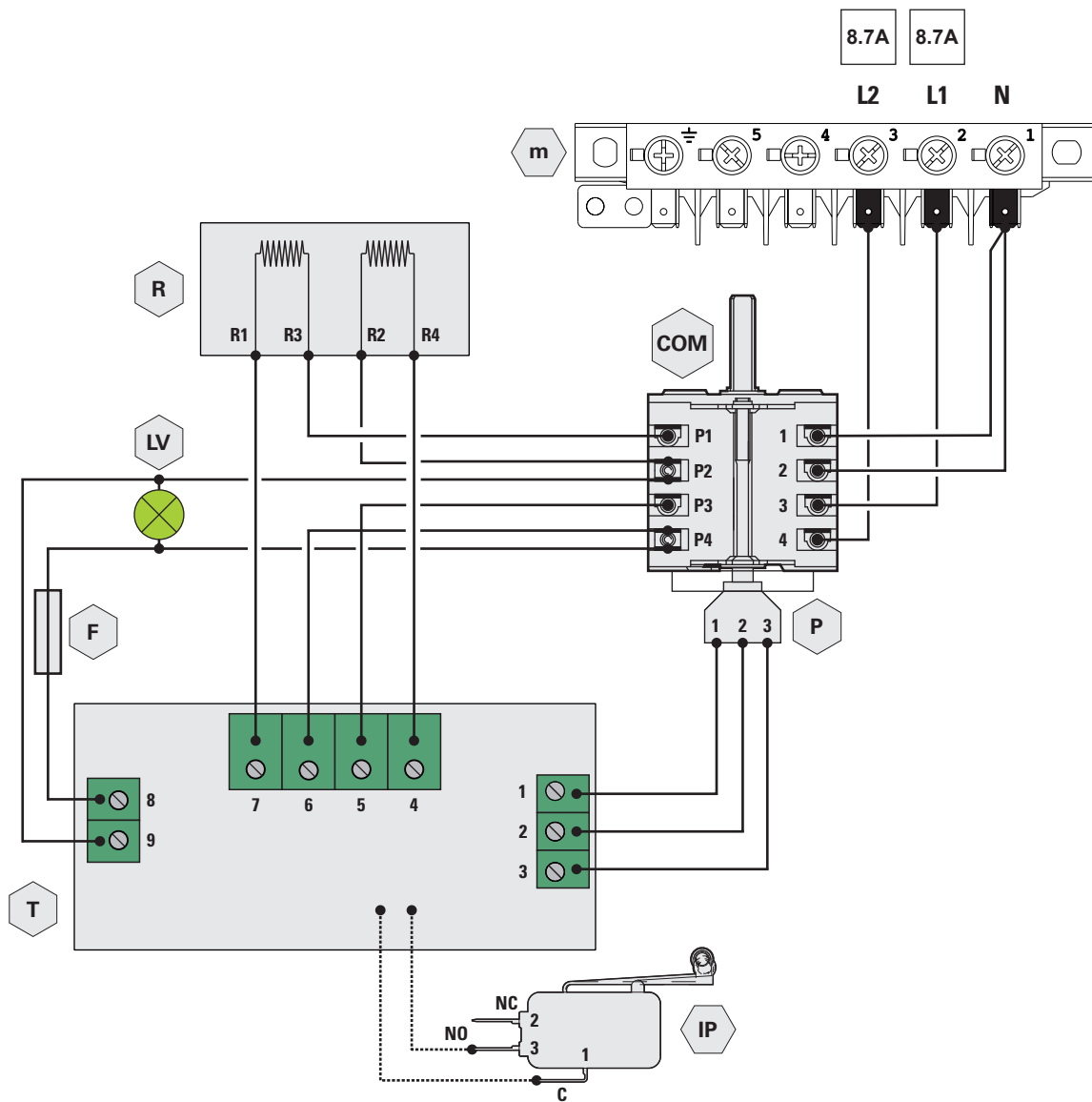


# SCHALTPLAN



KBS Gastrotechnik GmbH – Schoßbergstraße 26 – 65201 Wiesbaden



- F : fusibile / fuse
- N : neutro / neutral
- L : fase / phase
- COM : interruttore / main switch
- R : resistenza / heating element
- T : timer elettronico / electronic timer
- P : potenziometro / potentiometer
- m : morsettiera / main terminal block
- LV : lampada verde tensione / green voltage lamp
- IP : microinterruttore (solo modelli QSET micro switch (only for QSET))

DRAWING  
5410.219.01

MODEL  
QSE60/4  
QSET60/4

380 - 415 V  
4kW

CABLE TYP  
Supply cable Min. Cross section: 5×1.5mm<sup>2</sup>  
Cable Type: H07 RN-F