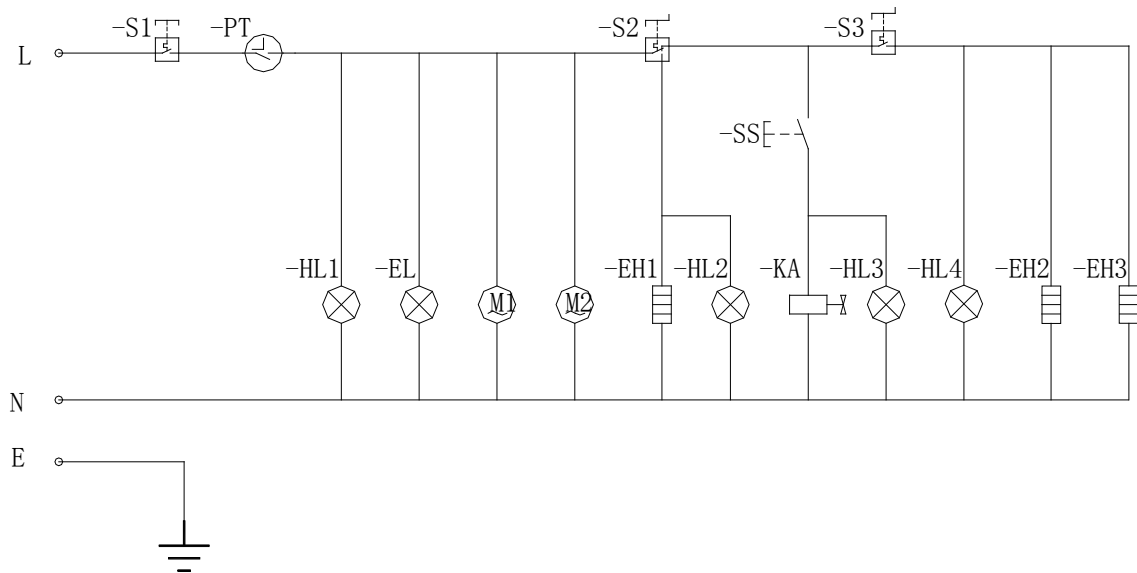


SCHALTPLAN



KBS Gastrotechnik GmbH – Schoßbergstraße 26 – 65201 Wiesbaden

YSD-4A 230V/50-60Hz/2670W (Or 2000W)



EH1---Upper Heater

EH2、EH3--- Main Heater

EL---Inside Lamp

M1、M2---Convection fan

SS---Micro-active Switch

KA---Magnetic Valve

S3---Thermostat for Main Heater

S2---Thermostat for Upper Heater

S1---Fuse

PT---Timer

HL1 ~ HL4---Pilot Light