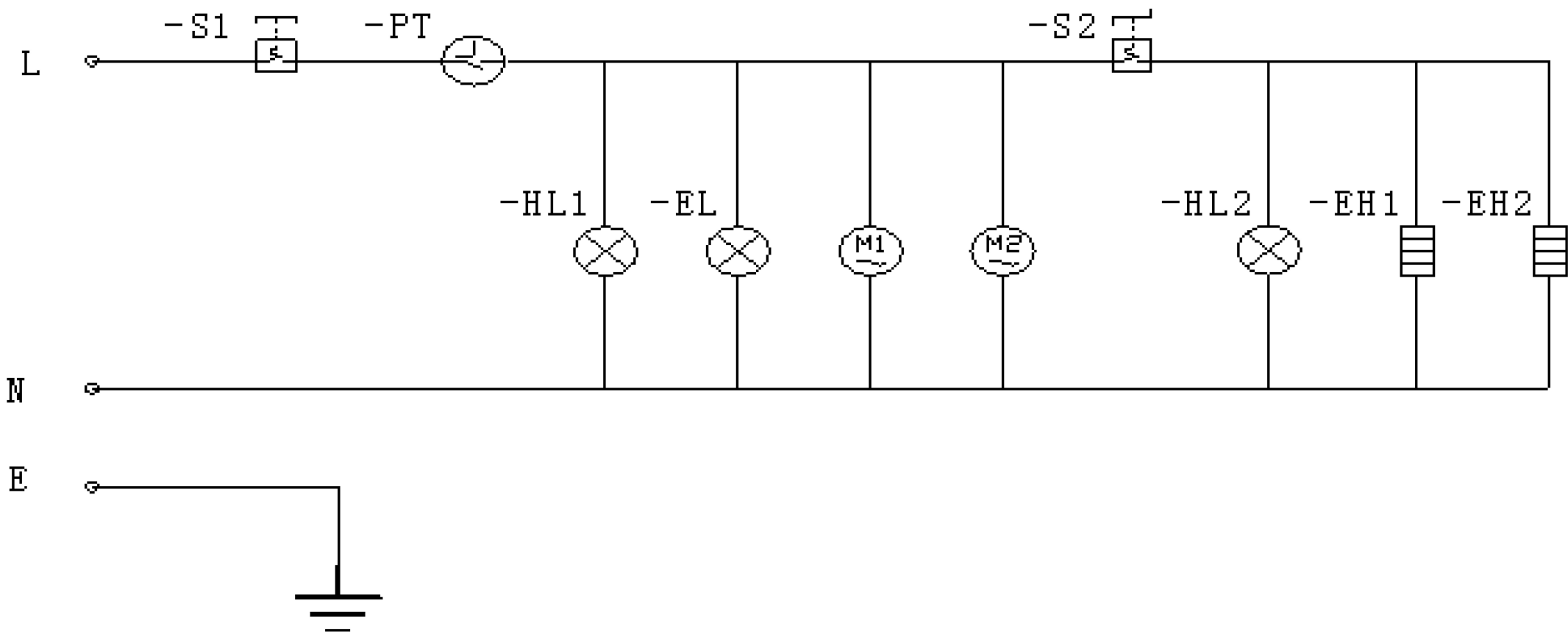


SCHALTPLAN



KBS Gastrotechnik GmbH – Schoßbergstraße 26 – 65201 Wiesbaden



EH1---upper heating element
 EH2 ---main heating elements
 EL---internal light
 M1, M2---convection fans

S2---top heating element thermostat
 S1---fuse
 PT---timer
 HL1~HL2---probe lights