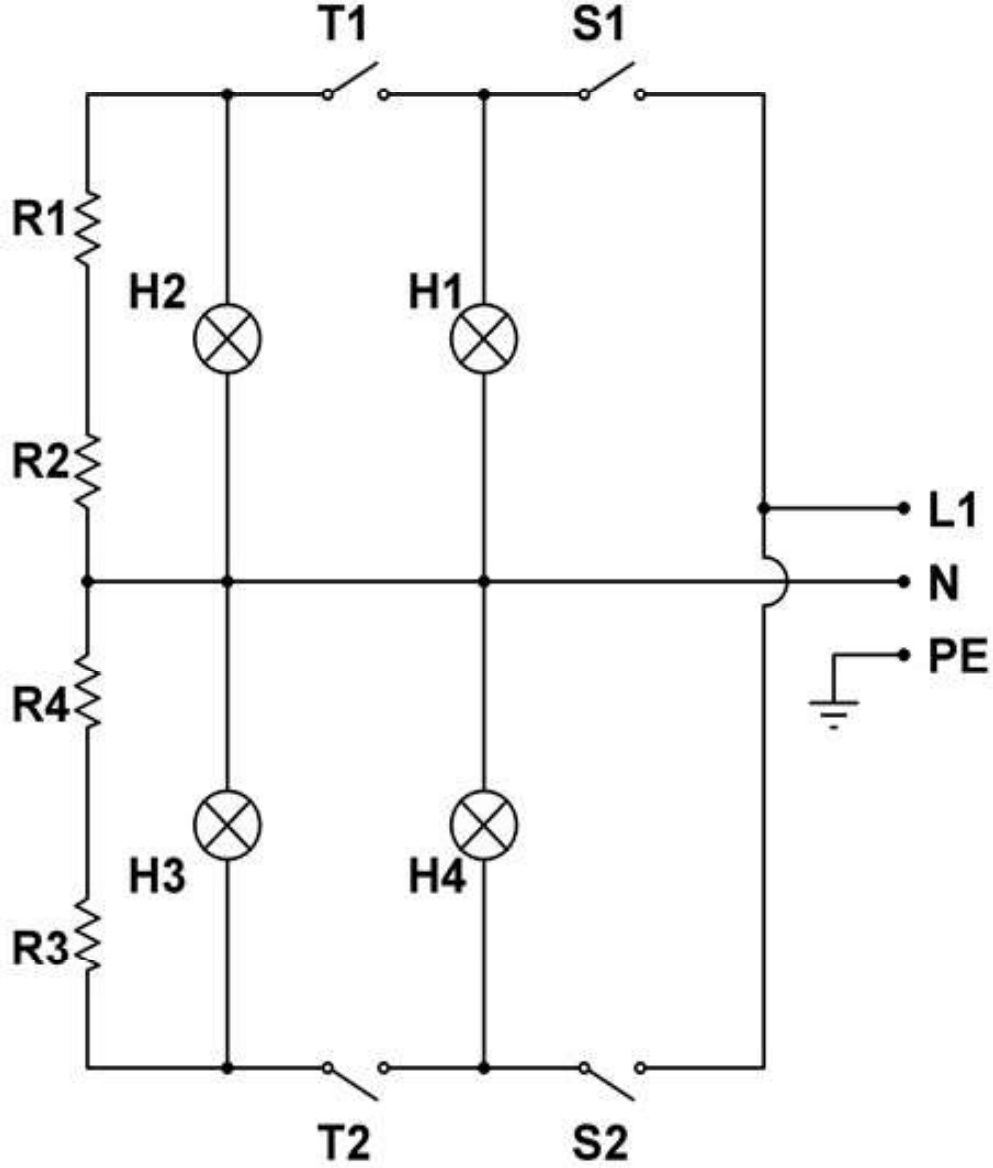


SCHALTPLAN



KBS Gastrotechnik GmbH – Schoßbergstraße 26 – 65201 Wiesbaden

KG 5530 DE - TOST MAKİNASI ELEKTRİK ŞEMASI
KG 5530 DE - CONTACT GRILL ELECTRICAL CIRCUIT DIAGRAM



NO	AÇIKLAMA / DESCRIPTION	NO	AÇIKLAMA / DESCRIPTION
R1 - R3	Rezistans / Resistance (650 W)	S1 - S2	Şalter / Power Switch
R2 - R4	Rezistans / Resistance (1100 W)	H1 - H4	Şalter Kontrol Lambası Power Switch Control Lamps
T1 - T2	Termostat / Thermostat (52 - 310 °c)	H2 - H3	Termostat Kontrol Lambası Thermostat Control Lamps